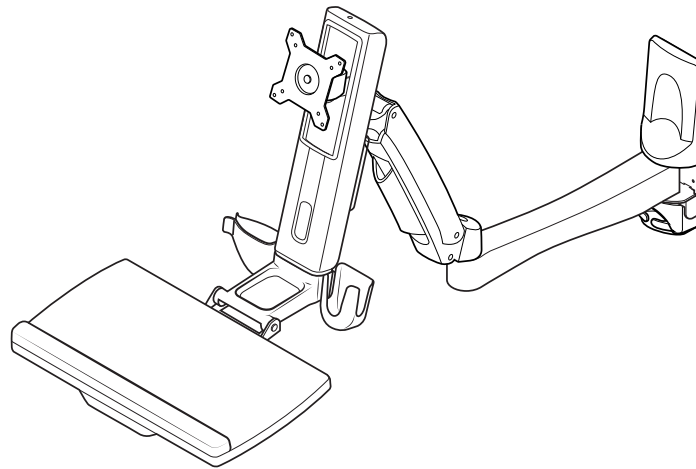
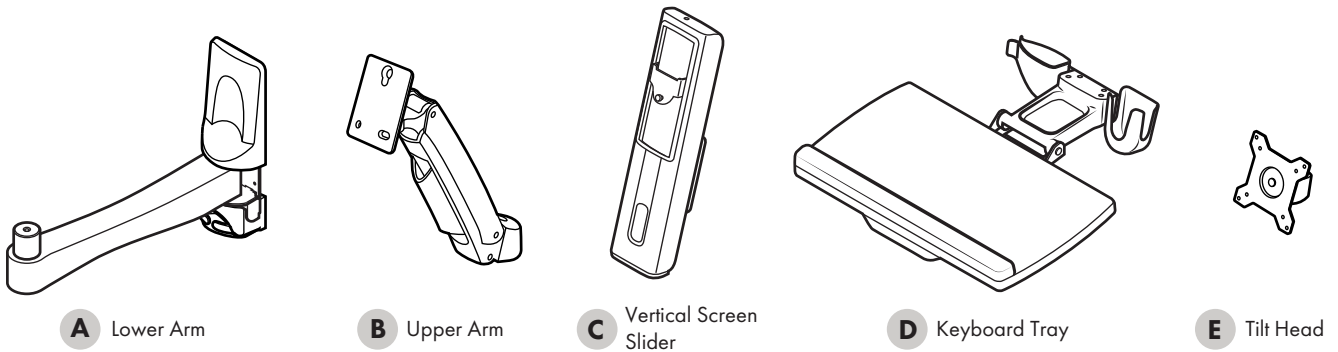


Installation Instructions Sit-to-Stand Workstation - Antimicrobial

Wall Mounted



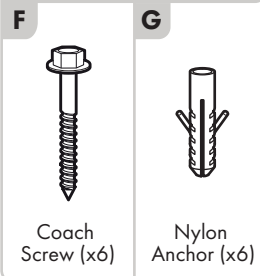
Component Checklist



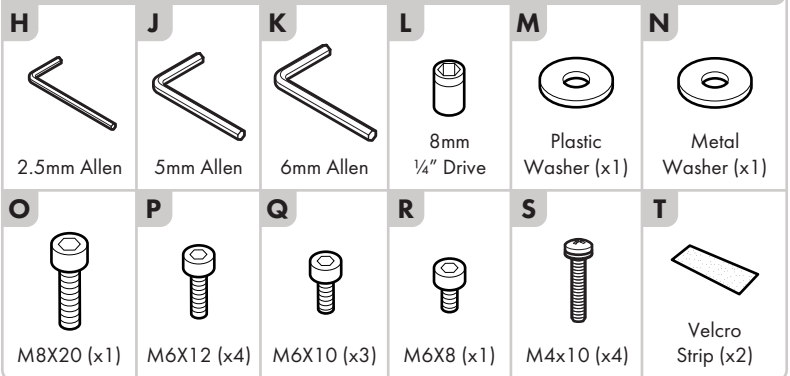
Tools Required

- 8mm wrench
- Drill
- 10mm masonry bit
- 4.5mm drill bit
- Ratchet
- Spirit Level
- Stud Finder
- Pencil

Wall Mounting Hardware



Hardware



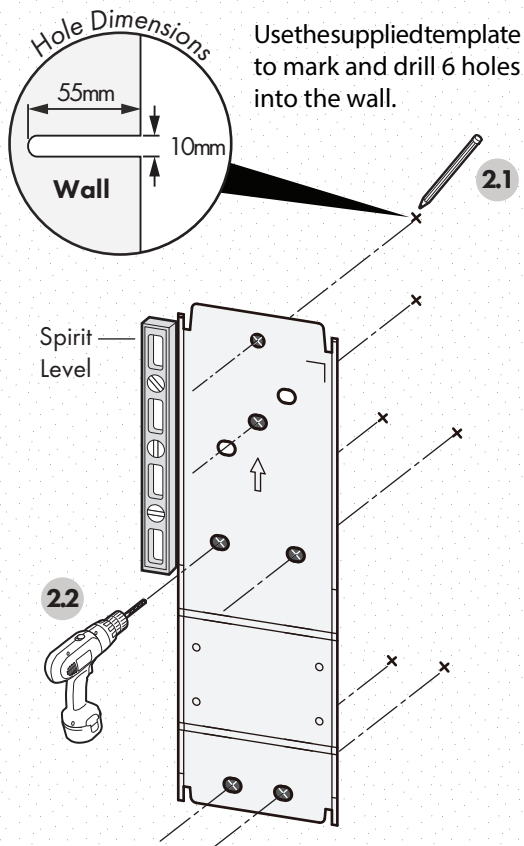
IMPORTANT INFORMATION

- ! IMPORTANT - Install as per Installation Instructions
- ! The manufacturer accepts no responsibility for incorrect installation.
- ! This product supports a maximum load 8Kg (17.6lbs.)
- ! The wall mount can be installed on vertical, flat, solid concrete or brick walls, or timber stud walls only.
- ! The wall should be strong enough to sustain a weight of at least four times that of the display and wall mount bracket combined. If in doubt, consult a structural engineer.
- ! Check wall anchors and screws every 3 months from the time of installation to ensure the workstation is firmly fixed to the wall.
- ! Tighten all screws (do not exert excessive force to avoid breaking the screws or damaging their thread)

Step 1. Check Components

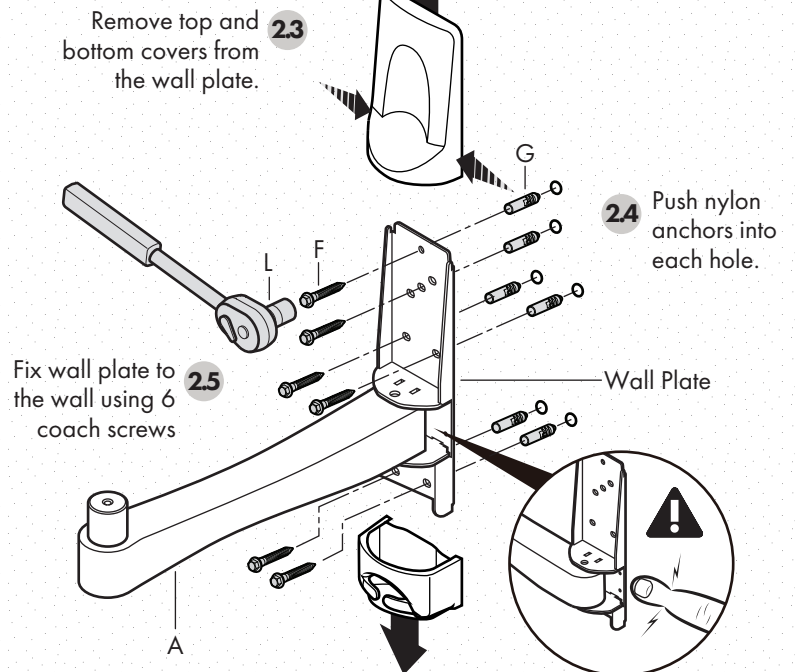
Check that you have received all parts against the Component Checklist.

Step 2. Option A - Masonry or cement wall installation



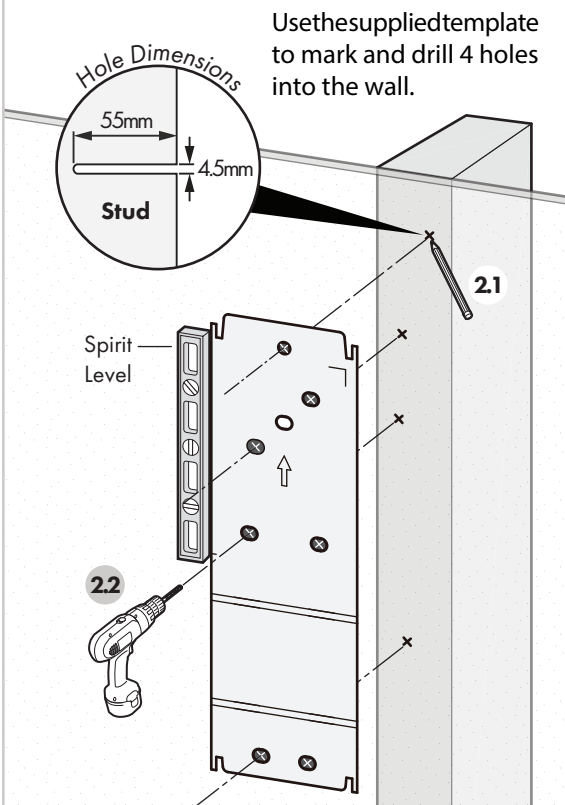
Note: For optimum performance, use a spirit level to ensure straight installation.

Two people required



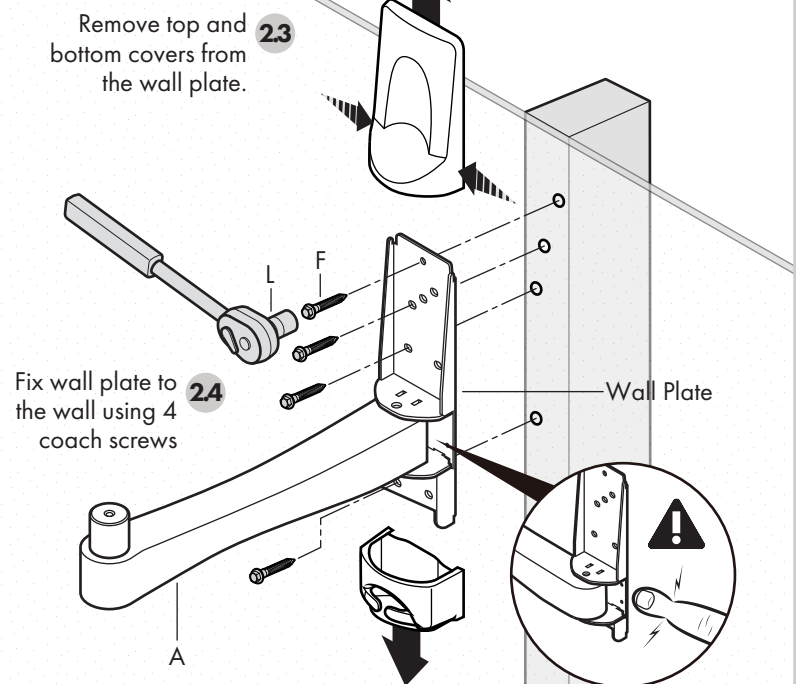
Tip: Screw in the top coach screw first.

Step 2. Option B - Stud wall installation



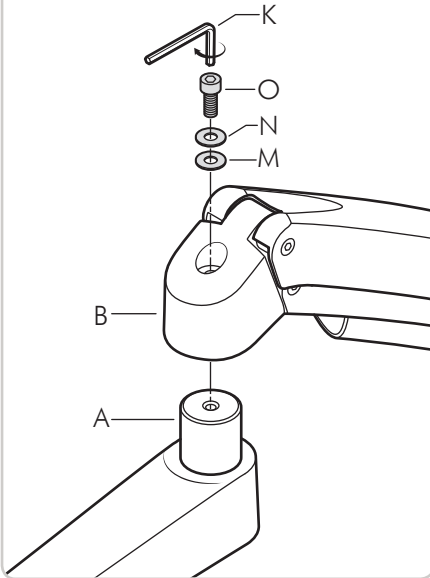
Note: Use a stud finder to ensure all holes are drilled into the stud.

Two people required

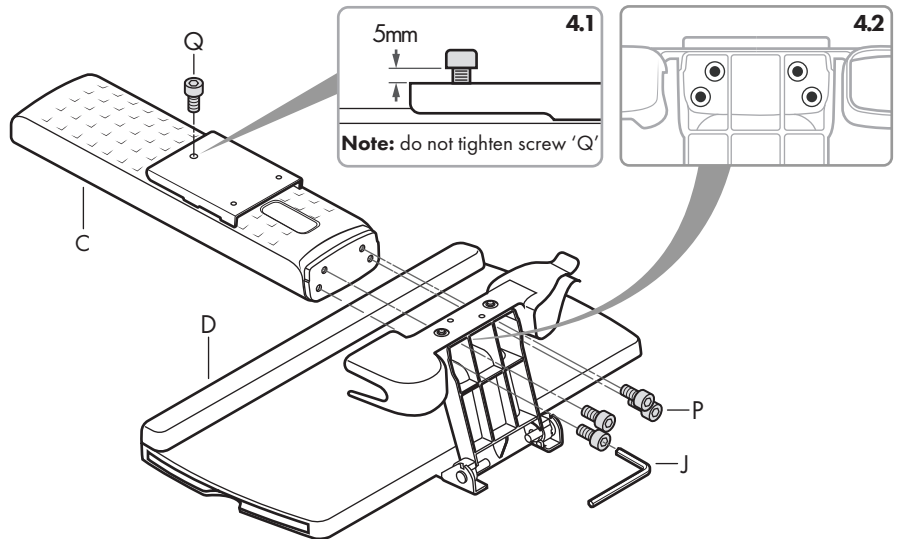


Tip: Screw in the top coach screw first.

Step 3. Assemble upper arm

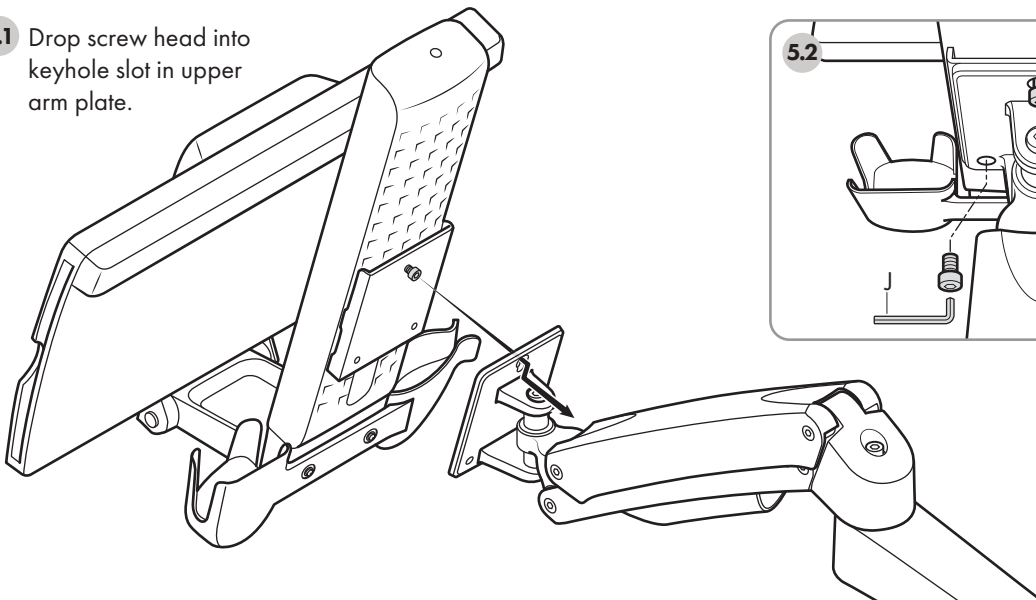


Step 4. Assemble slider to keyboard tray

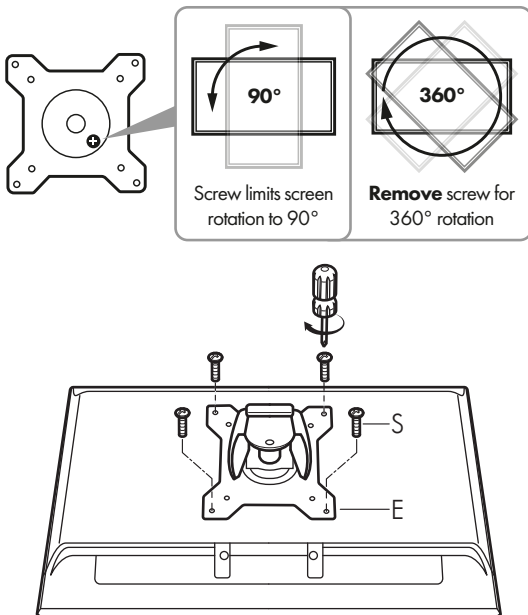


Step 5. Assemble slider to keyboard tray

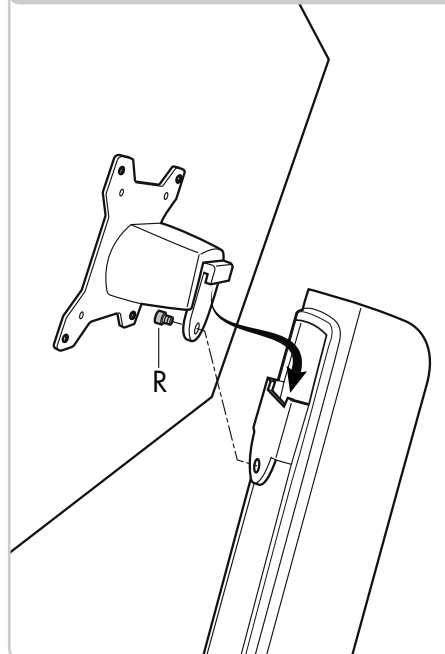
- 5.1 Drop screw head into keyhole slot in upper arm plate.



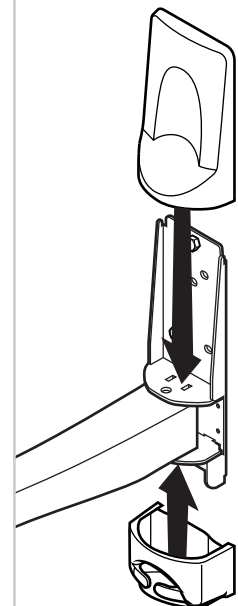
Step 6. Attach tilting head to screen



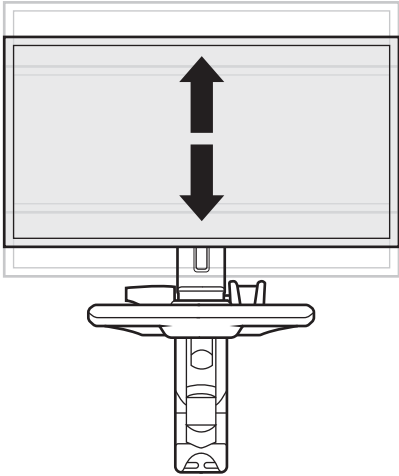
Step 7. Attach screen to arm



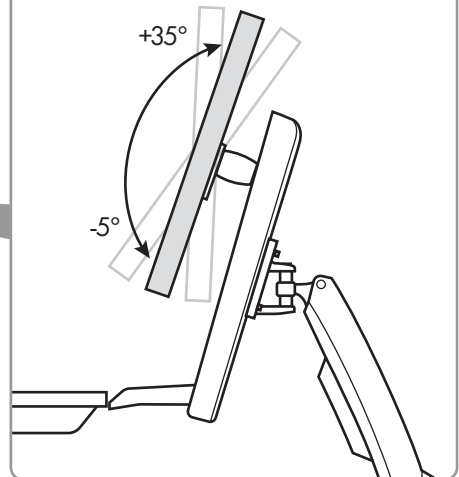
Step 8. Replace covers



Screen Height Tension



Screen Tilt Tension

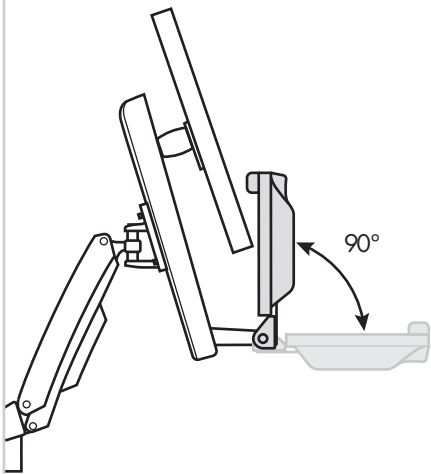


Tension Adjustment Points



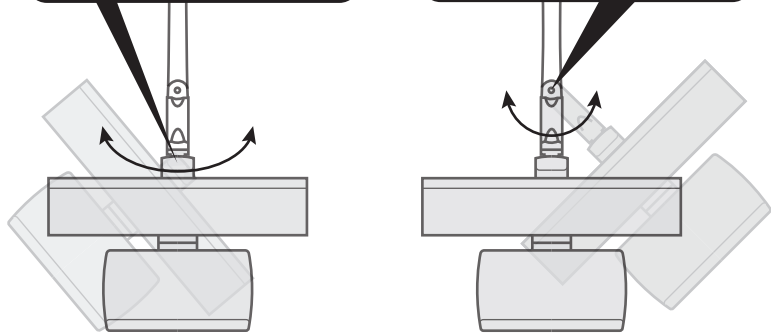
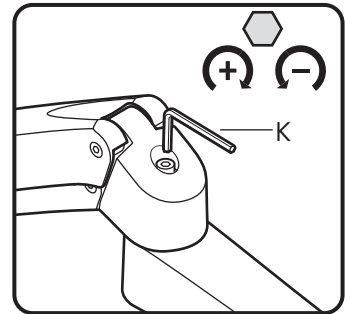
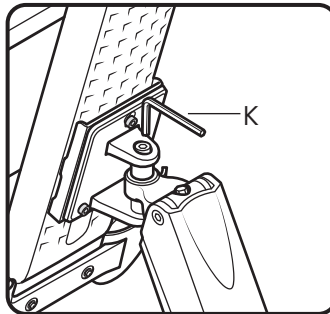
Keyboard Tray Storage

The keyboard tray can be folded away for storage.



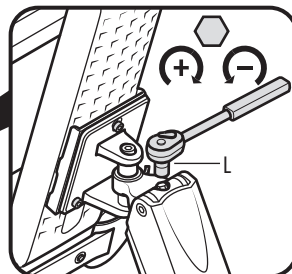
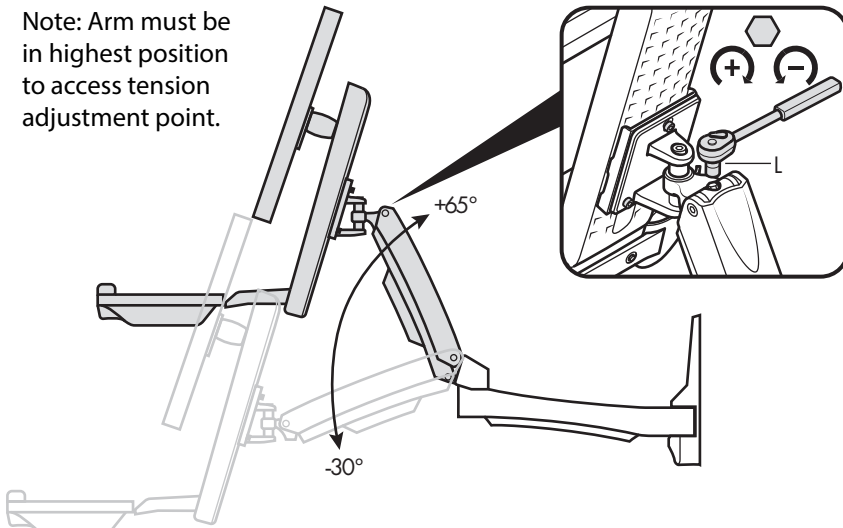
Note: Supplied velcro strips secure the keyboard when stowed.

Arm Rotation Joint Tension

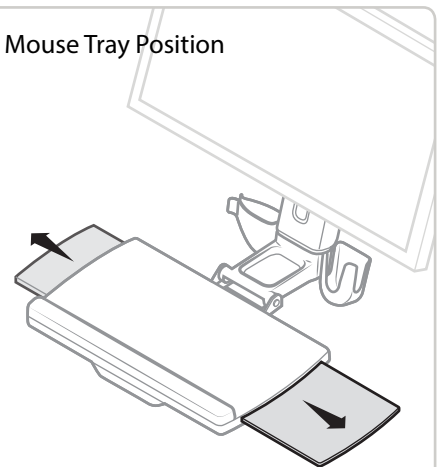


Arm Height Tension

Note: Arm must be in highest position to access tension adjustment point.

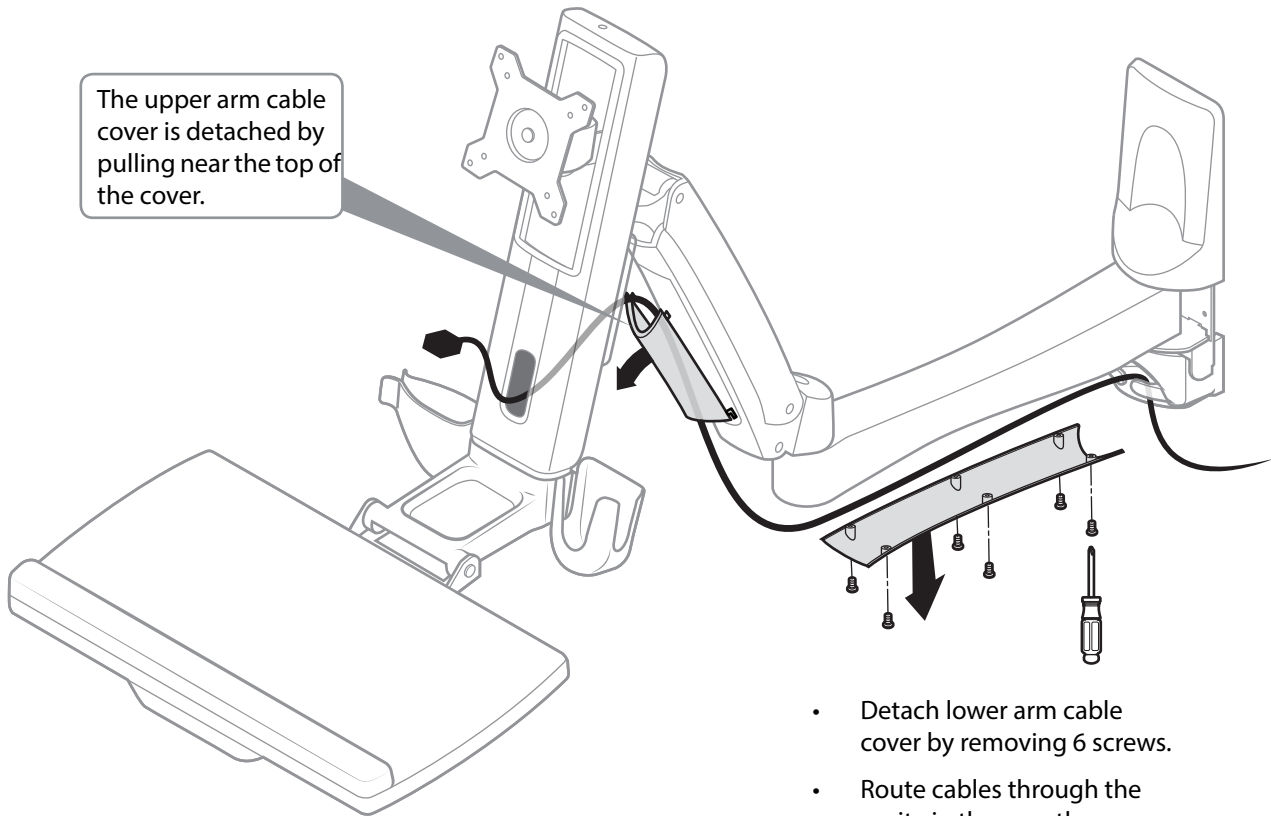


Mouse Tray Position



The mouse tray can be positioned on the left or right of the keyboard tray.

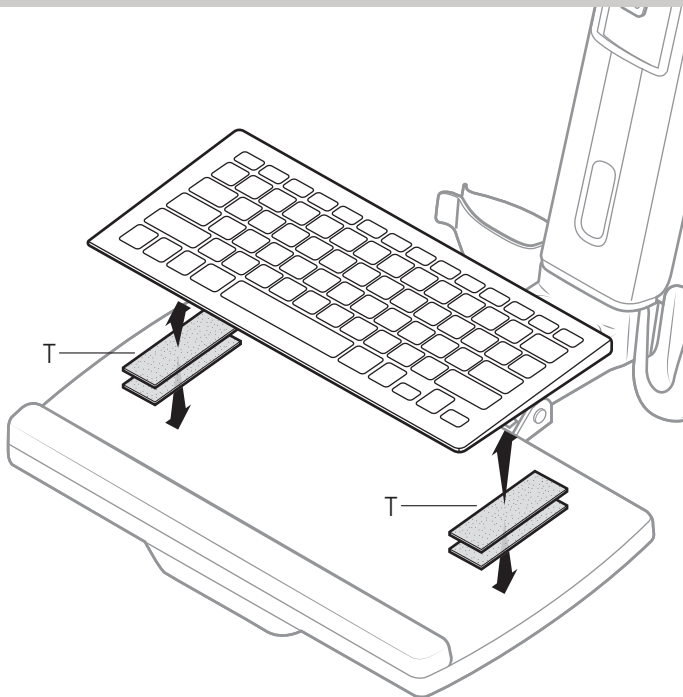
Cable Management. Route cables through arm.



Note: Ensure there is sufficient slack in the cables to accommodate the workstation's range of movement.

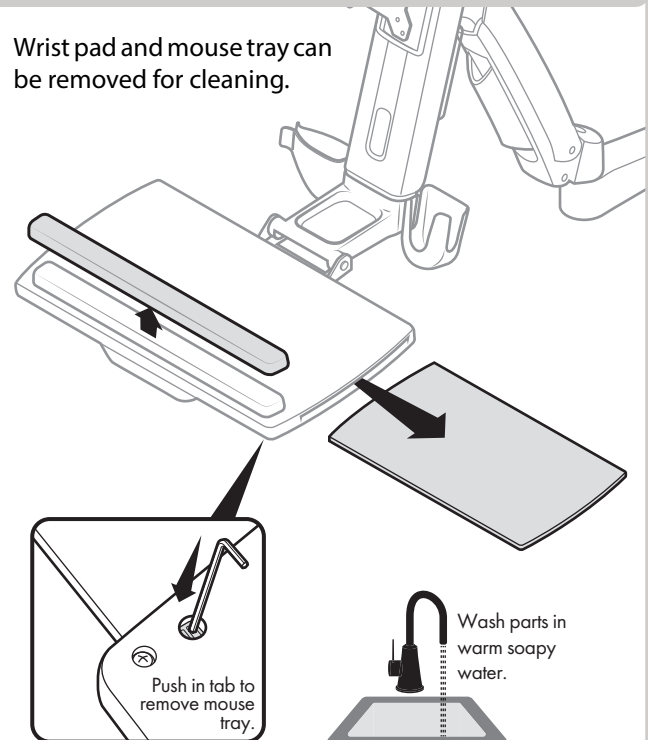
- Detach lower arm cable cover by removing 6 screws.
- Route cables through the cavity in the arm, then reattach the cover.

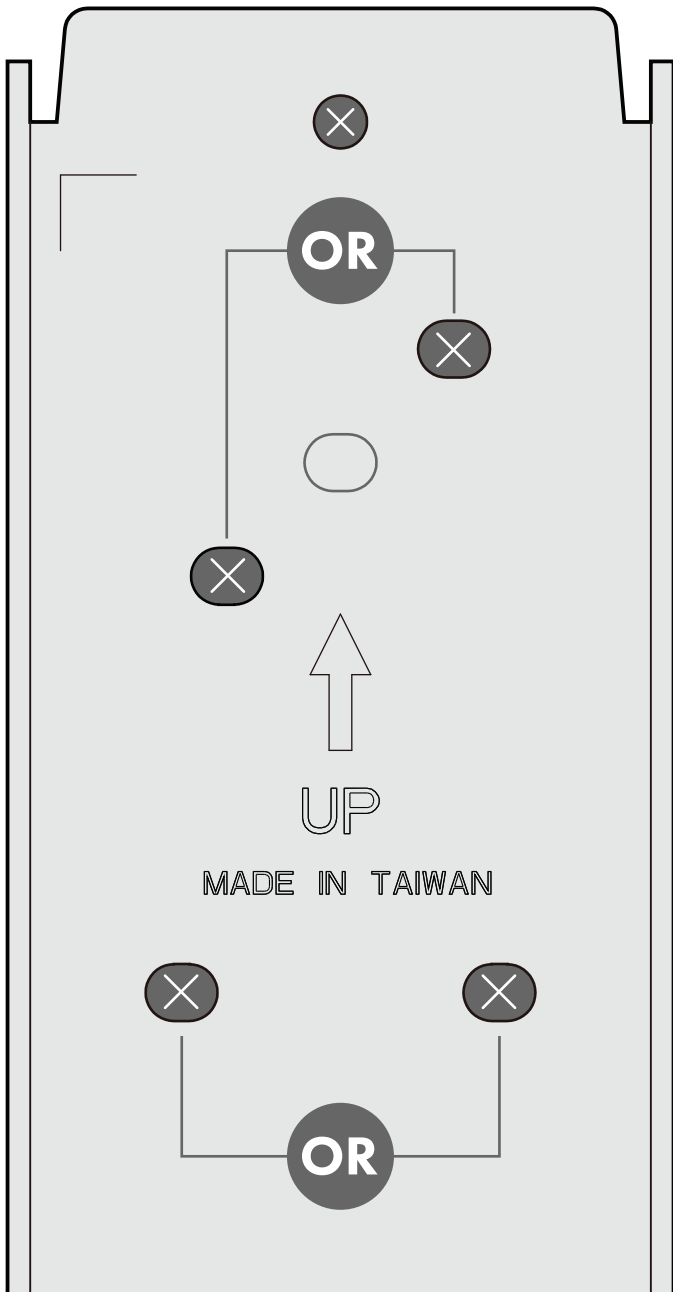
Secure Keyboard Attach velcro to keyboard and tray



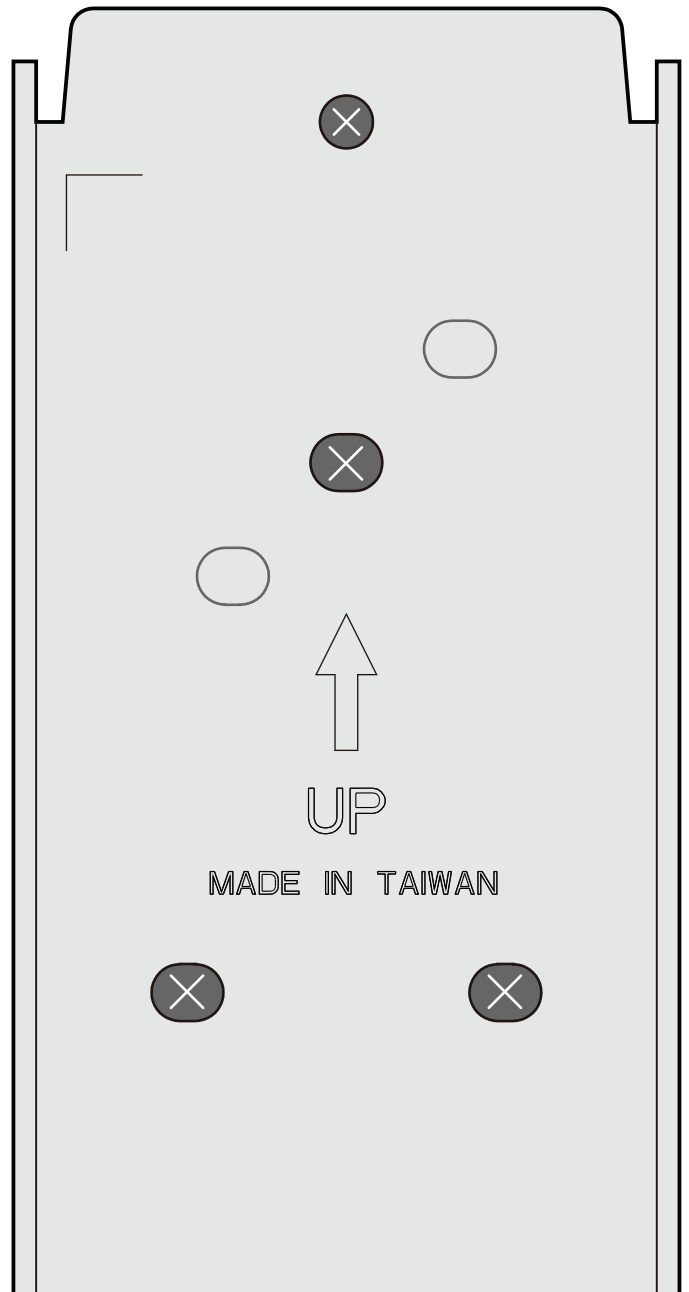
Cleaning

Wrist pad and mouse tray can be removed for cleaning.





MADE IN TAIWAN



MADE IN TAIWAN



Stud Wall

Drilling Template

Only drill holes marked with an 'X'



Masonry Wall

Drilling Template

Only drill holes marked with an 'X'

