

# Technical Specifications

# Sit-to-Stand Workstation

## Freestanding

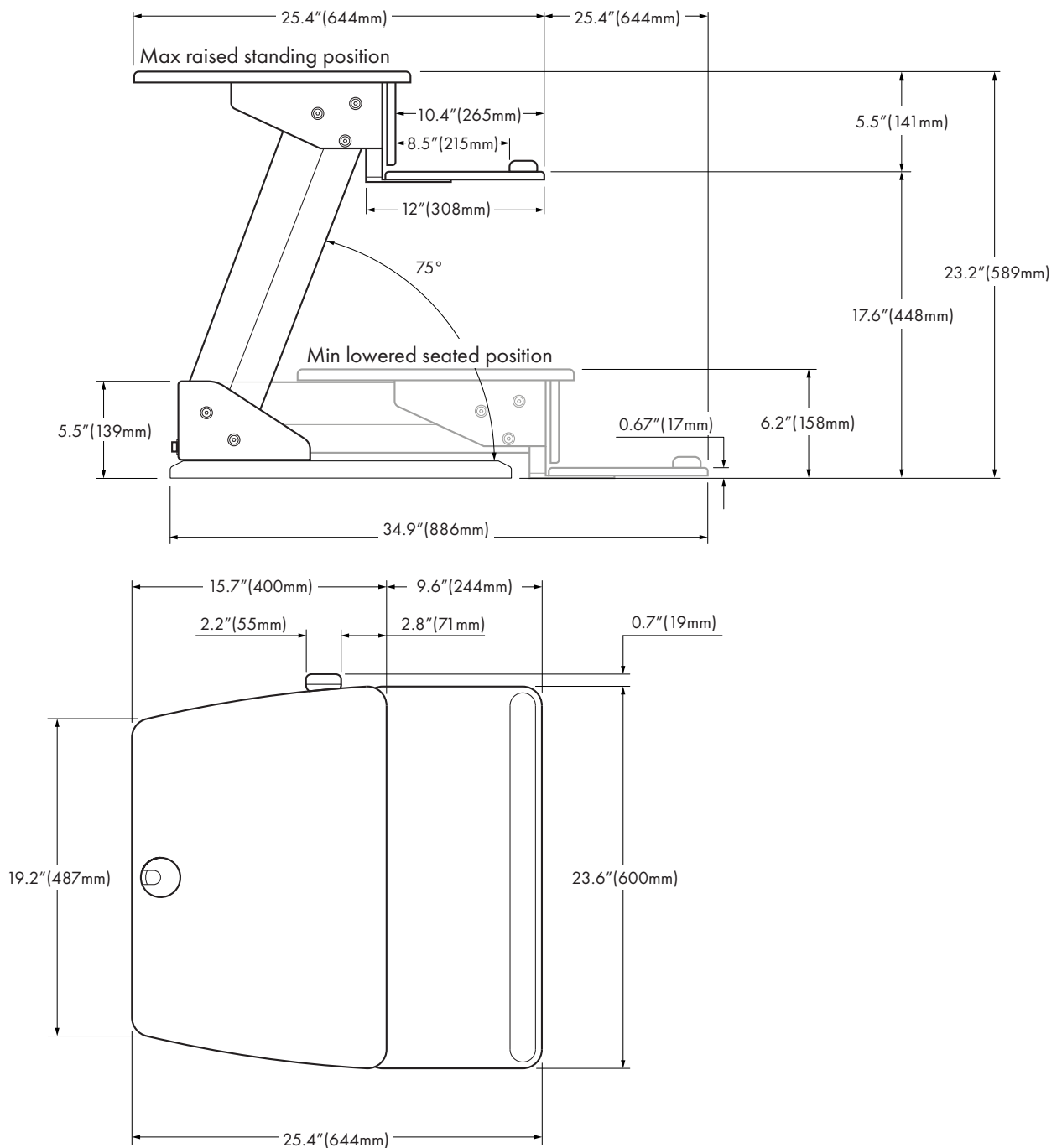
### General Features

**Maximum Load:**  
28.6lb (13.0KG)

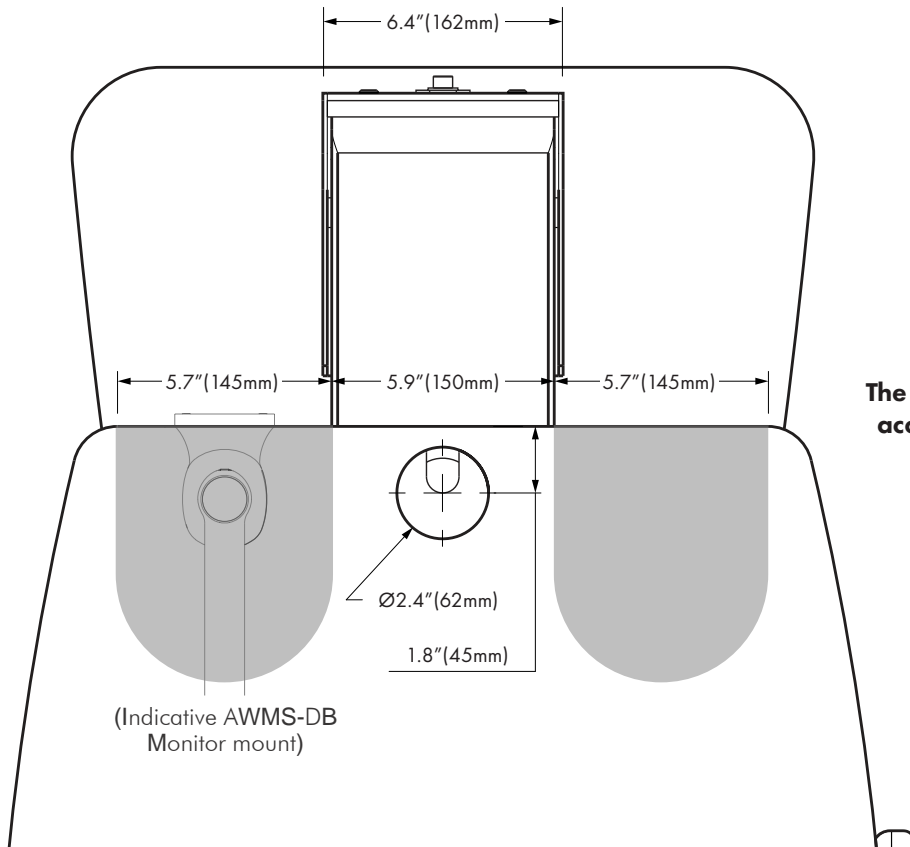
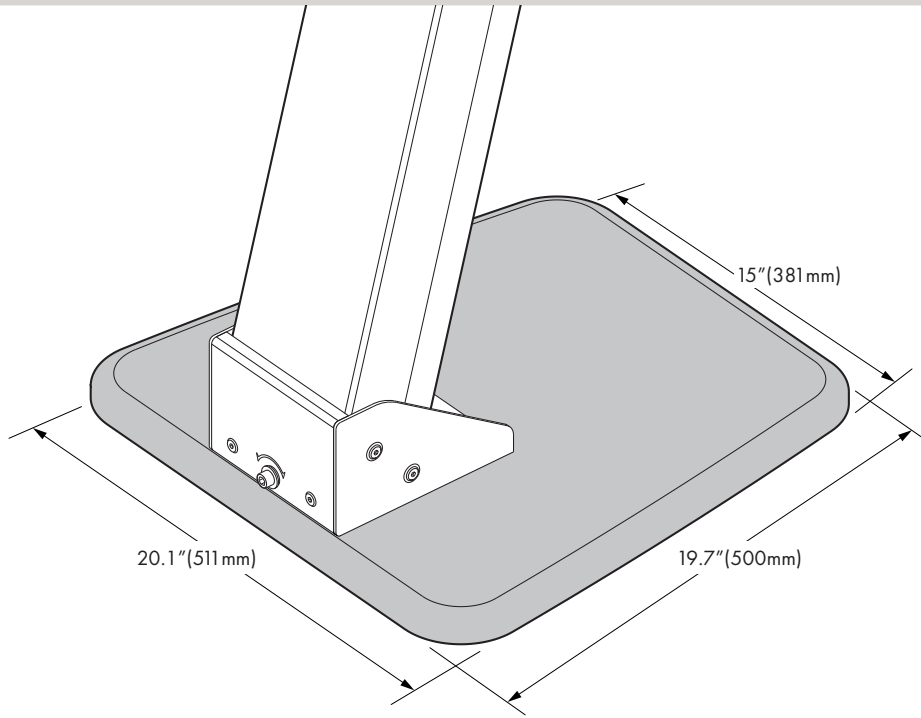
- Supports all AF- and AWM- monitor mounts (within specified load capacity)

**Included Hardware:**  
All fasteners and hardware included.

### Dimensions



## Dimensions



The shaded areas indicate where accessories can be mounted on the work surface.

