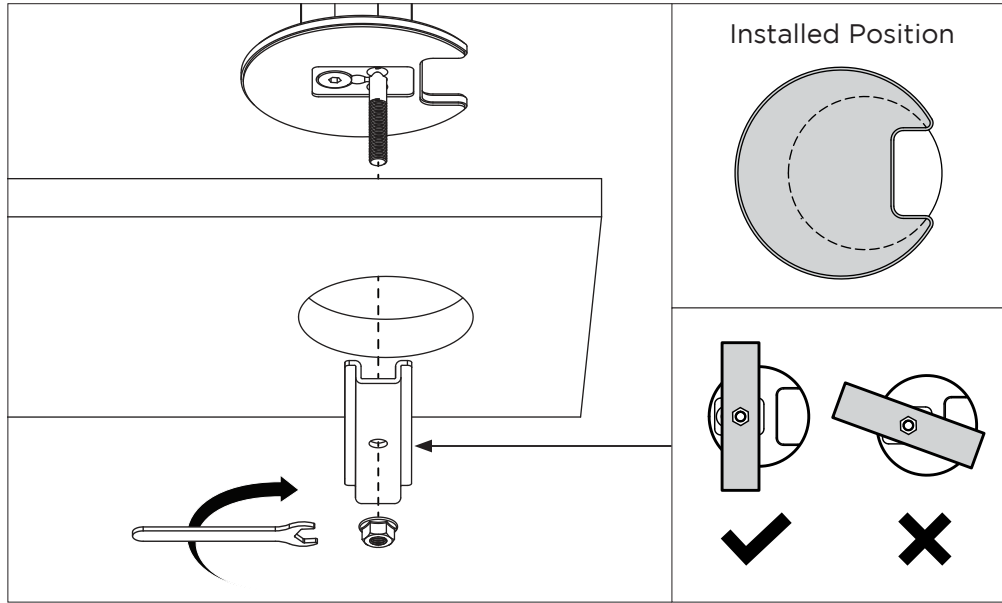
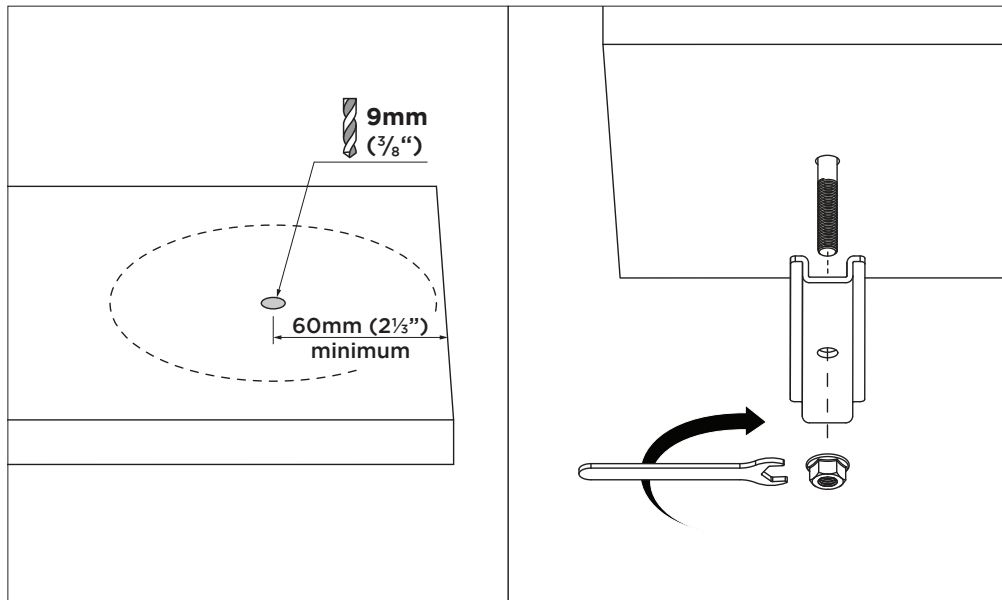


2. Attach Grommet Clamp on desk

Option A - Through grommet hole - 80mm (3 1/8") max hole diameter

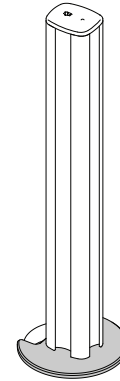


Option B - As heavy duty bolt through

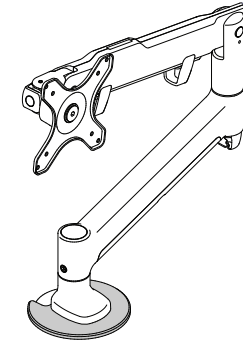


ATDEC No portion of this document or any artwork contained herein should be reproduced in any way without the express written consent of Atdec Pty Ltd. Due to continuing product development, the manufacturer reserves the right to alter specifications without notice. ©20230929

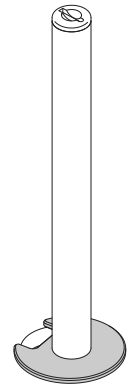
Grommet Clamp



AWM Posts
(AWM-P)

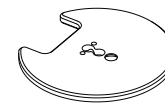


AWM Arm Base
(AWM-LB)



AF Posts
(AF-)

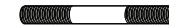
COMPONENT CHECKLIST



Clamp Plate



Clamp Bar



A
M8 Stud



B
M8x30mm
screw



C
M8x16mm
screw



D
M4x12mm
Screw (x2)



5mm Allen key



M8 Nut



13mm Spanner

TOOL REQUIRED



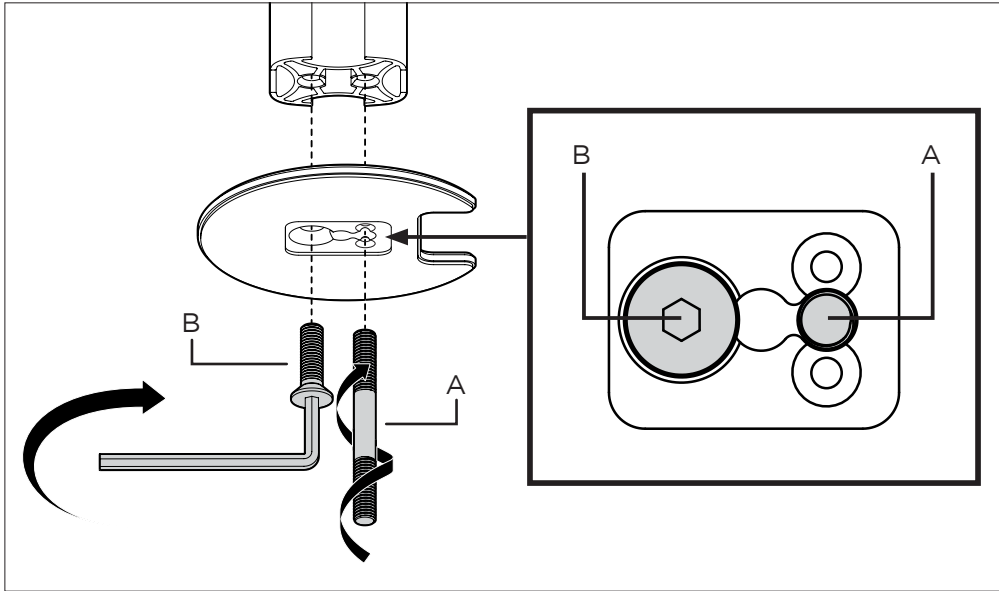
Phillips Head
Screwdriver

IMPORTANT INFORMATION

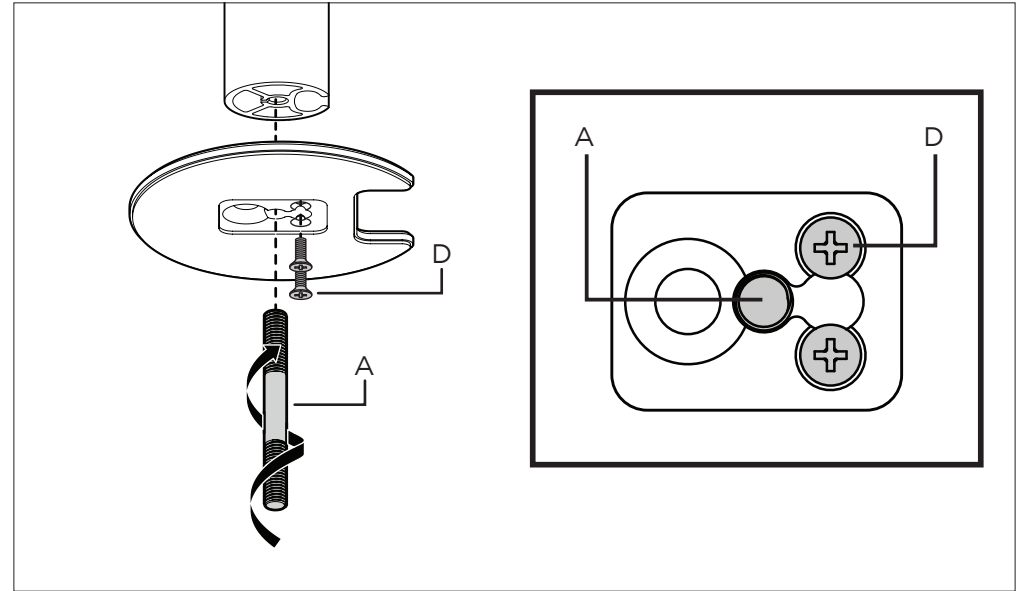
- ! Please ensure this product is installed as per these installation instructions
- ! The manufacturer accepts no responsibility for incorrect installation.
- ! This product is compatible with Atdec's AF- posts, AWM-P posts, AWM-LB Arm Base, VFS range posts, SD-DP range posts & APM range.
- ! The product is compatible with grommet hole sizes from 60-80mm
- ! The product is compatible with desk thicknesses from 18-36mm
- ! Product must only be installed on a work surface capable of supporting the weight of all equipment being mounted.

1. Attach Post or Arm Base to clamp plate

Option A - AWM Post



Option C - AF Post



Option B - AWM Arm Base

