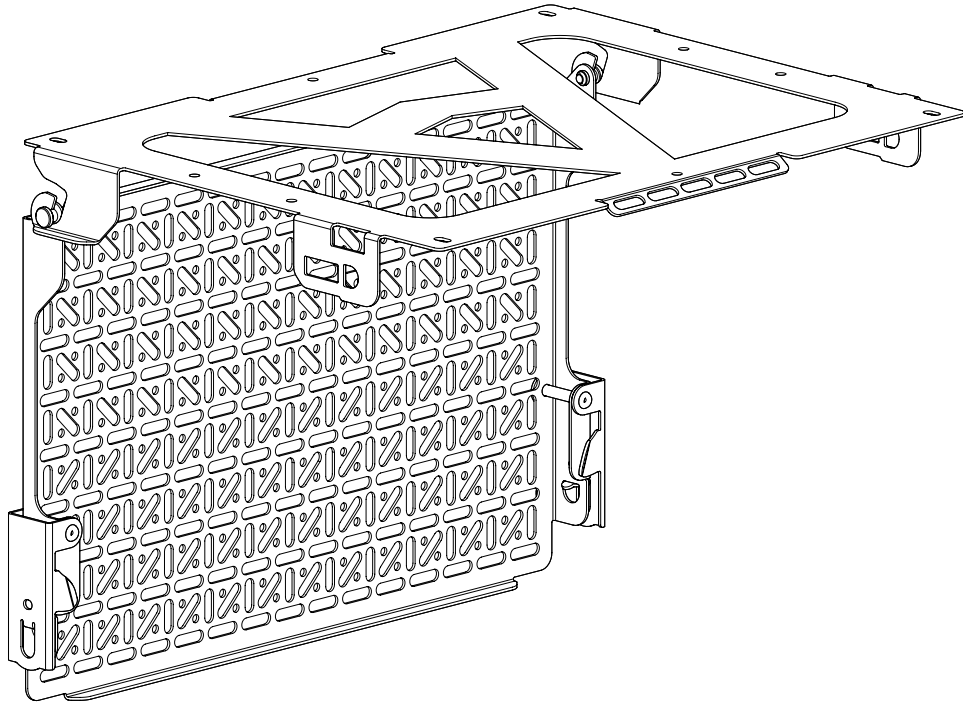


# Hinged Media Storage Panel



## FEATURES

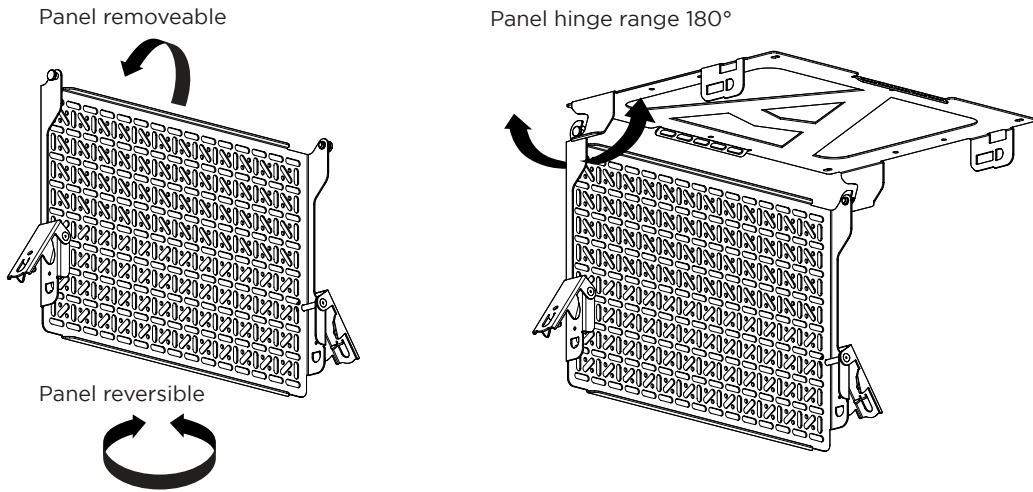
- Storage panel for fast and professional securement of components under table or desk
- Single piece mounting bracket facilitates simple installation
- Removable panel allows components to be attached on or off-site
- Reversible panel gives choice to expose or enclose components - or use both sides of panel for double the space
- Hinging panel provides comfortable vertical access for component access and maintenance
- Securely closes without fasteners
- Universal mounting hole pattern allows for a variety of component fixing methods (screws, cable ties, hook & loop strip)
- Anti-tamper design with optional addition of securing screw, cable tie or padlock

<b>Weight capacity</b>	8kg (17.5lbs)
<b>Component mounting area</b>	394x268mm (15.5x10.6")
<b>Component depth</b>	
<b>Enclosed</b>	54mm (2.1")
<b>Exposed</b>	Unlimited
<b>Component mounting</b>	Universal hole pattern 75x75 100x100 200x200
<b>Primary material</b>	Steel

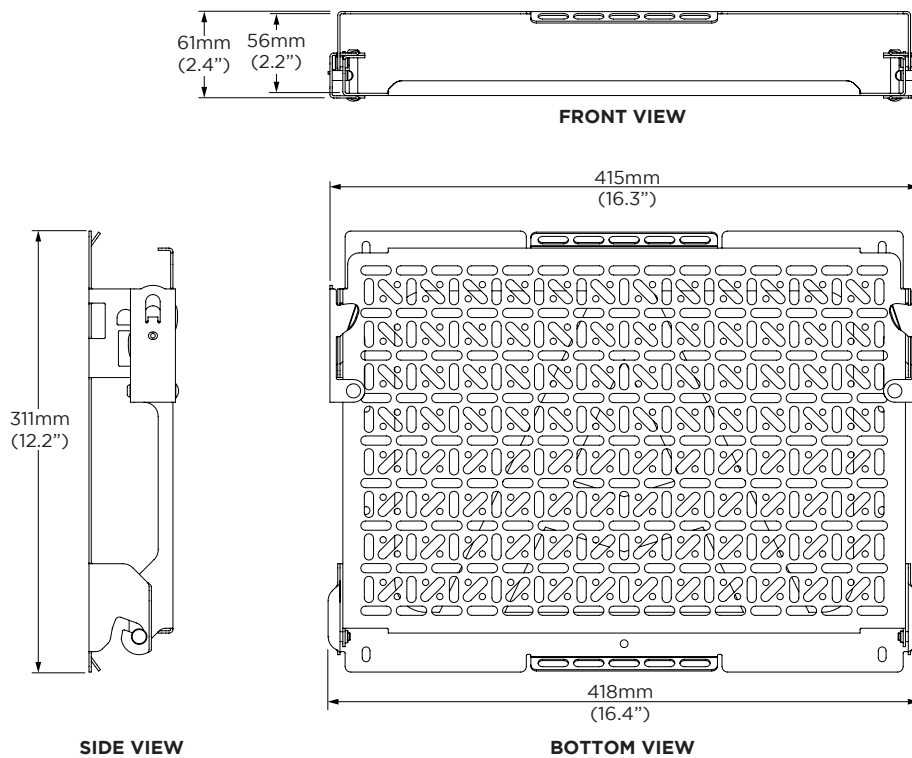
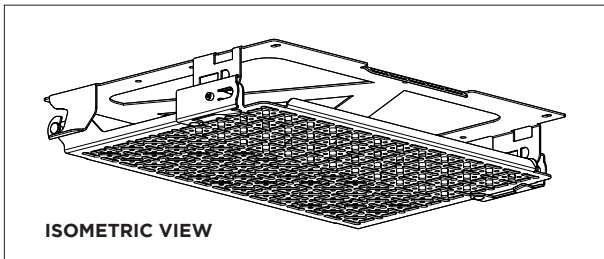
## WARRANTY

10 years limited

## MOVEMENT



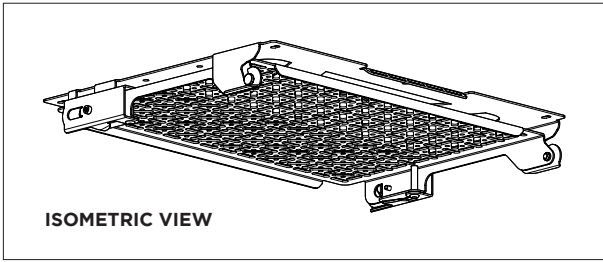
## DIMENSIONS ENCLOSED COMPONENT CONFIGURATION



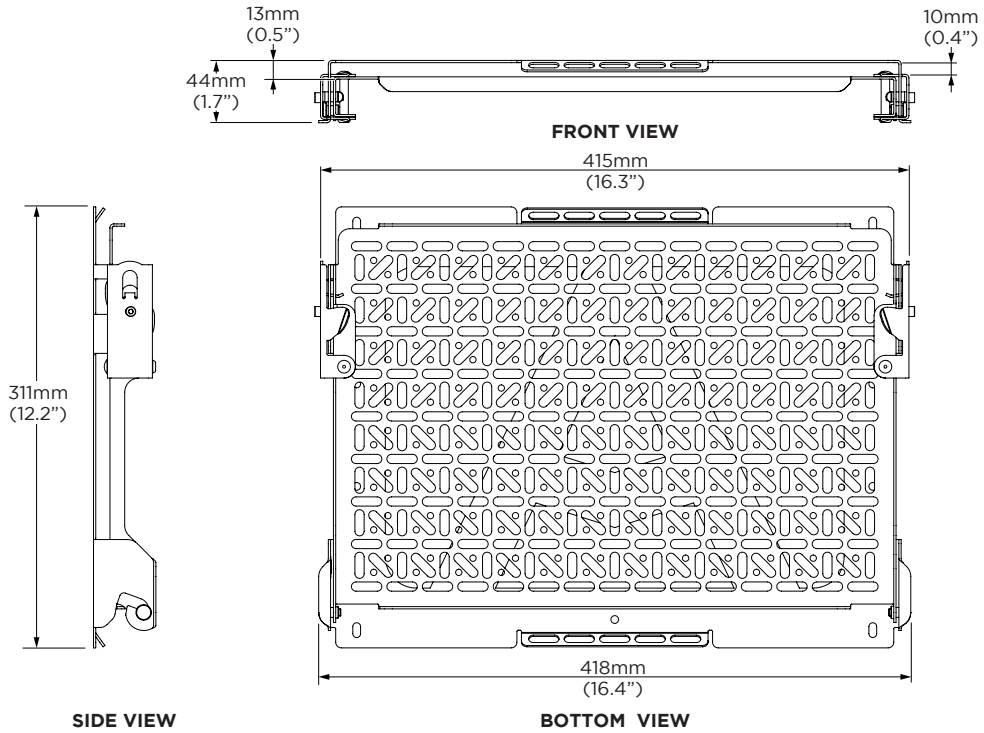
### HINT:

Create extra mounting space in this configuration by attaching components to top and bottom of panel

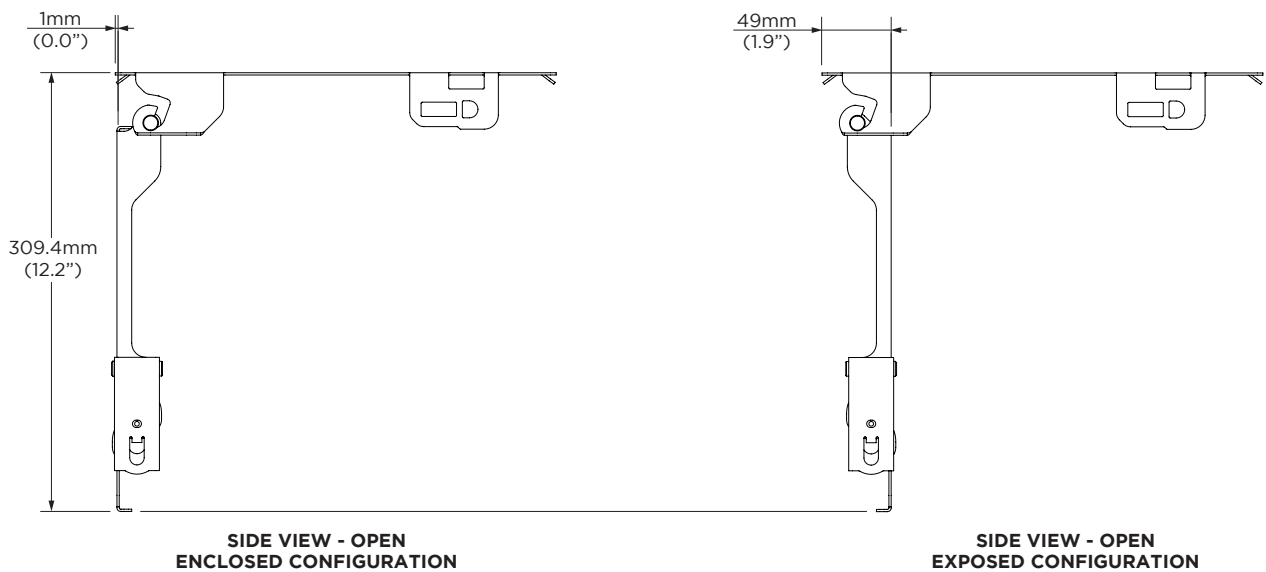
## DIMENSIONS EXPOSED COMPONENT CONFIGURATION



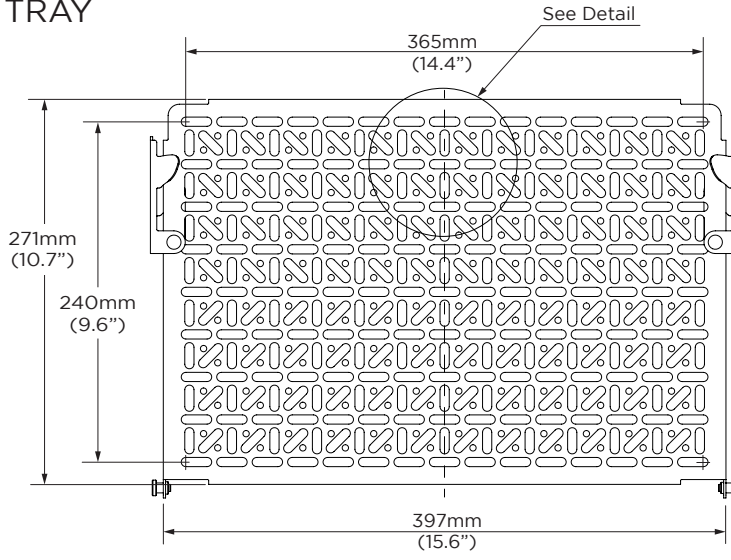
**HINT:**  
10mm (0.4") gap allows for cables to run along the back of the tray



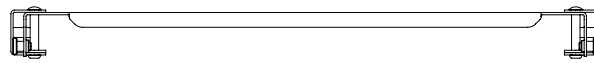
## DIMENSIONS OPEN



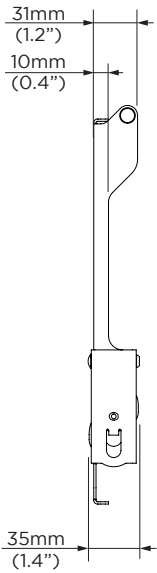
# DIMENSIONS TRAY



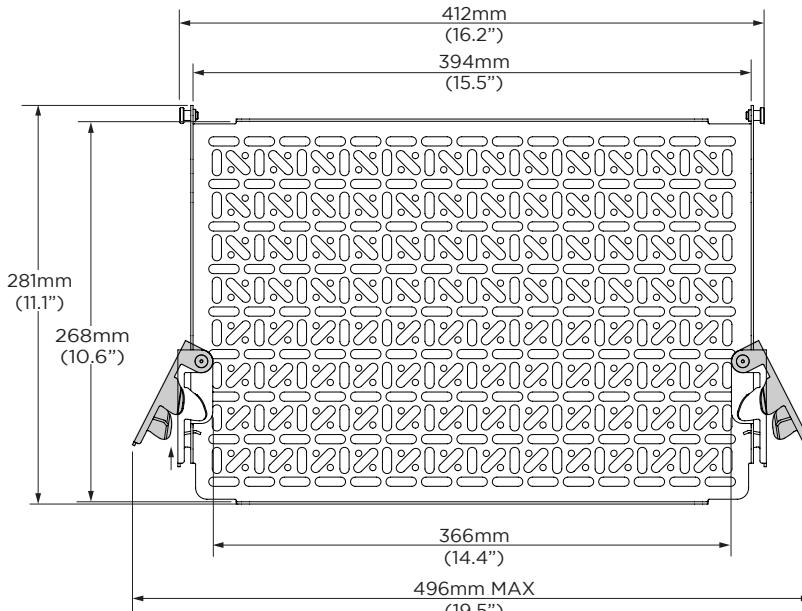
**BOTTOM VIEW**



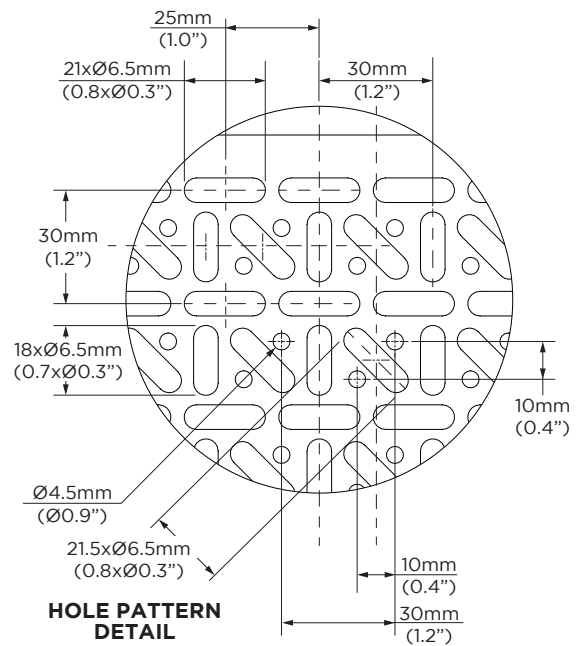
**BACK VIEW**



**SIDE VIEW**



**TOP VIEW**



# DIMENSIONS MOUNTING BRACKET

## MINIMUM CLEARANCE TO WALL OR DESK STRUCTURE

Side: 40mm (1.6")  
Hinge end: 18mm (0.7")

