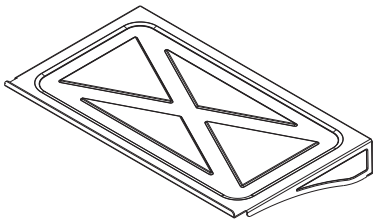
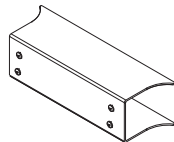


COMPONENT CHECKLIST



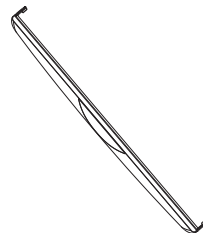
A
Shelf
(x1)



B
Shelf Clamp
(x1)



C
Shelf Connectors
(x2)



D
Shelf Lip
(x1)

Floor 

REQUIRED TOOLS

- Phillips Head Screwdriver

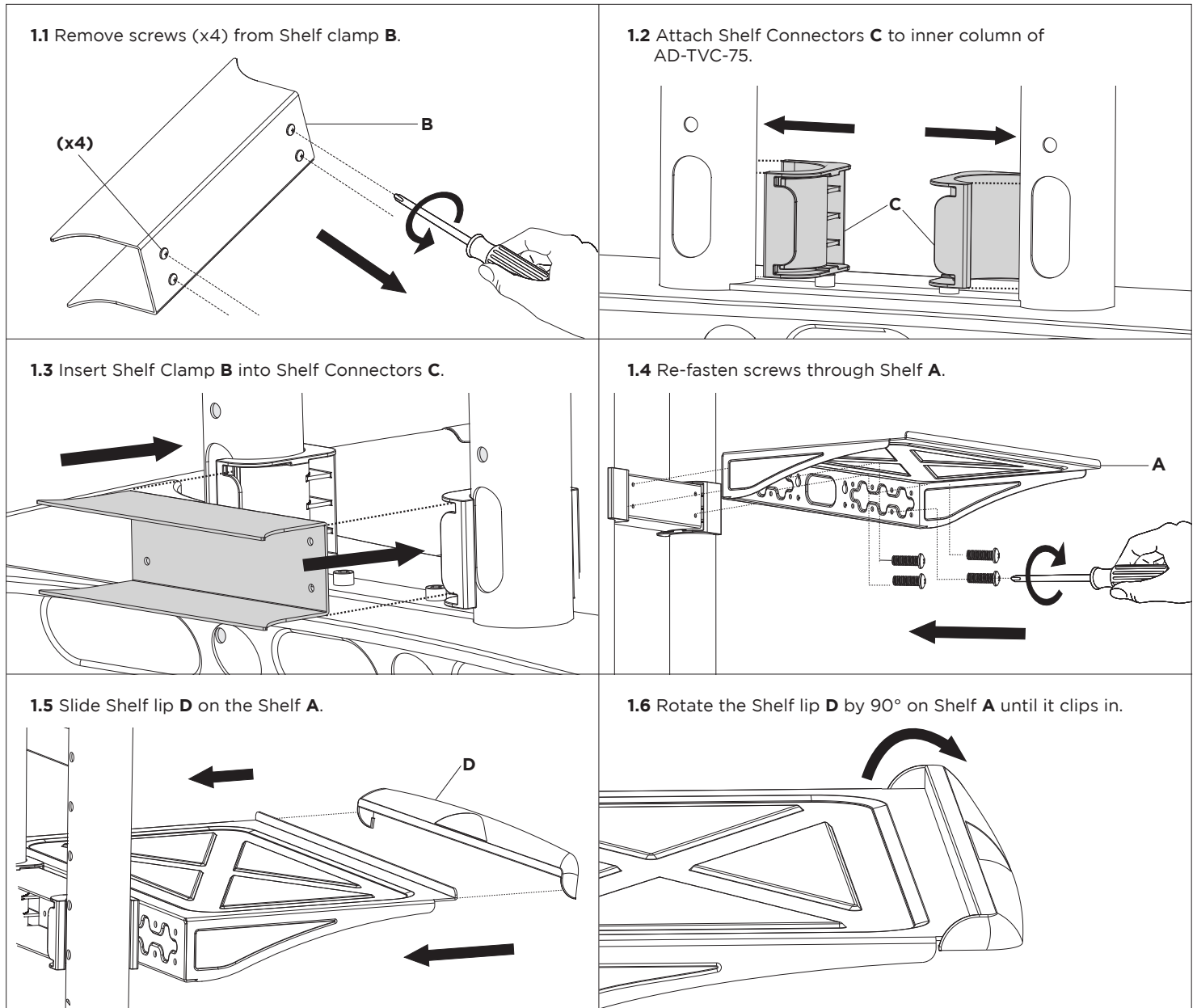
CAPACITY

0 - 11kg (0 - 24lb)

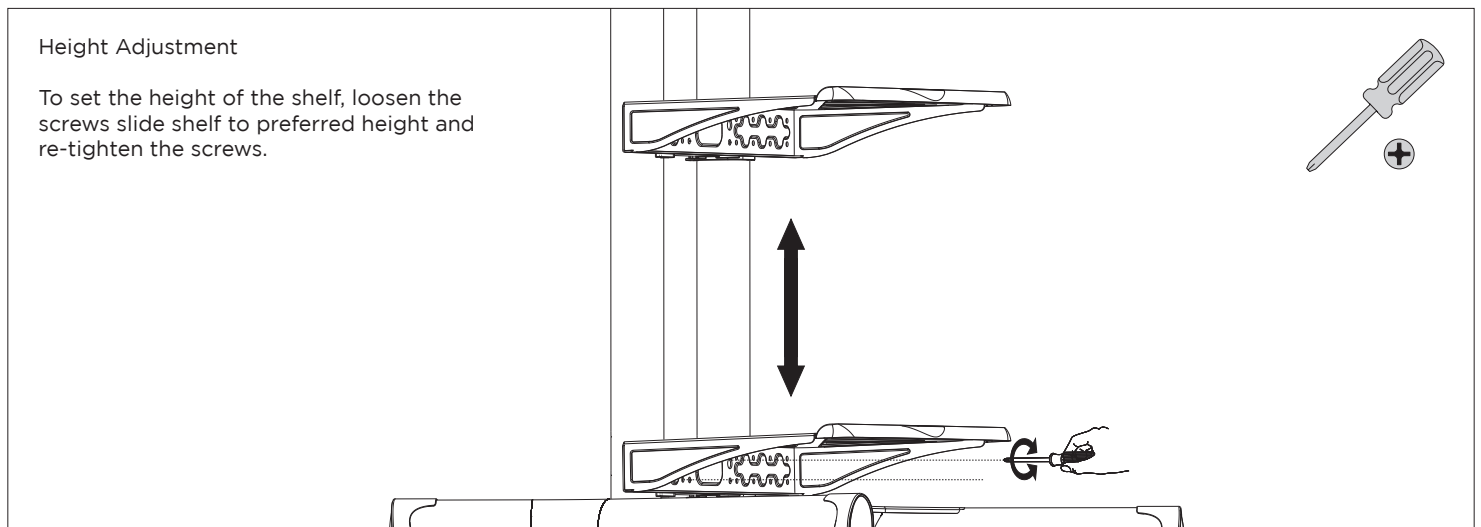
IMPORTANT INFORMATION

- ! **Please ensure this product is installed as per these installation instructions.**
- ! The manufacturer accepts no responsibility for incorrect installation.
- ! Failure to mount this product correctly may cause serious injury/death during or following installation.
- ! Do not over tighten screws.
- ! Product not suitable for use outdoors.
- ! After installation is complete, check to verify that Shelf is secure and safe for use.
- ! **WARNING!** Death or serious injury may occur when children climb on audio and/or video equipment furniture. A remote control or toys placed on the cart may encourage a child to climb on the cart and as a result the cart may tip over on to the child.

1. Install shelf



ADJUSTMENTS



MAINTENANCE

- Tighten fasteners and check the shelf is secure and safe to use at regular intervals (at least every three months.)
- Please contact your distributor if you have any questions.