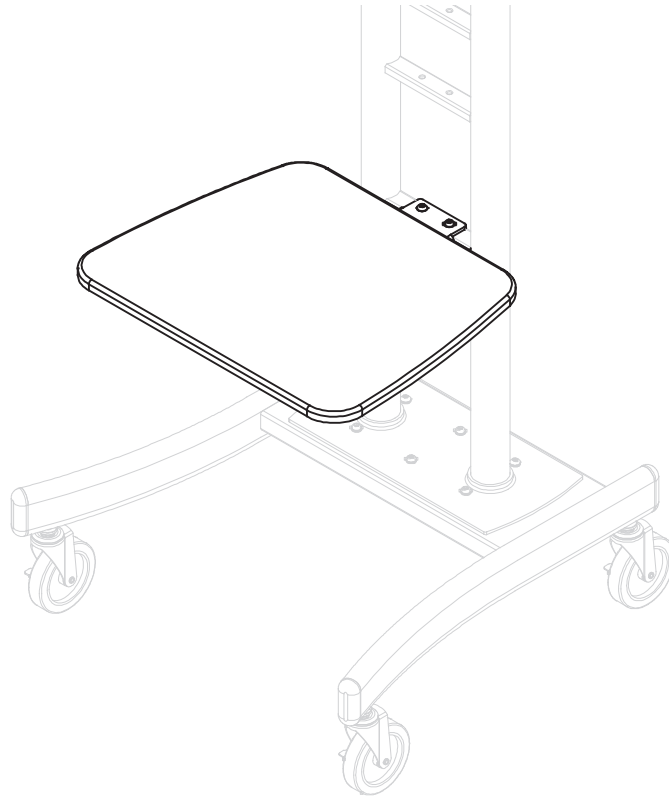
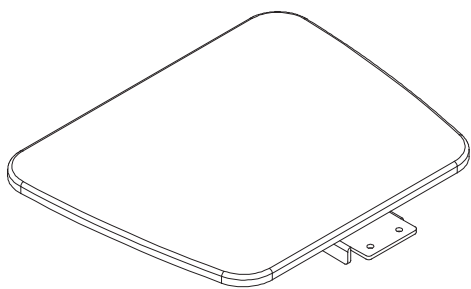


TV Cart Shelf



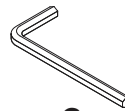
COMPONENT CHECKLIST



A
Shelf
(x1)



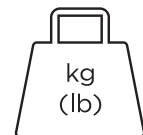
B
Screw
M8x14mm
(x2)



C
6mm
allen key
(x1)

Floor 

WEIGHT RANGE



kg
(lb)

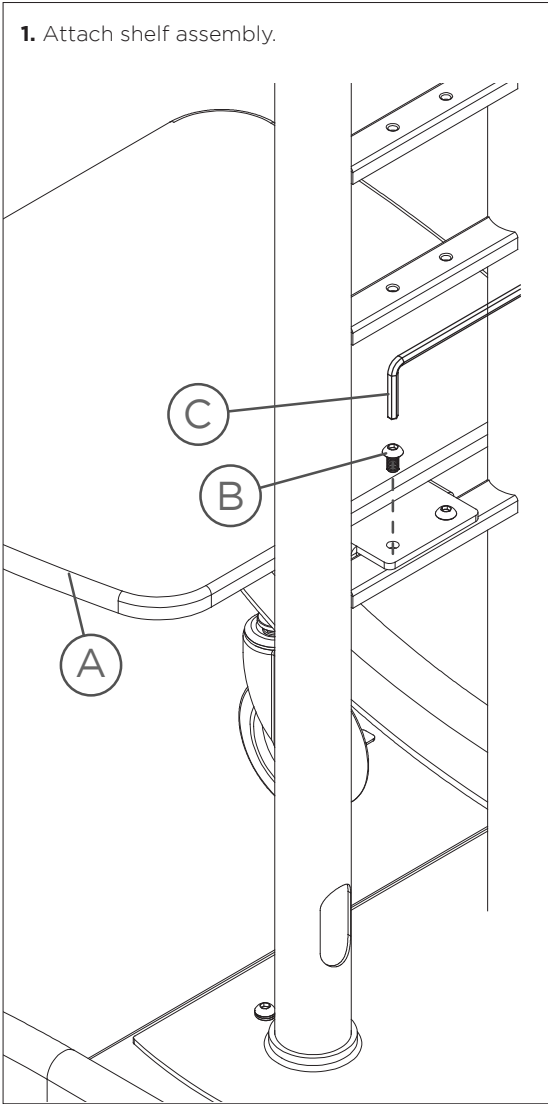
0 - 5kg
(0 - 11lbs)

IMPORTANT INFORMATION

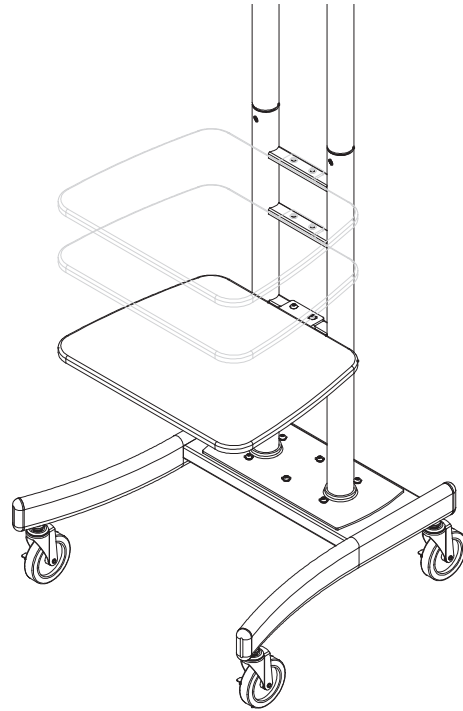
- ! Please ensure this product is installed as per these installation instructions.
- ! The manufacturer accepts no responsibility for incorrect installation.
- ! The maximum load to be applied to the shelf is 5kg (11lbs)
- ! When more than one shelf is installed on a single cart the combined load across all shelves is 5kg (11lb).
- ! This product is compatible with TV Cart AD-TVC.

ASSEMBLY INSTRUCTIONS

1. Attach shelf assembly.



Note: The shelf can be installed at one of three heights from the floor: 578mm (22.76"), 791mm (31.14") or 921mm (36.26").



DIMENSIONS

