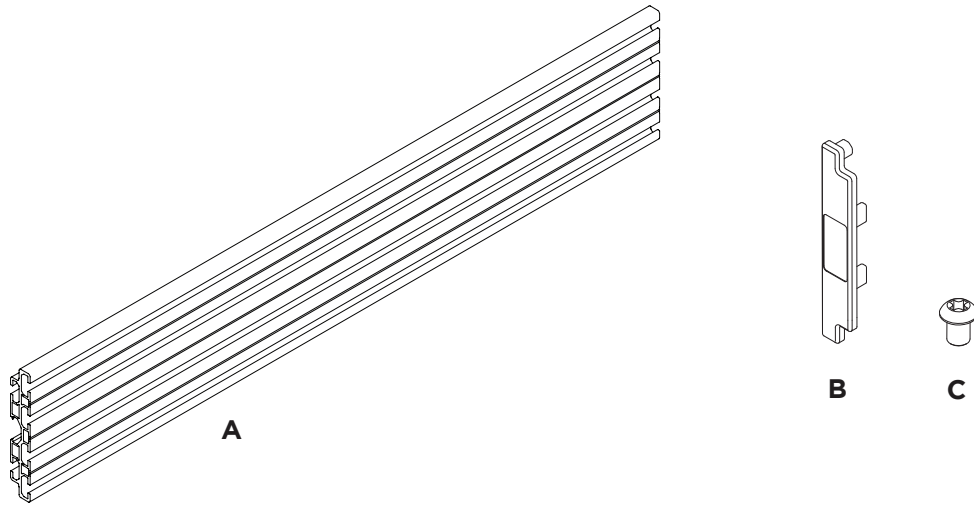


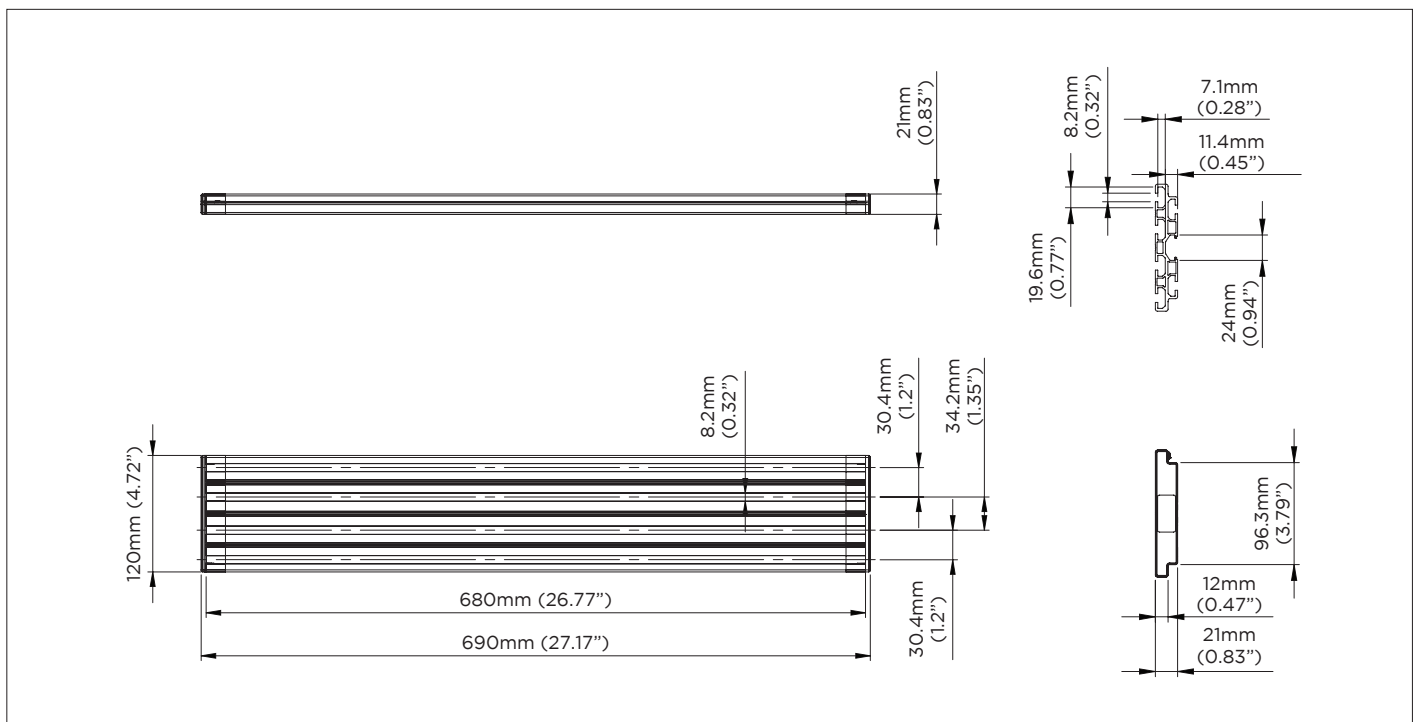
68 Rail



COMPONENT CHECKLIST

| Item | Name | QTY |
|------|----------------------|-----|
| A | Rail, 680mm (26.77") | 1 |
| B | End Cap | 2 |
| C | M5 x 8mm Screw | 2 |

PRODUCT DIMENSIONS



INSTALLATION INSTRUCTION

