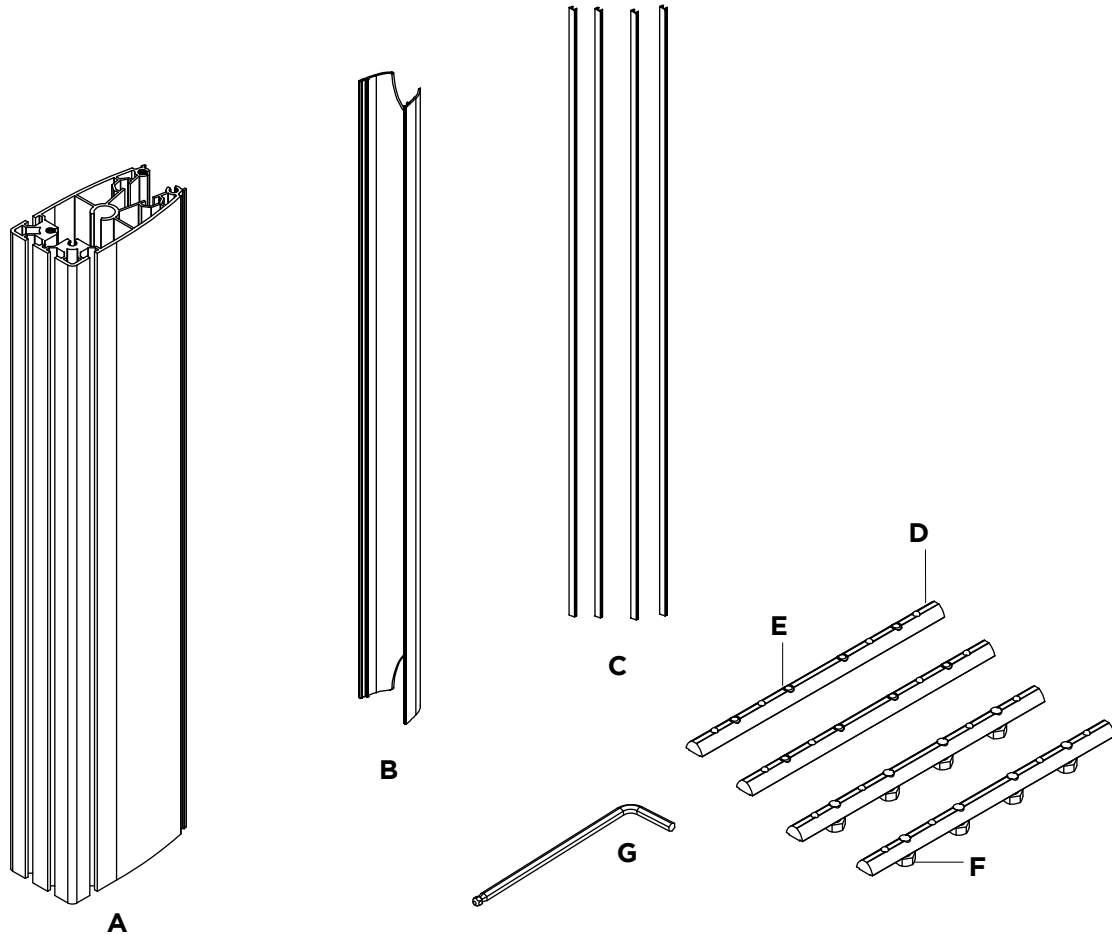


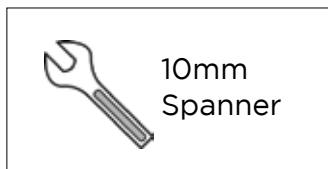
## Post 600



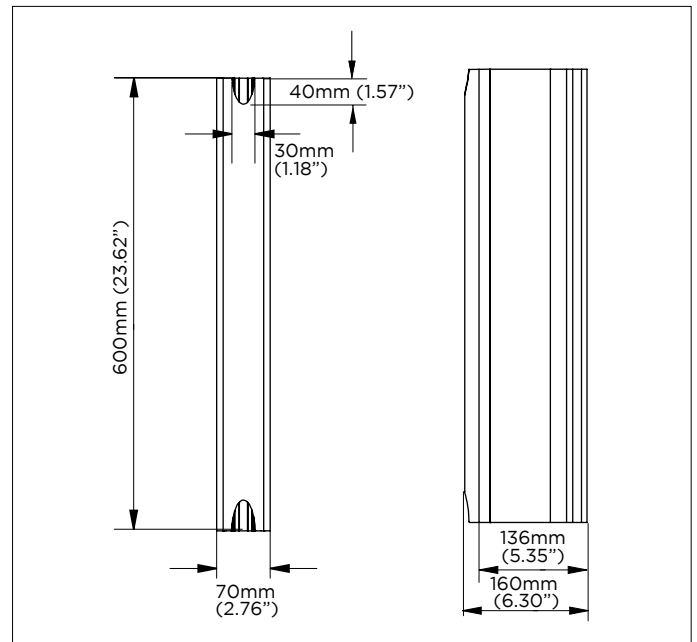
### COMPONENT CHECKLIST

Item	Name	QTY
A	Post, 600mm Tall	1
B	Cable Cover	1
C	Plastic Slot Insert	4
D	Connector Bar	4
E	M6 x 8mm Grub Screw	8
F	M6 x 10mm Hex Bolt	8
G	3mm Hex Key	1

### REQUIRED TOOLS FOR INSTALLATION



### PRODUCT DIMENSIONS



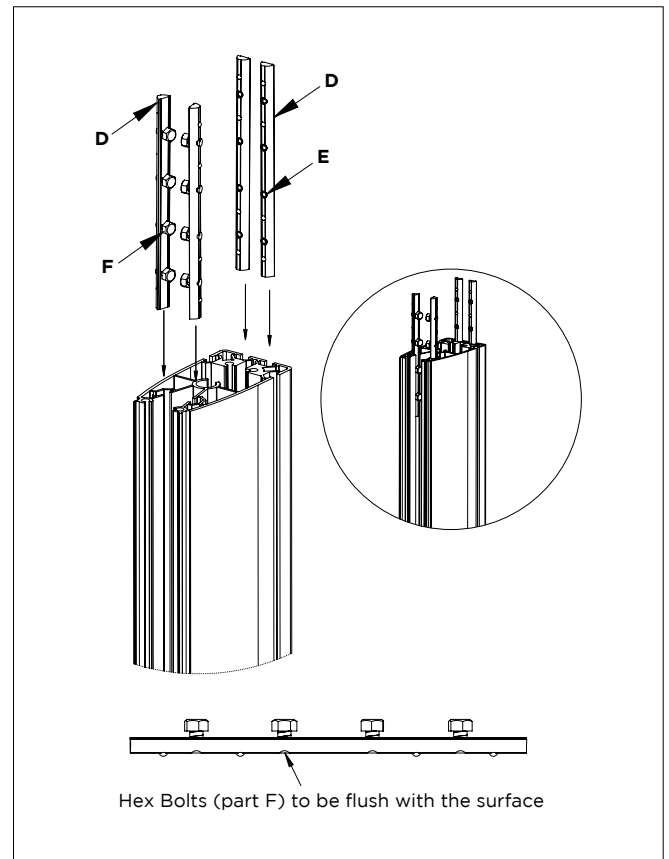
# INSTALLATION INSTRUCTION

## Step 1.

Insert the connector bars (part D) halfway into the non-threaded end of the lower post. The two connector bars with grub screws (part E) go in the front of the column and the 2 connector bars with hex bolts (part F) go in the back.

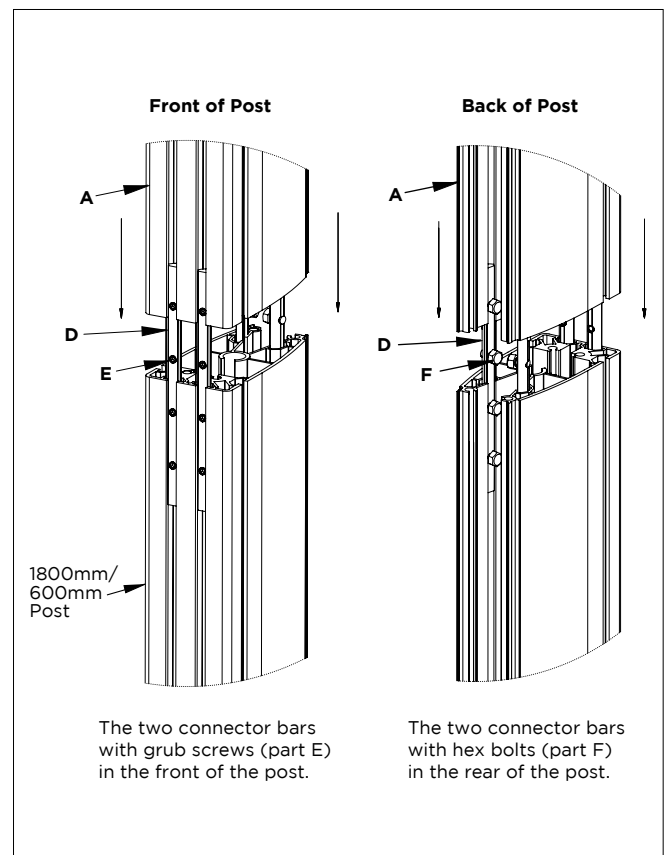
### **! IMPORTANT**

Connector bars should be inserted into the non-threaded end of the column.



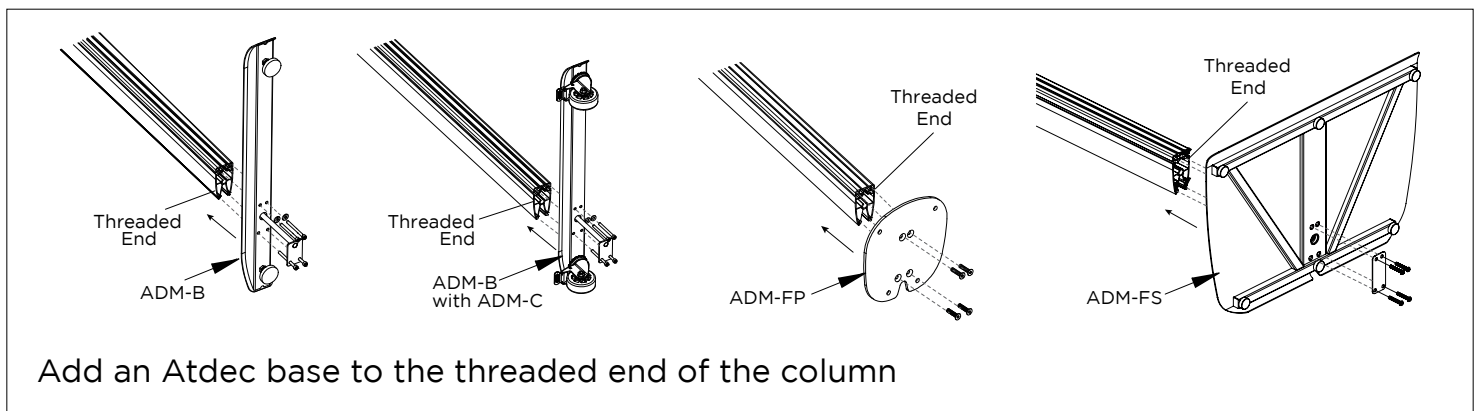
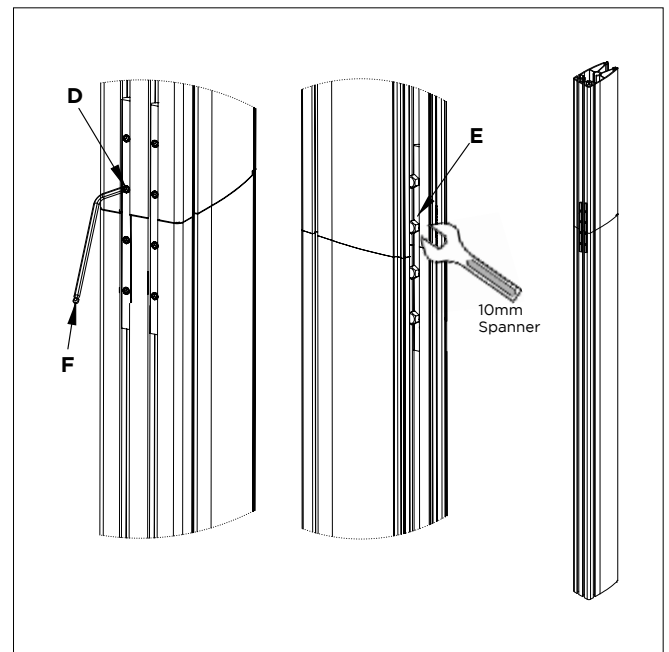
## Step 2.

Join the posts together by sliding the 600mm column (part A) onto the connector bars (part D).



### Step 3.

Tighten all grub screws (part E) on the front of the column using the hex key (part G). On rear of column tighten hex bolts (part F) by hand. Finish tightening using a 10mm spanner.



### Step 4.

Add cable cover (part B) and plastic slot inserts (part C) after installation is complete.

