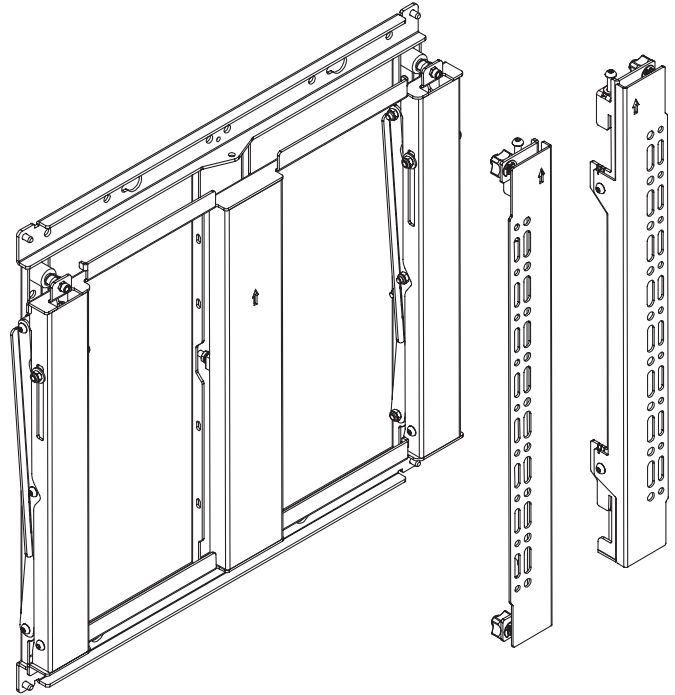


Pop-Out Slim Video Wall Mount

CONTENTS

Installation Safety Notes	Page 2
Interface Adaptors	Page 3
Installation Instructions	Page 4
Installation Options	Page 9
Alternative Mounting Examples	Page 10
Product Dimensions	Page 11



COMPONENT CHECKLIST

A Wall Mount	B Interface Arm - Left	C Interface Arm - Right	D 600mm Adaptor Arm	E M6 x 20mm Screw	G 4mm Short Allen Key
F: M8 x 12mm Countersunk Screw (x4)					
H: 4mm Long Allen Key					
Display Interface Suitable for loads up to 50kg					
I M6 x 16mm Screw	J M6 x 25mm Screw	K M6 x 40mm Screw	L M6 Washer	M M8 x 16mm Screw	N M8 x 25mm Screw
O M8 x 40mm Screw	P M8 x 5mm Spacer	Q M8 x 13mm Spacer	R M8 x 24mm Spacer		

REQUIRED TOOLS FOR INSTALLATION

Flathead & Crosshead Screwdrivers	Power Drill	Drill Bit	Pencil	Dual-Plane Laser Level: Optional

IMPORTANT INFORMATION

! Important: Fixing screws are not included with this product.
Atdec highly recommends this product be installed by a suitably qualified person. The installer must be satisfied that the type of fixings used are suitable for the type of wall the product is to be mounted to. Care must be taken as to where this product is located as some walls are not suitable for installation. When drilling holes knowledge must be obtained to avoid contact with any electrical cables and/or gas and water pipes contained within the wall.

INSTALLATION SAFETY INSTRUCTIONS



CAUTION: THIS MOUNT IS INTENDED FOR USE ONLY WITH THE MAXIMUM WEIGHTS INDICATED. USE WITH DISPLAYS HEAVIER THAN THE MAXIMUM INDICATED MAY RESULT IN INSTABILITY CAUSING POSSIBLE INJURY.

Do not attempt to install this product until all instructions and warnings have been read and properly understood.

Please keep these instructions for future reference.

Please check carefully to make sure there are no missing or defective parts - defective parts must never be used.

Atdec Pty Ltd, its distributors and dealers are not liable or responsible for damage or injury caused by improper installation, improper use or failure to observe these safety instructions.

In such cases, all guarantees will expire.

GENERAL

Atdec Pty Ltd recommends that a professional AV installer or other suitably qualified person install this product. Great care must always be taken during installation as most AV equipment is of a fragile nature, possibly heavy and easily damaged if dropped.

If you do not fully understand the instructions or are not sure how to install this product safely, then please consult a professional for advice and/or to install this product for you. Failure to mount this product correctly may cause serious injury or death both during installation and at any time thereafter.

Do not mount any AV equipment that exceeds the specific weight limit of the product you are installing.

This weight limit will be clearly stated on each product and its packaging and will vary from product to product.

PRODUCT LOCATION

Please pay careful attention to where this product is located. Check load capacity of wall prior to installation as some walls are not suitable for installation. Designed for indoor use, this mount is suitable for public or home installation. If located in a public or frequently populated area ensure that the product is out of the immediate reach of people. If any AV equipment is to be suspended over the likely path or location of people then great care should be taken to secure all parts of the installation from falling. If you install this product on drywall it must be securely fixed to a wooden stud, concrete block or other permanent structure behind the drywall board.

Installing on drywall boards alone will not support the weight of most AV equipment.

When drilling holes in walls it is essential to avoid contact with electrical cables and water or gas pipes contained within. Use of a good quality live wire detector and hidden object locator is therefore recommended.

Only drill into structures when you are sure it is safe to do so.

FIXING HARDWARE

It is highly recommended that all wall fixing screws be used where supplied and that the purpose of all other fixing hardware is fully understood. In some cases more AV equipment fixing hardware will be supplied to accommodate different models of equipment and set up configurations.

The installer must be satisfied that any supplied fixing hardware is suitable for each specific installation. If any fixing screws or included hardware are deemed not sufficient for a safe installation then please consult a professional or your local hardware store.

HAZARD LIMITATION

When routing cables take advantage of any built in cable management features that the product might provide and ensure that all cables are tidy and secure. Check to see that any moving aspect of product can do so unhindered by any cabling.

Some products have moving parts and the potential to cause injury through the crushing or trapping of fingers or other body parts.

Particular attention to the nature of moving parts is required especially when assembling, installing and adjusting during set up.

Immediately after installations double-check that the work done is safe and secure. Double-check all necessary fixings are present and are of ample tightness.

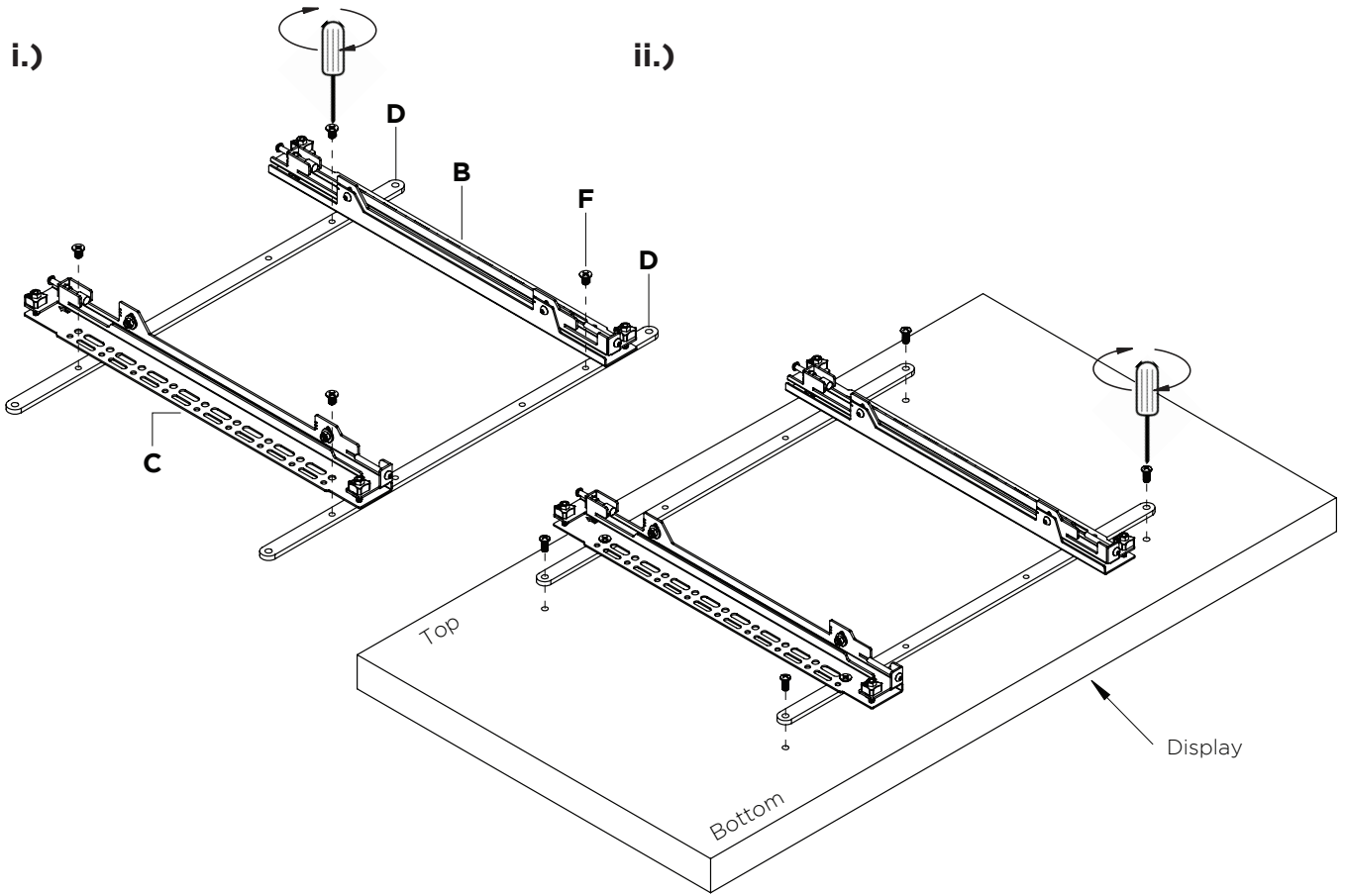
It is recommended that periodic inspections of the product and its fixing points are made as frequently as possible to ensure that safety is maintained. If in doubt consult a professional AV installer or other suitably qualified person.

VESA 600 X 400MM INTERFACE ADAPTORS

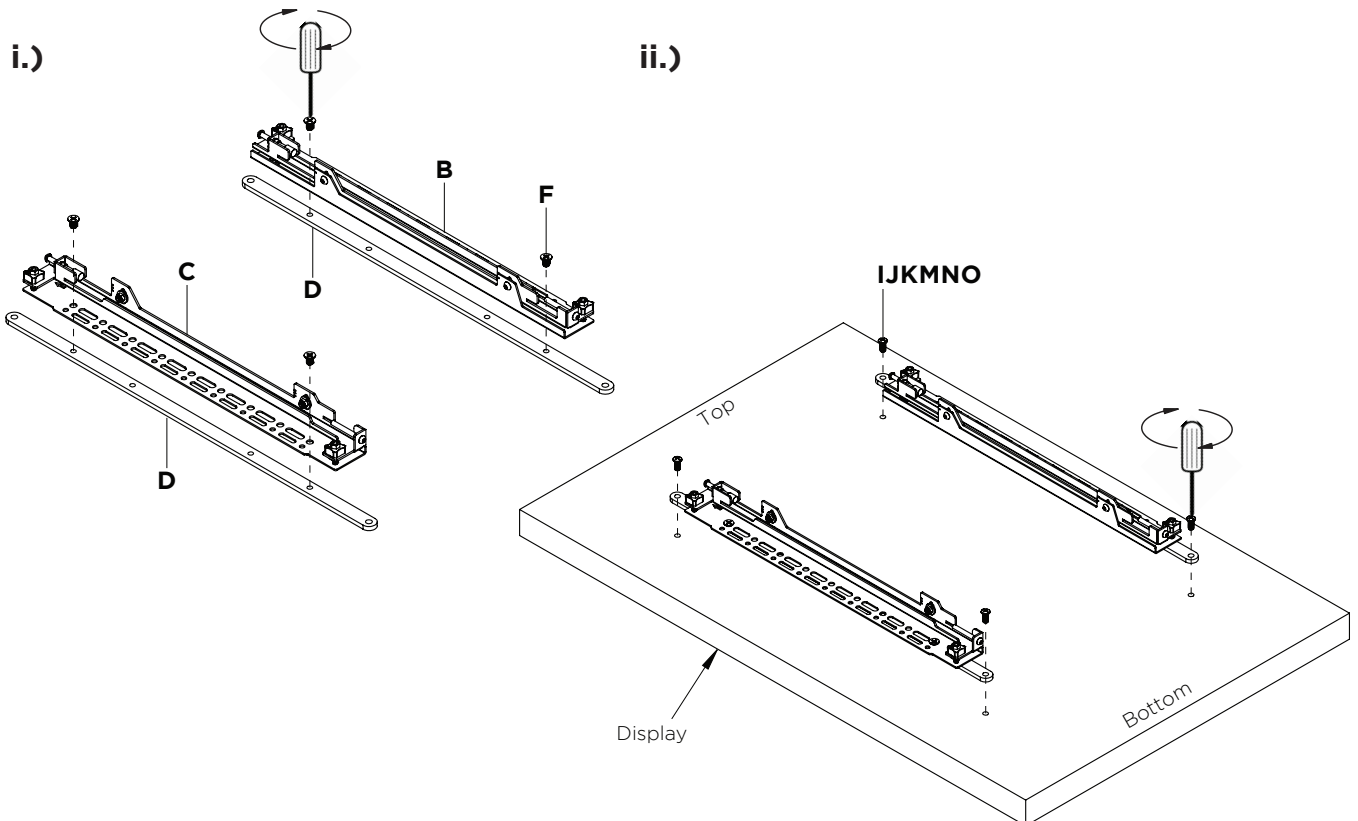
The interface arms (parts B & C) can mount displays with fixing patterns from VESA 200 x 200mm up to 400 x 400mm.

To mount displays with VESA 600 x 400mm fixings use the adaptor arms (part D).

Mounting In Landscape



Mounting In Portrait

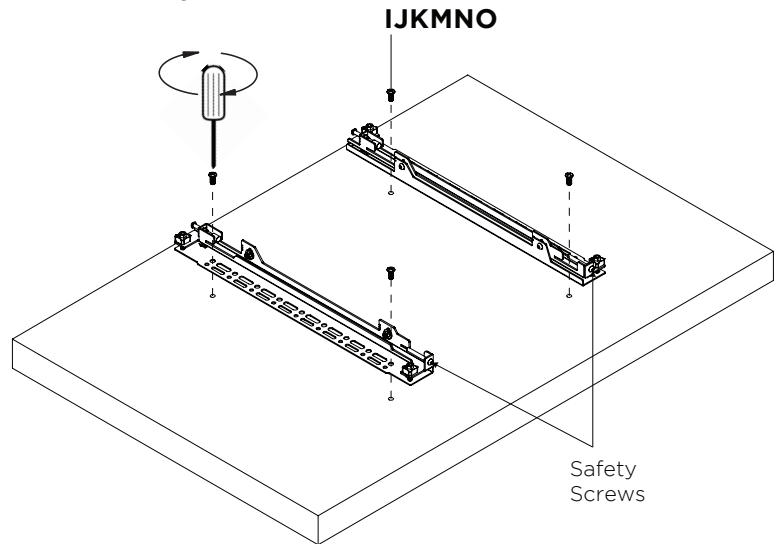


INSTALLATION INSTRUCTIONS

Step 1. Attach the interface arms to the display

- i. Completely loosen the two safety screws.
- ii. Fix the interface arms (parts B & C) to the back of the display using the Display Interface Kit (parts I - O).

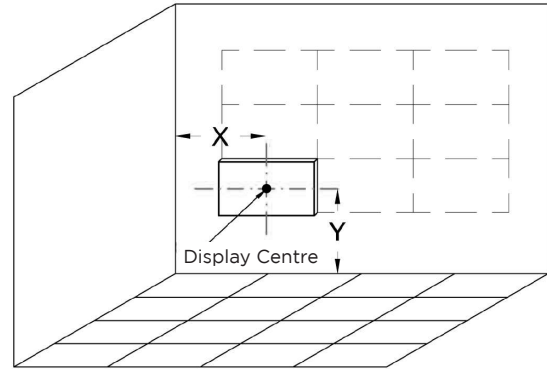
Use spacers (parts P, Q & R) for displays with recessed fixings.



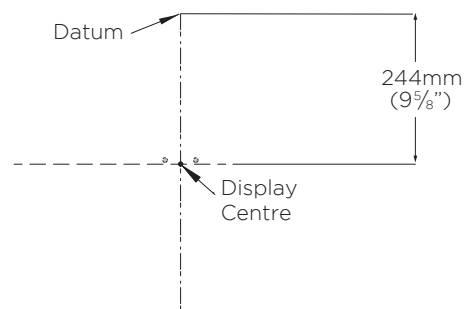
Step 2. Install the first mount

- i. Plan your video wall installation according to site requirements and display sizes.

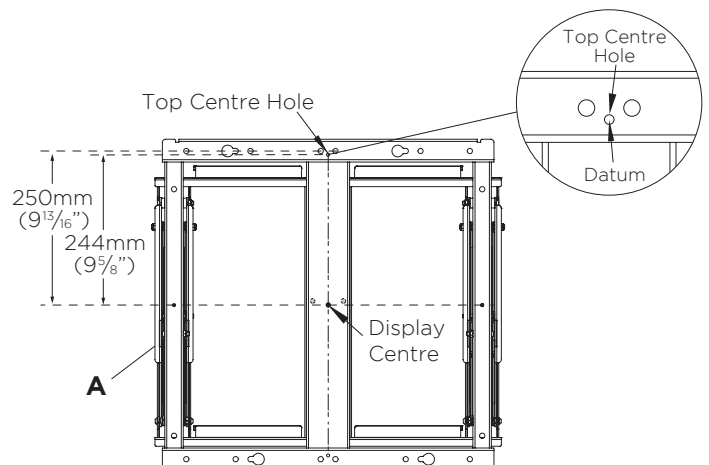
Accordingly, determine the centre of the first display at the bottom left. The rest of the video wall will be built from here.



- ii. Measure and mark a point 244mm (9⁵/₈"") vertically above the display centre. This point is the Datum.

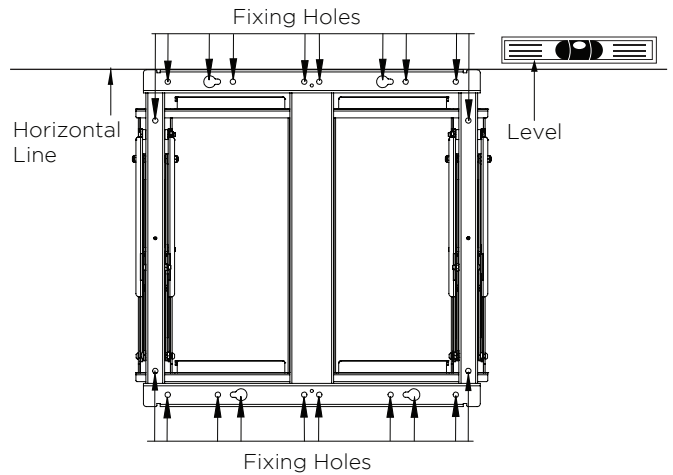
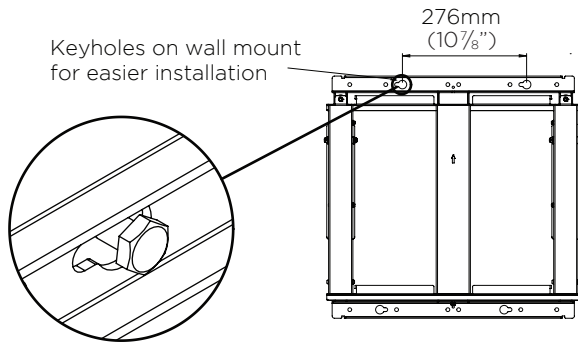


- iii. Place wall mount against wall. Align Top Centre Hole on the product to the Datum. Ensure product is level.

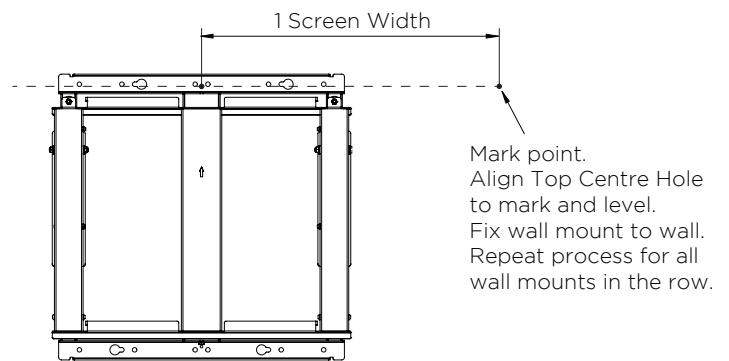


- iv. Fix the wall mount to the wall (use the horizontal line as a guide), using the fixing holes with suitable wall fixings (not supplied).

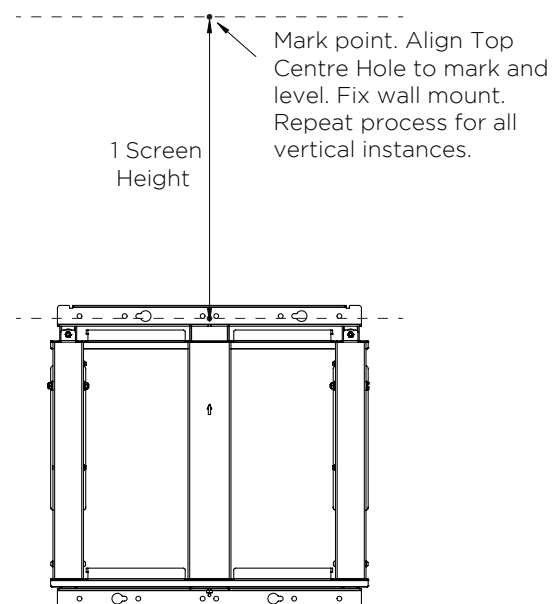
Different fixing holes can be used according to installation requirements.



- v. Measure and mark a point one screen width horizontally from the Top Centre Hole on the now-fixed wall mount. Repeat (iii) and (iv) with the next wall mount at this mark. Continue steps (iii), (iv) and (v) across the horizontal instances of the videowall.



- vi. To begin next row, measure and mark a point one screen height vertically from the Top Centre Hole on the left most wall mount.



- vii. Repeat steps (iii), (iv) and (v) for all horizontal instances of this row.

- viii. Repeat steps (vi) and (vii) until all rows have been completed.

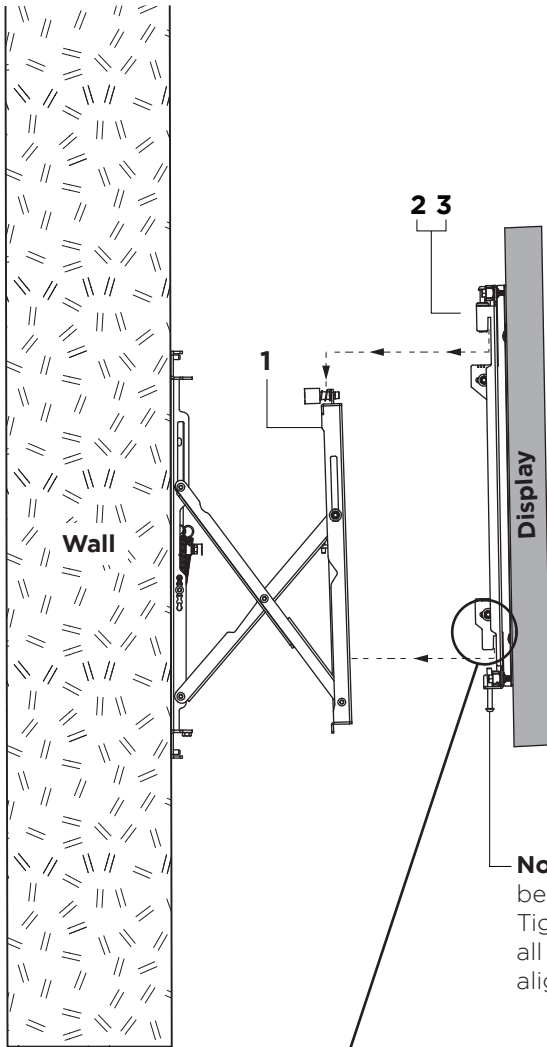
Note: If mounting in portrait, display width and height is relative to installed orientation.

Step 3. Hook Display onto Wall Mount

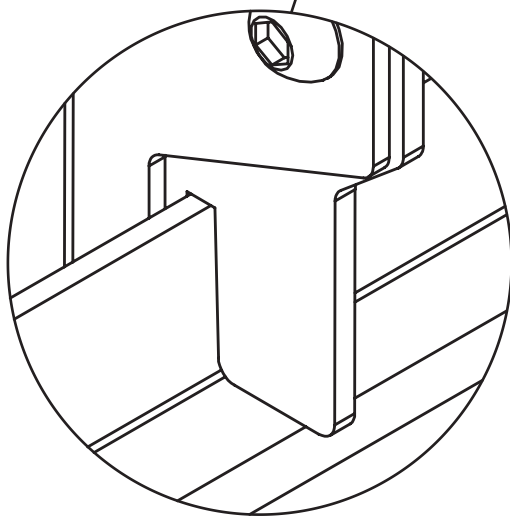
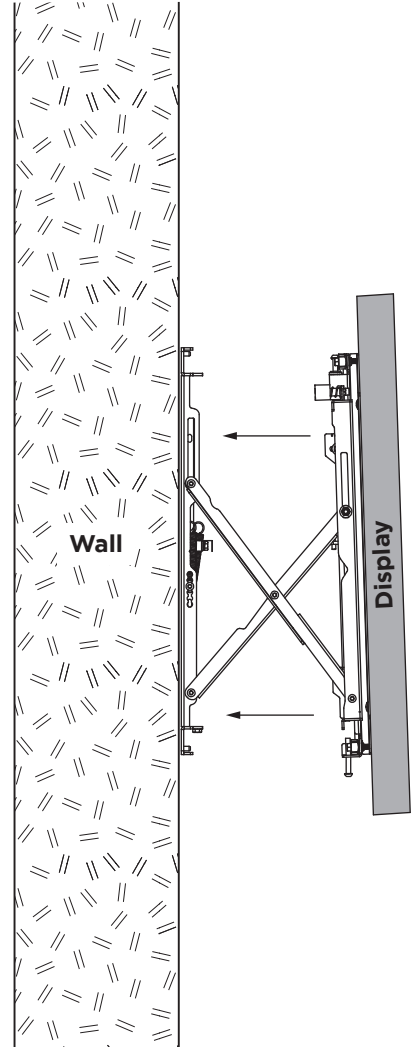
- i. Hook the first display onto the bottom left wall plate.



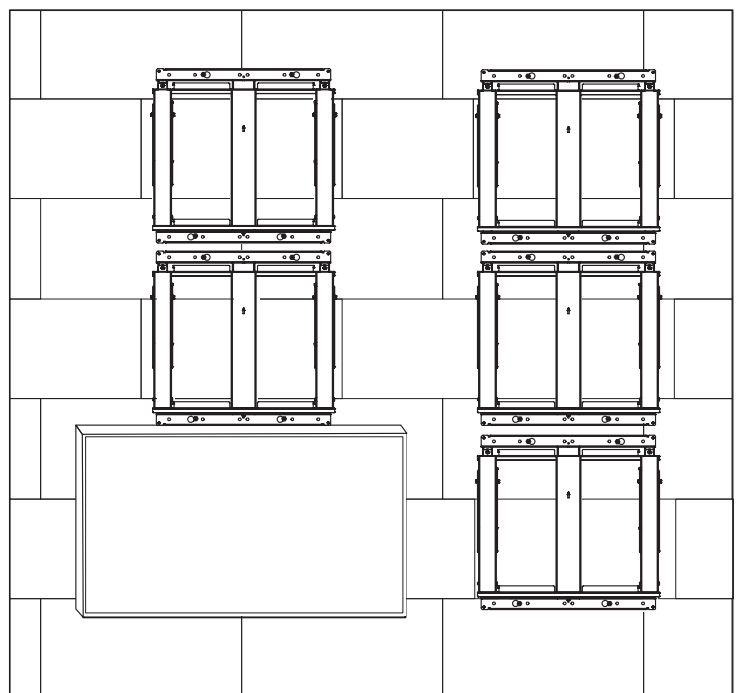
WARNING
Fix/ tie the cables to prevent possible damage



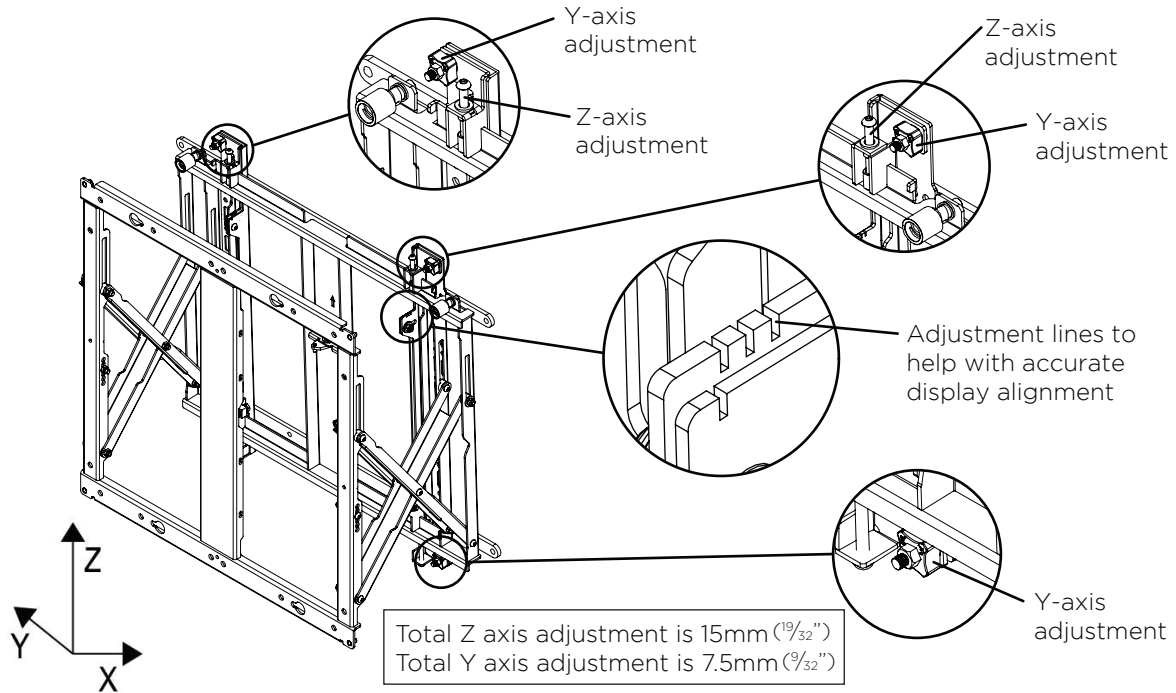
Note: Safety screws need to be in the unlocked position. Tighten safety screws once all displays are mounted and aligned with each other.



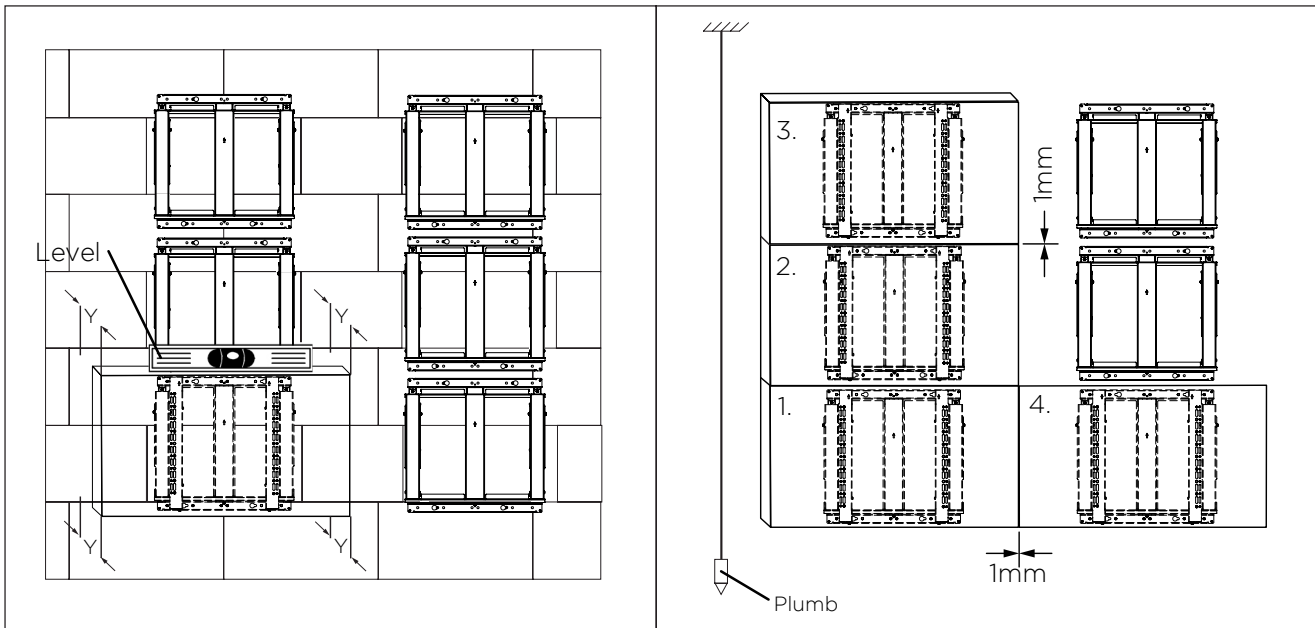
Note: Ensure the bottom interface arm hooks are properly mounted onto the wall plate.



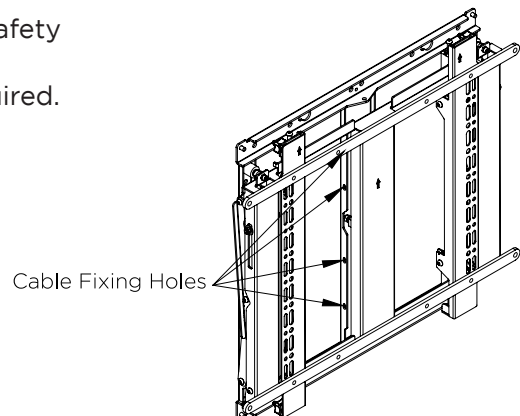
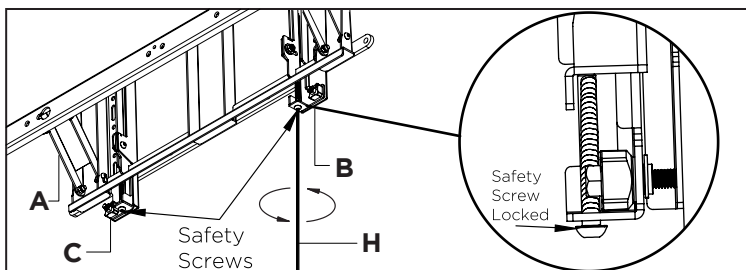
Step 4. Display Alignment



- i. Check the horizontal centre of the display is aligned with the horizontal centre of the wall mount.
- ii. Using a level, align the display parallel to the floor using the Z-axis adjustment screws.
This process requires Part G: 4mm Allen Key.
- iii. Use the Y-axis knob to ensure that each corner of the display is equidistant from the wall.
- iv. Use a plumb to align the first column of displays and leave a 1mm ($1/32$ "") gap between them.
- v. Hook on the remaining displays leaving at least a 1mm ($1/32$ "") gap between them.

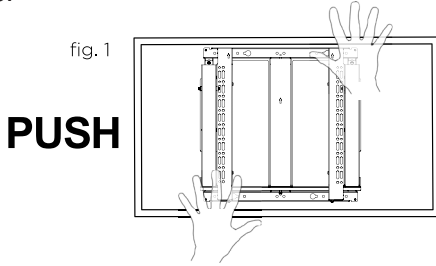


- vi. When the displays are all positioned correctly, tighten the safety screws which were previously loosened.
- vii. Fix cables using the cable fixing holes and cable ties if required.

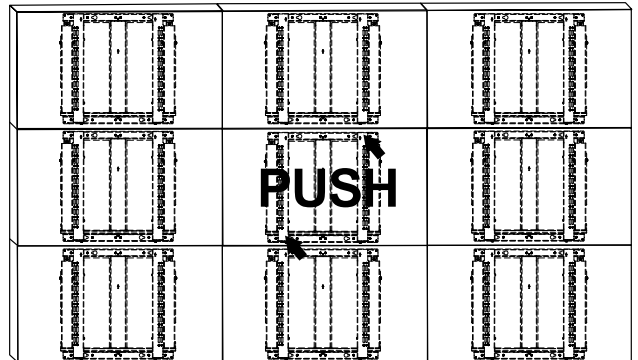


Step 5. Servicing the Displays

- i. To service the display, push the display and the mount will release and move out from the wall. Be careful not to damage the display when pushing. Keep hold of the display as it moves outwards.



Note: Push at the top and bottom of the display on the bezel. To avoid any flexing (and when spacers have been used) apply light pressure in-line with the interface arms, pushing alternative arms at the top and bottom simultaneously (see fig. 1).



- ii. Display shown in the service position.

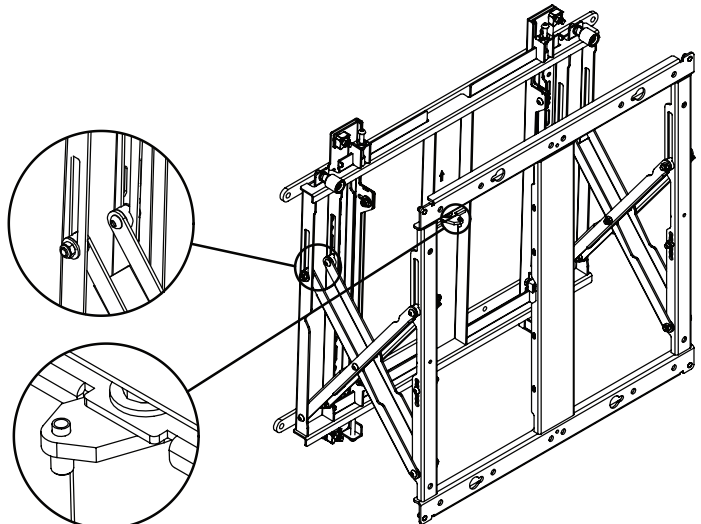


- iii. When servicing is complete, push the display back and click into place.



- iv. Optional: Adjustments can be made to ensure these parts move freely. If overtightened, it will negatively affect the pop-out/in function of the product. If too loose, it will create lateral wobble.

Note: If the pop-out function of the bracket is not operating, check that the locking screw (part E) has not been engaged - see page 12.

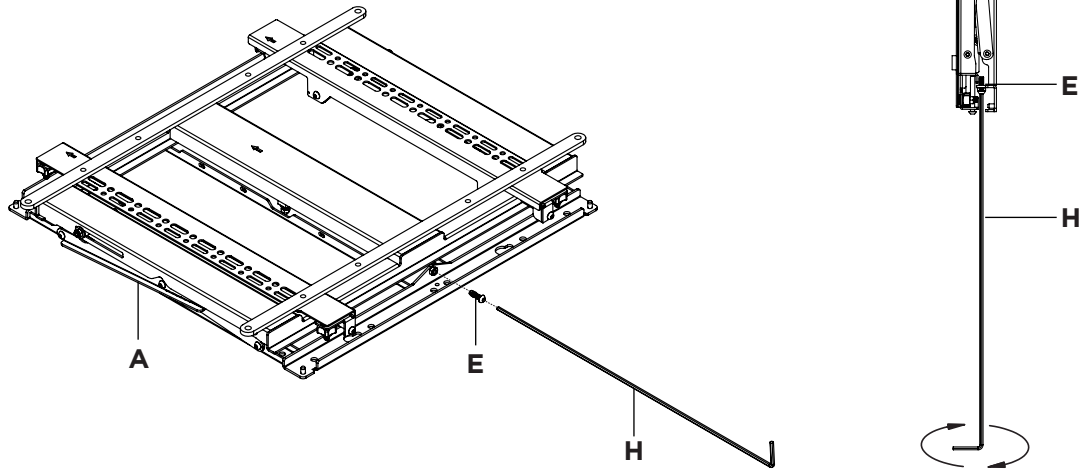


INSTALLATION OPTIONS

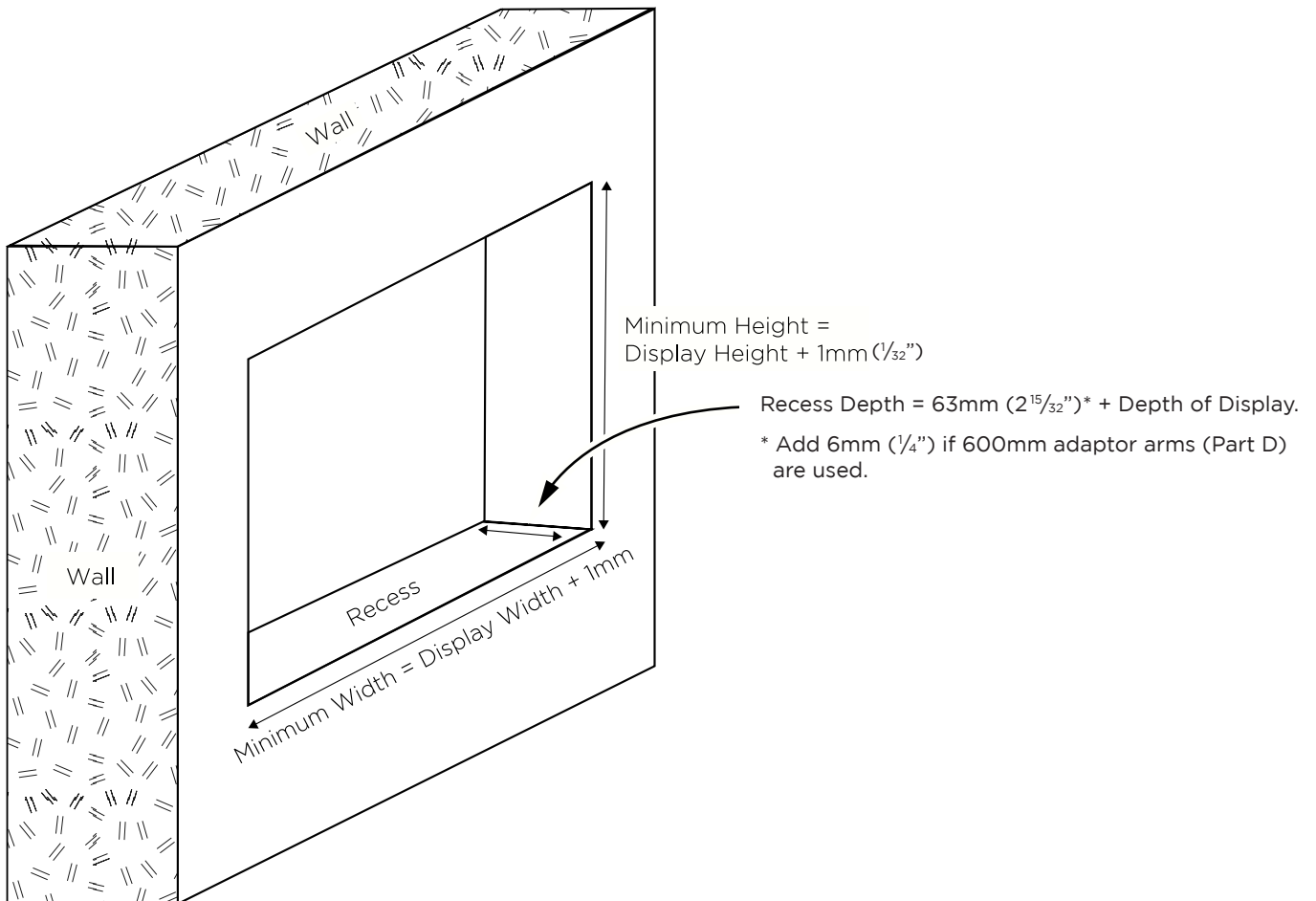
Installing the Locking Screw

If this mount is used in public areas, a locking screw is available to prevent the mount from popping out accidentally.

Ensure the wall mount (part A) is in the closed position before inserting the locking screw (part E).

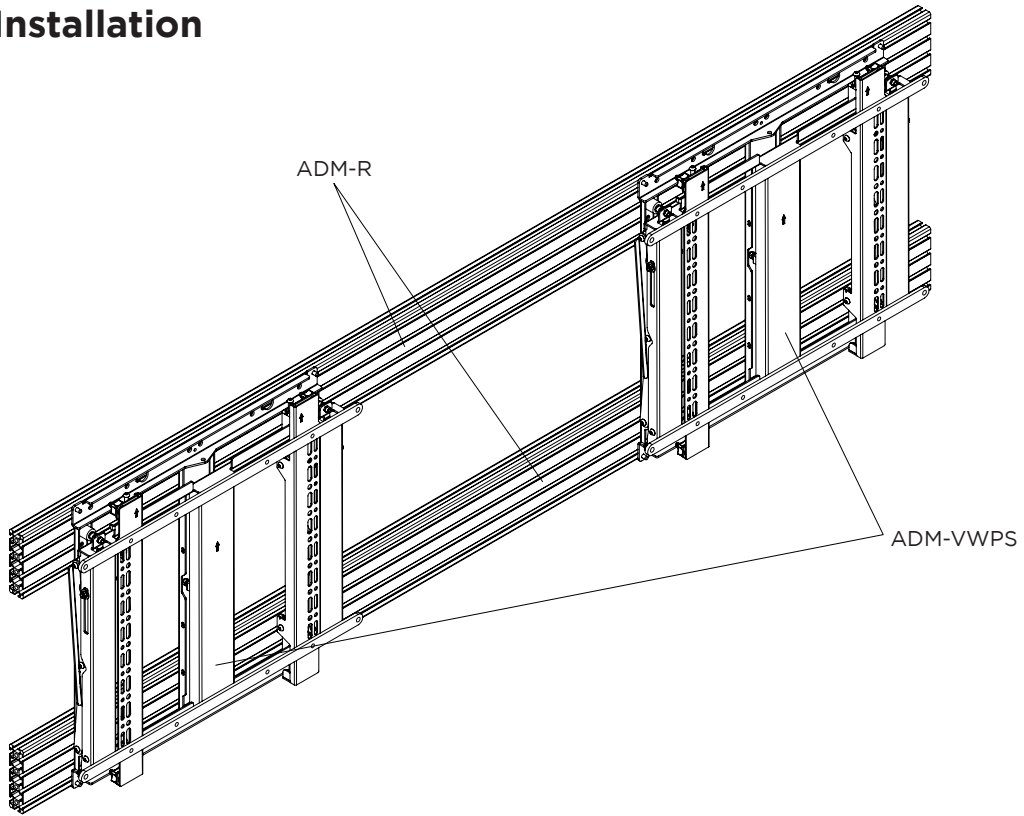


Recess Mounting



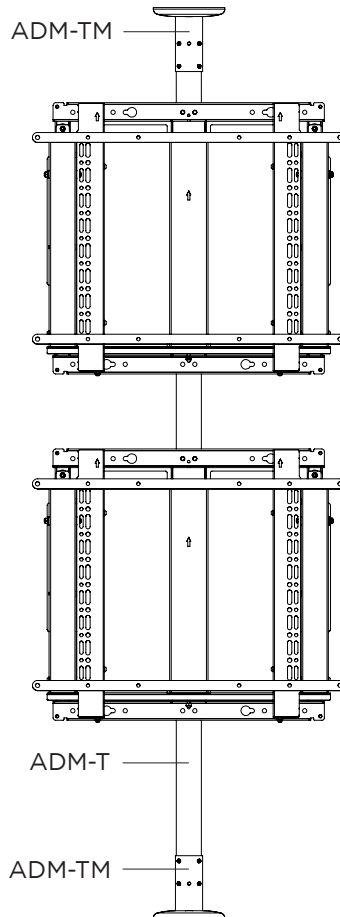
ALTERNATIVE INSTALLATION EXAMPLES

ADM-R Rail Installation



Single Floor To Ceiling Vertical Pole Installation

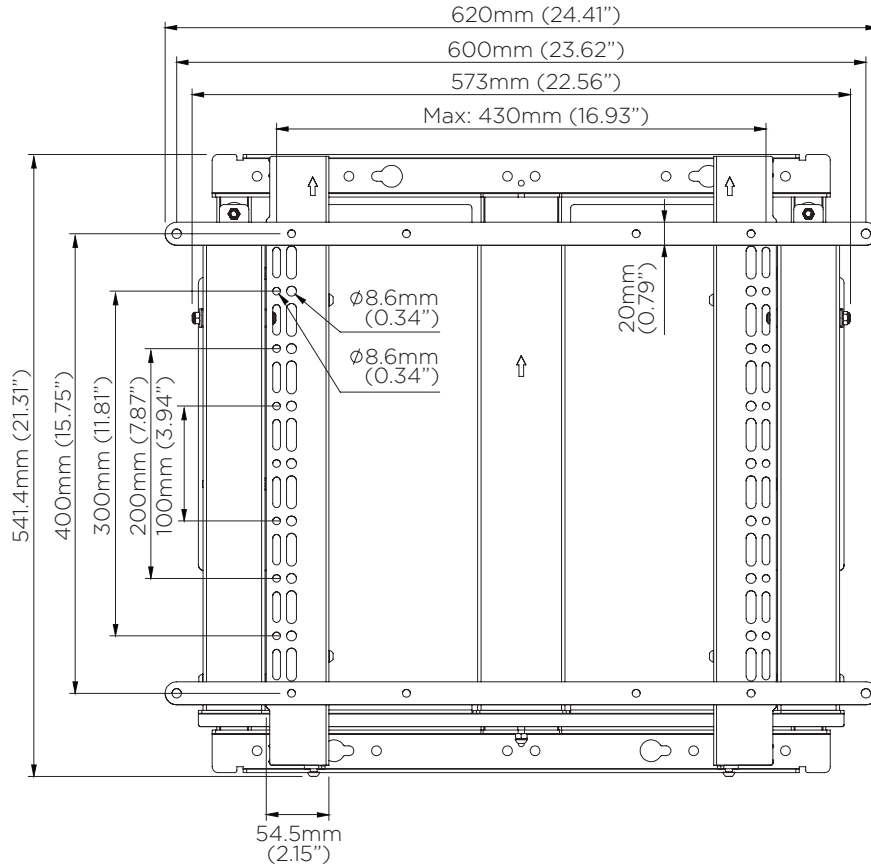
Note: Guidelines of display manufacturer should be followed for all installations.



Bases must be fixed to the floor

ADM-VWSP PRODUCT DIMENSIONS

Rear View



Side View Extended

