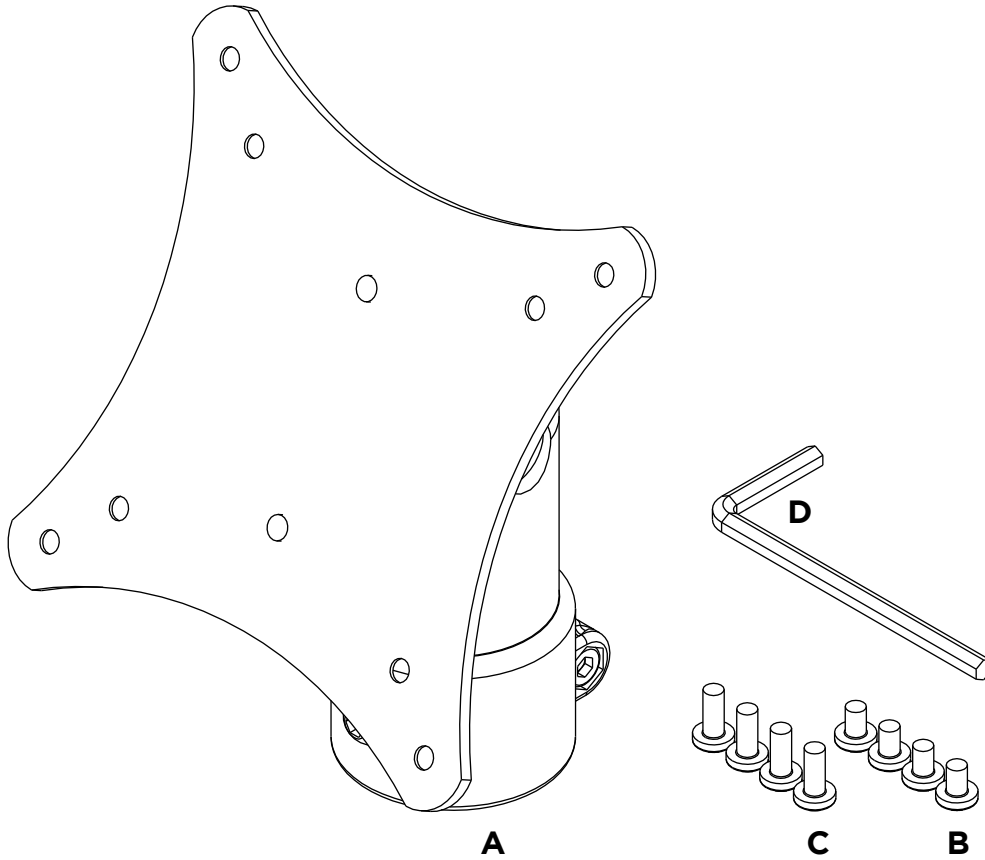


POS Display 38 Top Head



COMPONENT CHECKLIST

Item	Name	QTY
A	38mm Tilt Head	1
B	M4 X 6mm Mounting Screws	4
C	M4 X 10mm Mounting Screws	4
D	4mm Allen Key for Tilt Adjustment	1