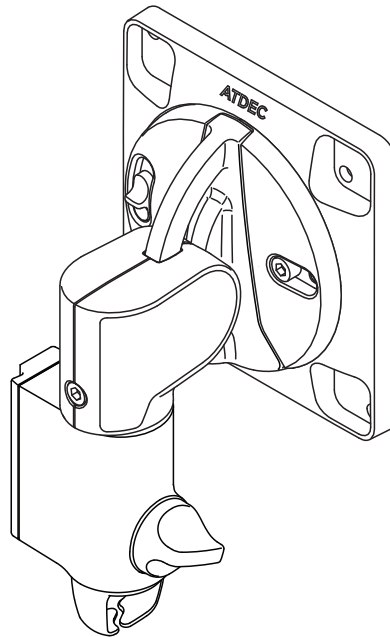
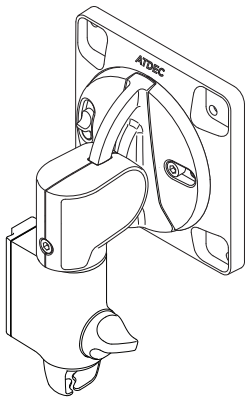


AWM 130 Arm



COMPONENT CHECKLIST



A
Monitor Arm
(x1)



B
Screw
M4x10mm
(x4)



C
Security
Screw
(x1)



D
4mm
Allen Key
(x1)

Desk 

REQUIRED TOOLS

- Phillips Head Screwdriver

WEIGHT RANGE

Flat Monitor

0 - 12kg
(0 - 26.5lb)

Curved Monitor

0 - 10kg
(0 - 22lb)

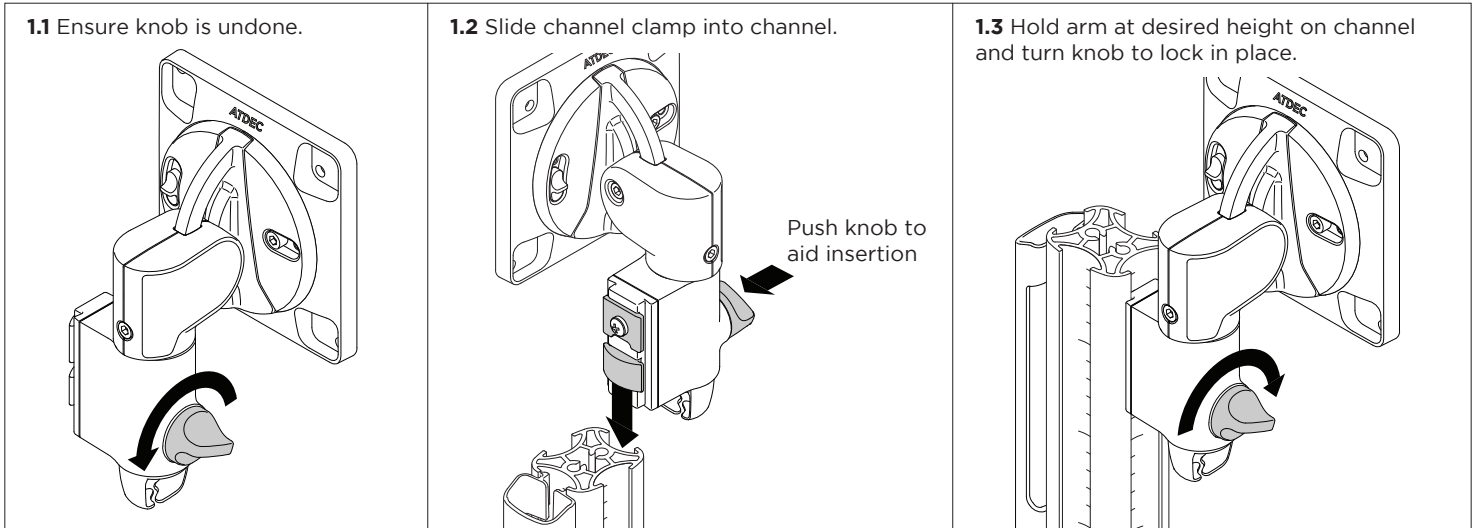
Curved monitors with an overall depth up to 140mm (5.5").

Monitor weight should be within the weight range of all modular elements that make up the complete monitor mounting solution.

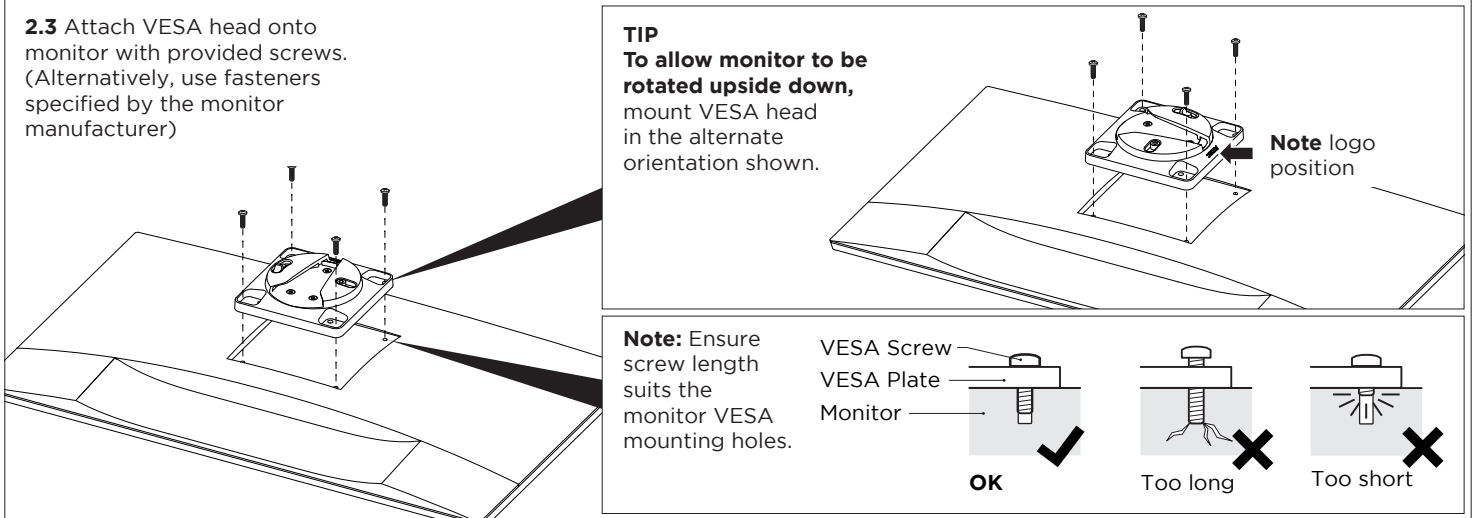
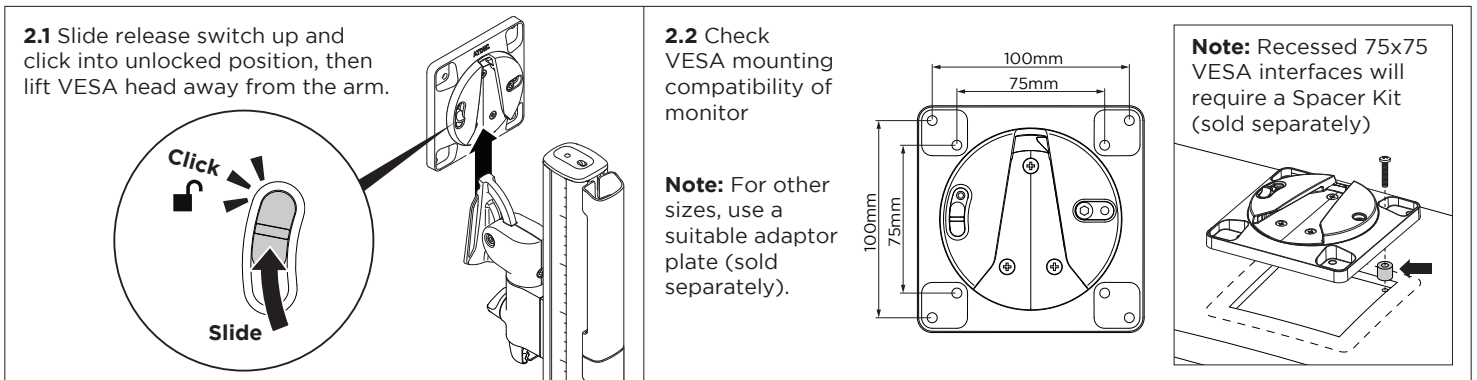
IMPORTANT INFORMATION

- ! Please ensure this product is installed as per these installation instructions.
- ! Do not remove or throw away the plastic sleeve on the channel clamp.
- ! The manufacturer accepts no responsibility for incorrect installation.
- ! This product is compatible with Atdec AWM Series Posts and Wall Channels
- ! This product is not suitable for outdoor use or mobile applications
- ! Do not over-tighten screws and adjustment points on product.
- ! VESA mounted accessories (such as mini PC brackets and mounts), and offset VESA locations, and unevenly weighted monitors (relative to the center of the VESA mounting interface) exert additional leverage that can exceed the capacity of the mount even though the monitor weight may be within the stated range. Please contact Atdec if you would like further information.

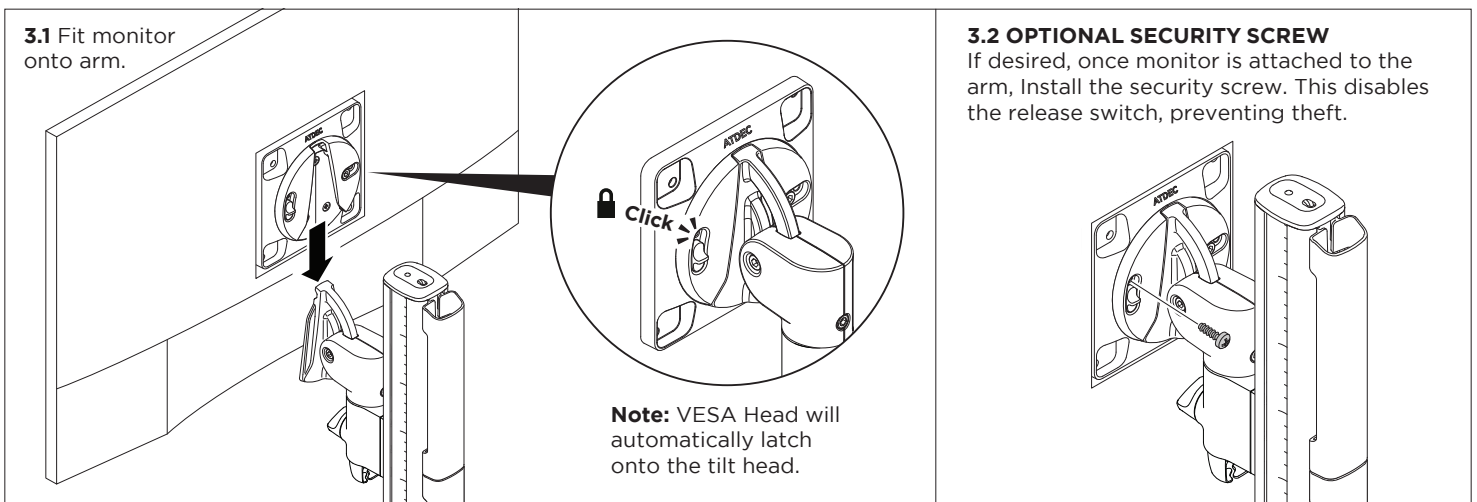
1. Fix arm to post or wall channel



2. Attach VESA head to monitor

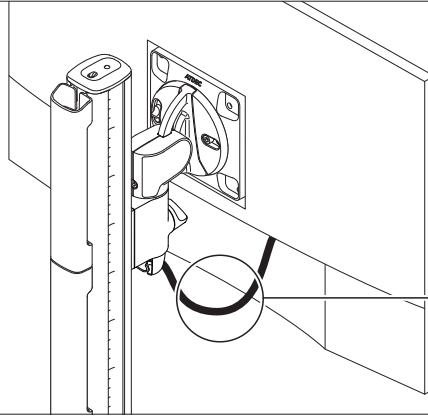


3. Attach monitor to arm



4. Monitor arm cable management

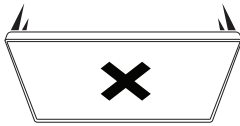
4.1 Plug cables into the monitor and route the cables down the arm using the cable hooks and clips



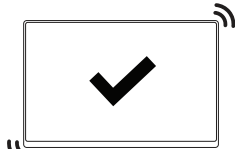
Ensure enough cable slack is given to allow for movement of the monitor

5. OPTIONAL Adjust tilt tension

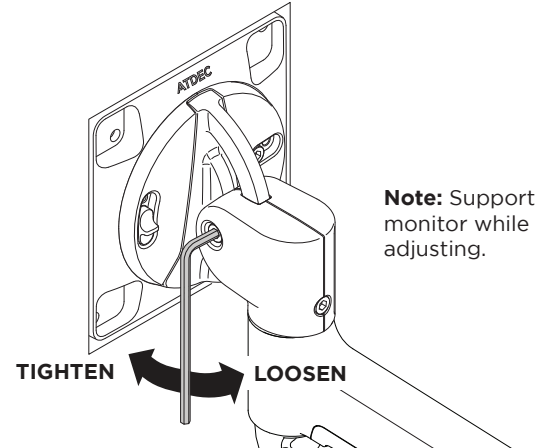
5.1 Factory set tilt tension will be suitable for most monitors.
If required, adjust the tilt tension using the 4mm hex key.



DROOPS FORWARD



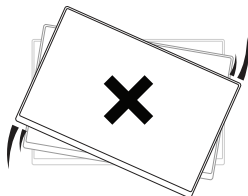
HOLDS POSITION



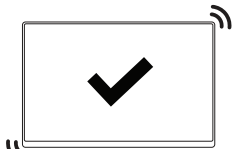
Note: Support monitor while adjusting.

6. OPTIONAL Adjust rotation tension

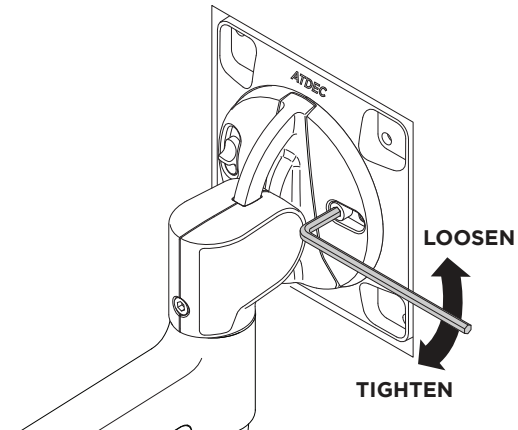
6.1 Tune the rotation tension using 4mm hex key.
Adjustment may only be required for ultrawide monitors.



DRIFTS

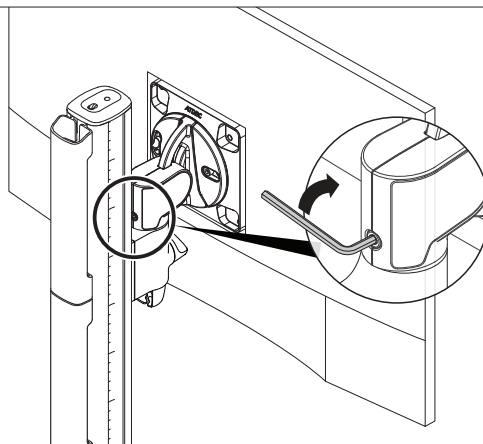


HOLDS POSITION



7. OPTIONAL Adjust arm joint tension

7.1 ARM JOINT TENSION
Arm movement can be adjusted to be firmer or more free. Use the 4mm hex key to adjust the tension of the three pivot joints on the arm.



DO NOT OVERTIGHTEN
Increasing tension only stiffens movement and cannot lock off arm movement.