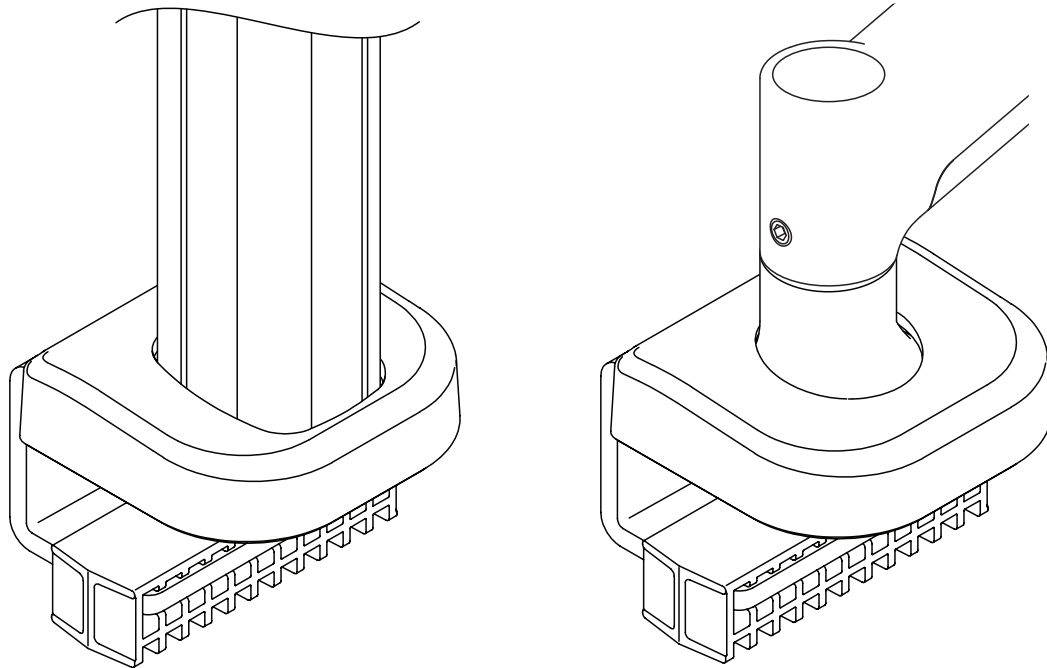
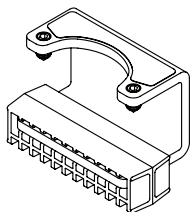


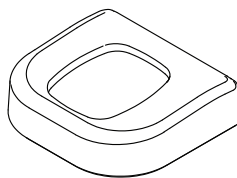
## C Clamp



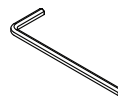
### COMPONENT CHECKLIST



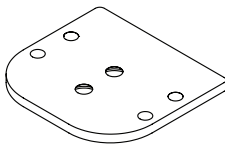
**A**  
C Clamp Bracket  
(x1)



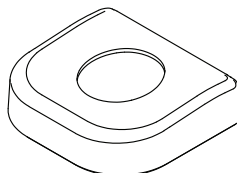
**C**  
Cover for Post  
(x1)



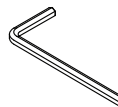
**E**  
4mm  
Hex Key  
(x1)



**B**  
C Clamp Plate  
(x1)



**D**  
Cover for Base  
(x1)



**F**  
5mm  
Hex Key  
(x1)

Desk 

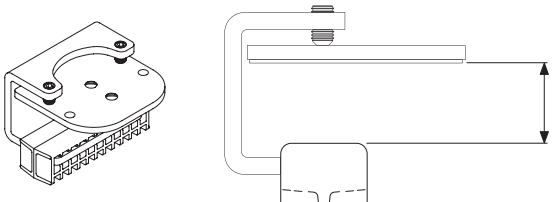
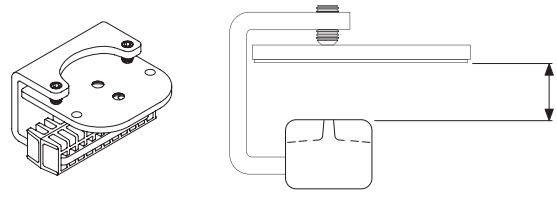
### REQUIRED TOOLS

- All tools supplied

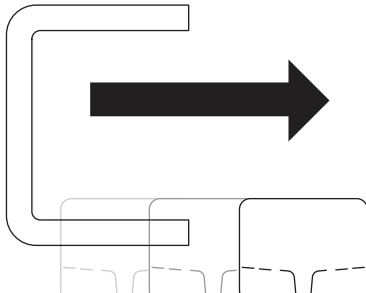
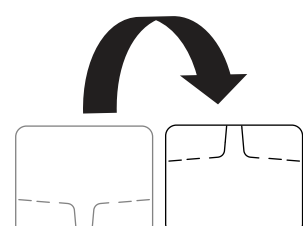
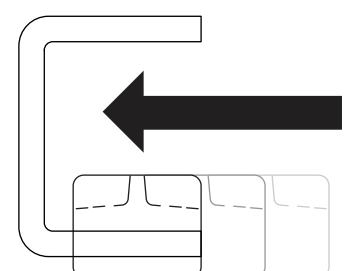
### IMPORTANT INFORMATION

- ! Please ensure this product is installed as per these installation instructions.
- ! This product is compatible with Atdec AWM Series modular products, including Posts (AWM-P) and Base (AWM-LB).
- ! The manufacturer accepts no responsibility for incorrect installation.
- ! Product must only be installed on a work surface capable of supporting the weight of all equipment being mounted.
- ! Product is not suitable for installation on work surfaces with a bullnose or bevelled edge.

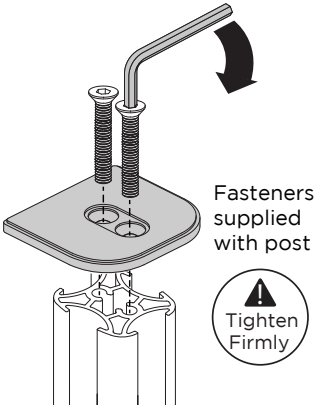
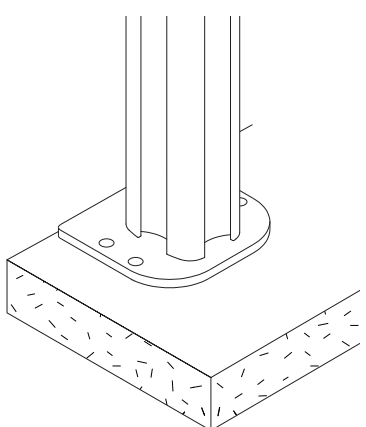
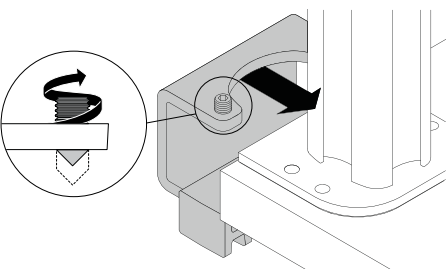
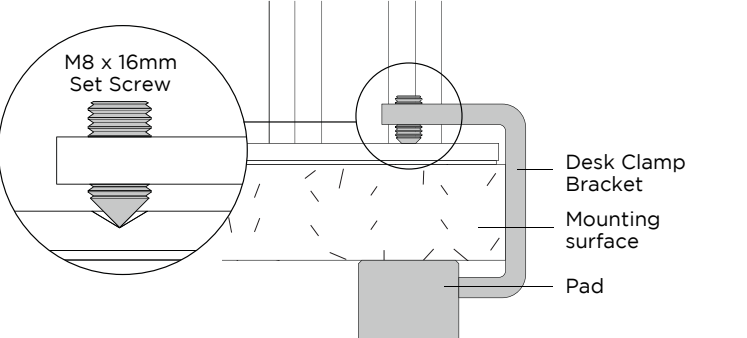
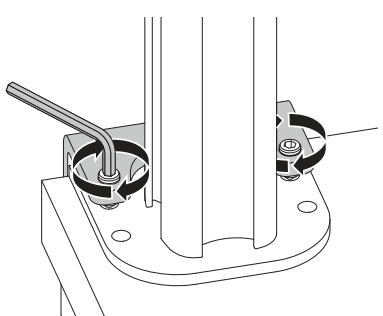
# 1. Check mounting surface thickness

<p><b>1.1</b> For THICKNESS - 25 - 33mm (1 - 1<sup>5</sup>/<sub>16</sub>"")  <b>Go to Step 3.</b> The clamp pad is already configured for these work surface thicknesses.</p> 	<p><b>1.2</b> For THICKNESS 18 - 25mm (1<sup>1</sup>/<sub>16</sub> - 1")  <b>Go to Step 2.</b> The clamp pad needs to be inverted.</p> 
---	---

# 2. Re-configure clamp pad

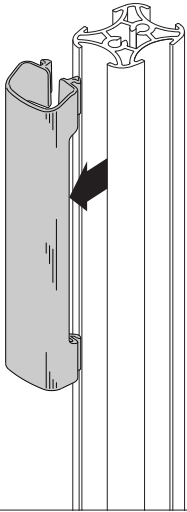
<p><b>2.1</b> Slide pad off.</p> 	<p><b>2.3</b> Invert pad.</p> 	<p><b>2.3</b> Slide pad back on.</p> 
--	---	--

# 3. Post mount configuration (go to Step 5 for base mount installation)

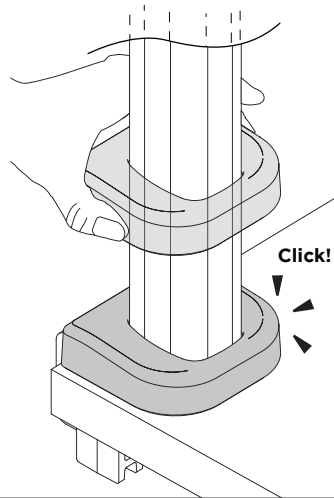
<p><b>3.1</b> Attach plate to post.</p>  <p>Fasteners supplied with post</p> <p><b>Tighten Firmly</b></p>	<p><b>3.2</b> Place in desired location.</p> 	<p><b>3.3</b> Slide the C Clamp bracket over the plate and position screw tips in the indents on the base plate.</p>  <p><b>NOTE:</b> Ensure the bracket screws are retracted using 4mm Hex Key</p>
<p><b>3.4</b> Check the set screws are mounted in position. Also check the desk clamp bracket is positioned tight up against the mounting surface edge.</p>  <p>M8 x 16mm Set Screw</p> <p>Desk Clamp Bracket</p> <p>Mounting surface</p> <p>Pad</p>		<p><b>3.5</b> Tighten the set screws on both sides of the desk clamp bracket evenly.</p> 

## 4. Fitting C Clamp cover to post

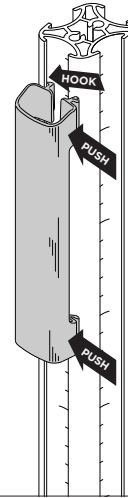
**4.1** Un-clip cable clips and covers from post.



**4.2** Locate the C Clamp cover over the post. Guide over the holes in the base plate and gently apply pressure on the cover until it clicks into place.

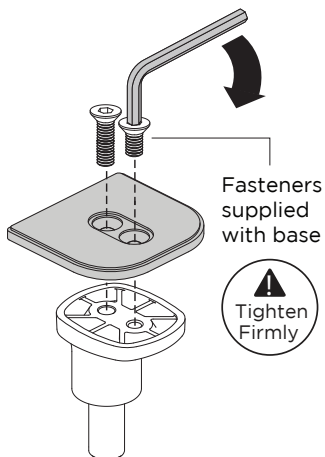


**4.3** Re-attach the cable clips and covers (this can be done during the cable management step when installing the monitor arm).

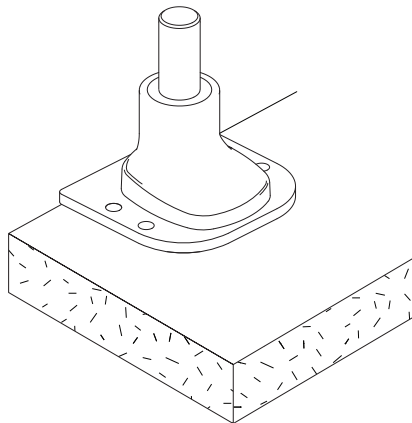


## 5. Base mount installation

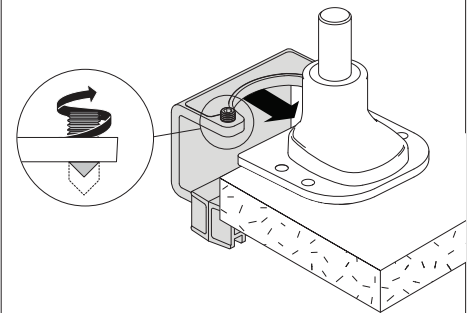
**5.1** Attach plate to base



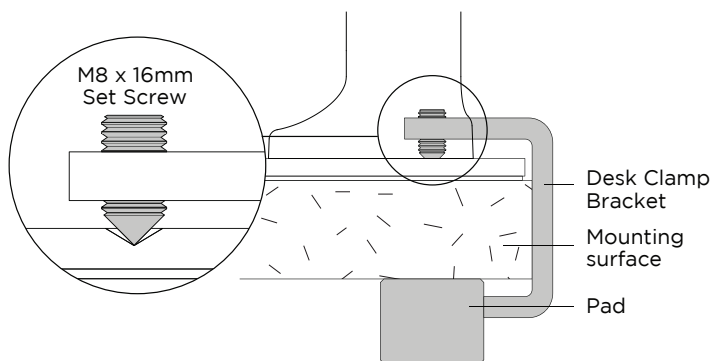
**5.2** Place the base and plate in desired location



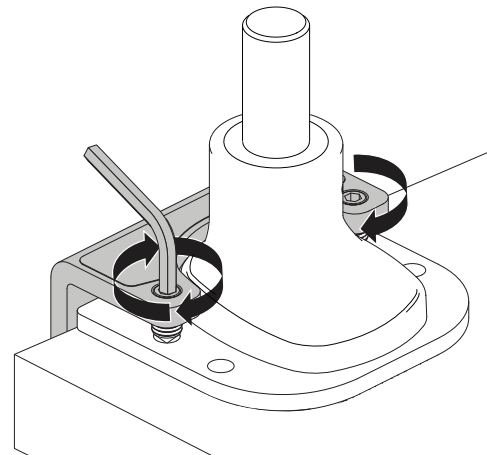
**5.3** Slide the bracket onto the base plate and position screw tips in the indents on the base plate



**5.4** Check the set screws are mounted in position. Also check the desk clamp bracket is positioned tight up against the mounting surface edge.

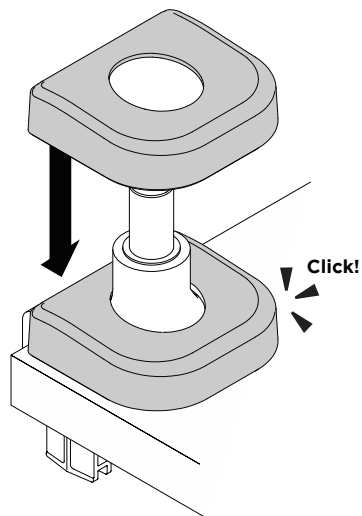


**5.5** Tighten the set screws and on both sides of the desk clamp bracket



## 6. Fitting C Clamp cover to base

**6.1** Locate the Cover for Base over the base. Guide over the holes in the base plate and gently apply pressure on the cover until it clicks into place.



### 6.2 Installation Complete



To continue with installation of your monitor mount, refer to your monitor arm's installation guide.

