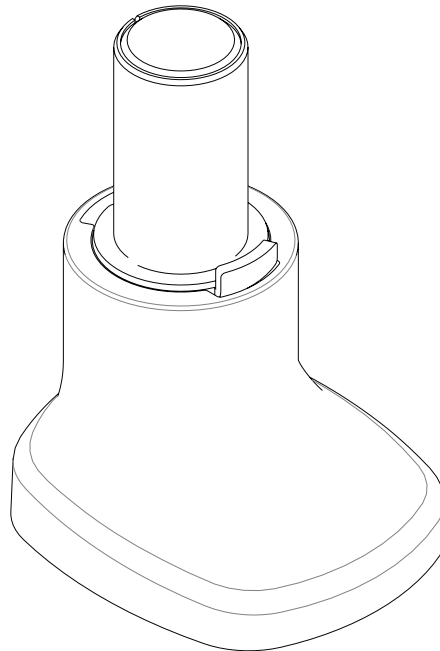
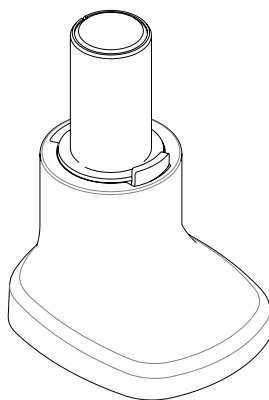


### Arm Base



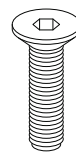
#### COMPONENT CHECKLIST



**A**  
Base  
(x1)



**B**  
Screw  
M8x16  
(x1)



**C**  
Screw  
M8x30  
(x1)

Desk 

#### REQUIRED TOOLS

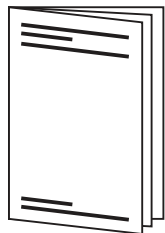
- All tools provided

#### IMPORTANT INFORMATION

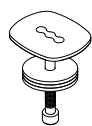
- ! Please ensure this product is installed as per these installation instructions.
- ! Do not remove/ throw away the plastic sleeve on the base.
- ! This product is compatible with AWM Series Arms and Fixings.
- ! The manufacturer accepts no responsibility for incorrect installation.

## 1. Attach Base to fixing (fixing sold separately)

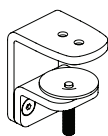
1.1 Follow the installation guide provided with the fixing to attach the Base and fit it to the worksurface.



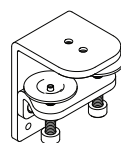
### AWM Fixing options



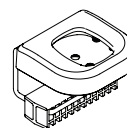
**Bolt Through Kit**  
AWM-FB



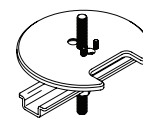
**F Clamp**  
AWM-FF



**Heavy Duty F Clamp**  
AWM-FH



**C Clamp**  
AWM-FC

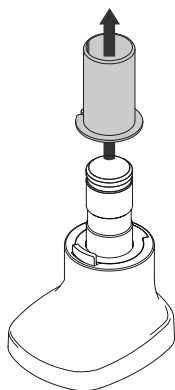


**Grommet Clamp**  
AC-GC

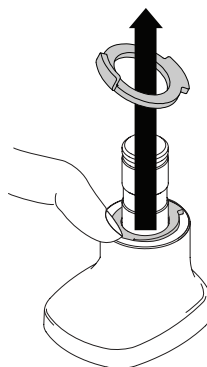
## 2. (Optional) Set arm rotation to 360°

Note rotation is set to 180° by default. This will protect the wall by preventing the arm swinging into it.

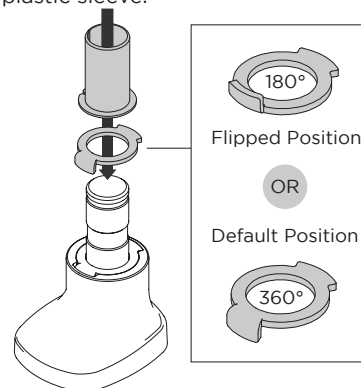
2.1 Remove plastic sleeve.



2.2 To remove rotation ring press down on front edge and lift.



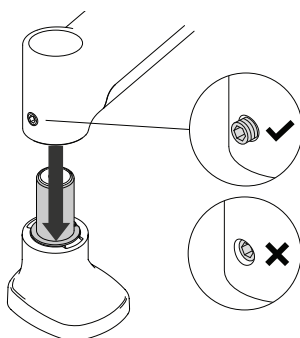
2.3 Replace rotation ring in the desired orientation and **replace** plastic sleeve.



## 3. Fit arm onto Base

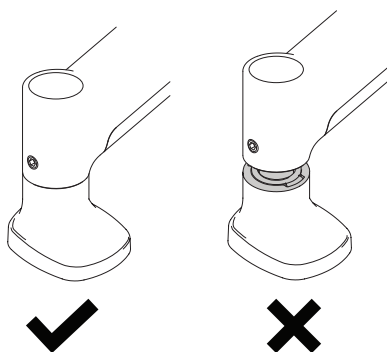
3.1 Push arm onto base, grub screw must be backed off at this time.

**NOTE:** Ensure plastic sleeve is on shaft before fitting arm.

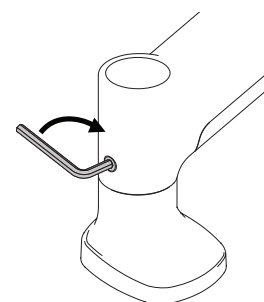


**NOTE:** Arm sold separately

3.2 Ensure arm is fully pushed onto base.



3.3 Tighten set screw.



**NOTE:** Check the arm pan adjustment is smooth after tightening.