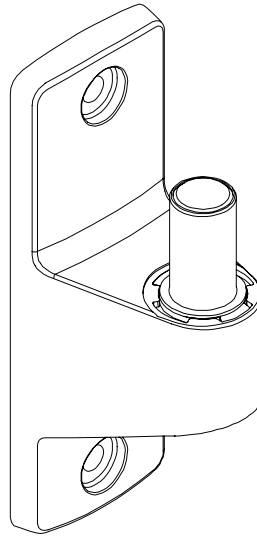
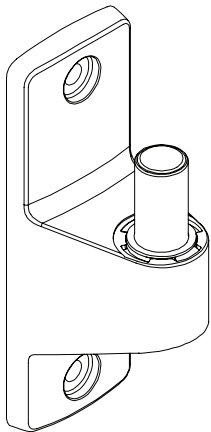


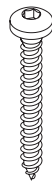
AWM Single Wall Bracket



COMPONENT CHECKLIST



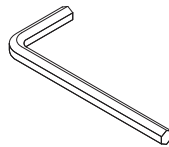
A
Single Wall Bracket
(x1)



B
M8x70mm
Screw
(x2)



C
Washers
(x2)



D
6mm
Hex Key
(x1)



REQUIRED TOOLS

- Power drill
- Suitable drill bit
- Driver bit for selected wall fasteners
- Stud finder
- Spirit level

WEIGHT RANGE

0 - 18kg
(0 - 40lb)

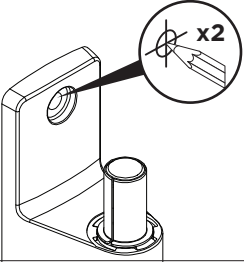
Monitor weight should be within the weight range of all modular elements that make up the complete monitor mounting solution.

IMPORTANT INFORMATION


- ! **Please ensure this product is installed as per these installation instructions.**
- ! **Do not remove or throw away the plastic sleeve on wall bracket.**
- ! The manufacturer accepts no responsibility for incorrect installation.
- ! Failure to install this product correctly may cause serious injury/death during or following installation.
- ! This product is not suitable for outdoor use.
- ! Do not use this product for mobile applications.
- ! This product should only be installed by professional installers of good mechanical aptitude, who have experience with building construction, and fully understand these instructions and the consequences of incorrect installation.
- ! Supplied wall fasteners are for timber stud wall constructions **only**. For other wall constructions, such as masonry, alternative suitable wall fasteners should be sourced by the installer.
- ! To safely achieve the full capacity of this product, wall fasteners must have a pull-out (tension) force rating of at least 100kg (1000N) **per** fastener. This rating must include a safety factor.
- ! Professional installer to ensure adequate structural capacity of wall (including appropriate safety factor) to support total weight of all equipment being mounted.
- ! Drilling into electrical wires can cause death - use appropriate equipment and caution when drilling holes in walls to avoid electrical cables, water pipes and gas pipes. Do not drill into structures unless you have established it's safe to do so.
- ! Curved monitors, deep devices (such as all-in-one PCs), VESA mounted accessories (such as mini PC brackets and mounts), and offset VESA locations exert additional leverage that can exceed the capacity of the mount even though the monitor weight may be within the stated range. Please contact Atdec if you would like further information.

1. Mount the Wall Bracket to the Wall

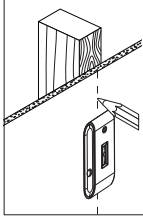
Using the Single Wall Bracket as a template, mark the two fixing hole positions for drilling.



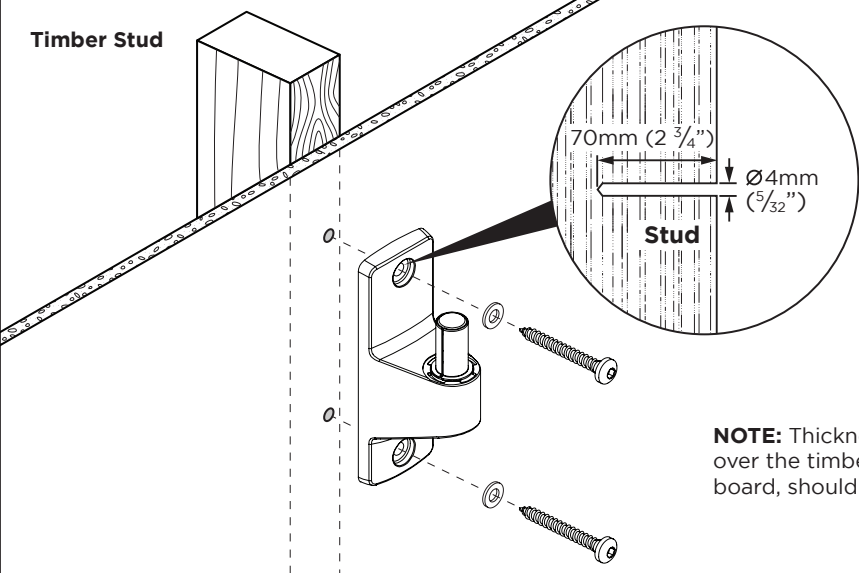
NOTE: Wall bracket must be level. Verify using a quality spirit level tool positioned along the side edge of the wall bracket.



NOTE: On a timber stud wall, use a good quality stud finder to position mounting fasteners in the centre of studs.



Timber Stud



NOTE:

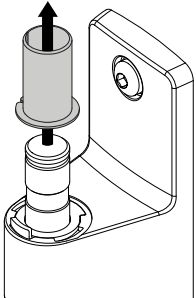
- Alternative wall constructions, such as masonry, will require different fasteners than what is supplied with the product.
- Selection and sourcing of alternative wall mounting fasteners is the responsibility of the installer. See 'Important Information' above for more details.

NOTE: Thickness of sheeting and cladding over the timber stud, including plaster board, should not exceed 15mm (5/8").

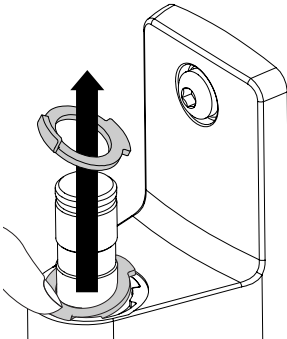
2. (Optional) Set arm rotation to 360°

Note rotation is set to 180° by default. This will protect the wall by preventing the arm swinging into it.

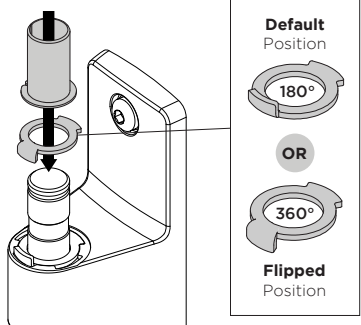
2.1. Remove plastic sleeve from wall bracket



2.2. Remove rotation ring.

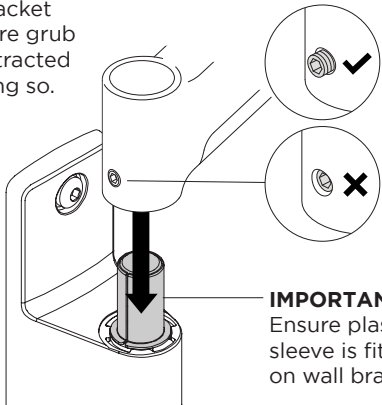


2.3. Place rotation ring in desired position and replace plastic sleeve.

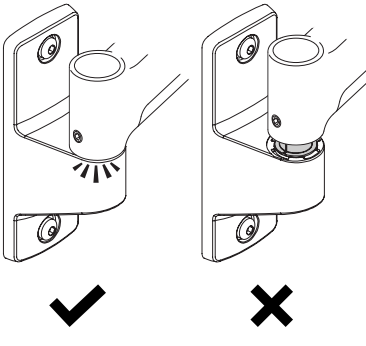


3. Fit arm to Single Wall Bracket

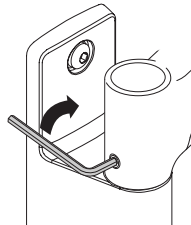
3.1. Push arm onto the wall bracket shaft. Ensure grub screw is retracted before doing so.



3.2. Ensure arm is fully pushed onto bracket.



3.3. Tighten the set screw with 4mm Hex Key (supplied with arm) to secure the arm in place.



NOTE: Check the joint rotation is smooth after tightening.