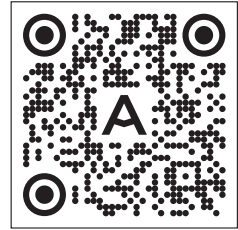
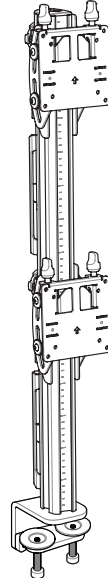


Post Mounted Heavy Duty Dual Vertical Monitor Mount

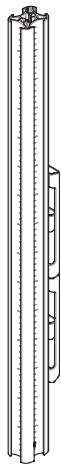
Heavy Duty F Clamp



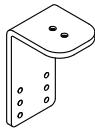
Scan to access
more information



COMPONENT CHECKLIST



A
Post
(x1)



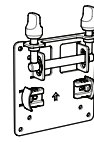
B
Upper Clamp
(x1)



C
Lower Clamp
(x1)



D
Bracket
(x2)



E
VESA Plate
(x2)



F
4mm/5mm
Hex Key
(x1 each)



G
M8x60mm
Screw
(x2)



H
M8x16mm
Screw
(x2)



I
Post Cap
(x1)



J
M4x10mm Screw
(x8)



K
M4x20mm Screw
(x8)



L
10mm Spacer
(8x)

Desk 

REQUIRED TOOLS

- Phillips Head Screwdriver

CAPACITY (per monitor)

Flat Monitor
4.5 - 25kg (10 - 55lb)

Curved Monitor
4.5 - 18kg (10 - 40lb)

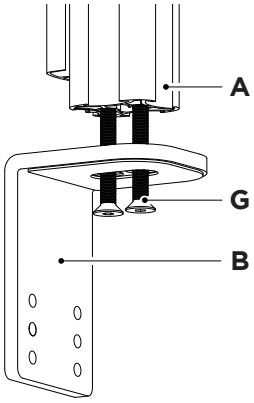
Display Size
24" - 57"
340mm (13.4") max overall
curved display depth

IMPORTANT INFORMATION

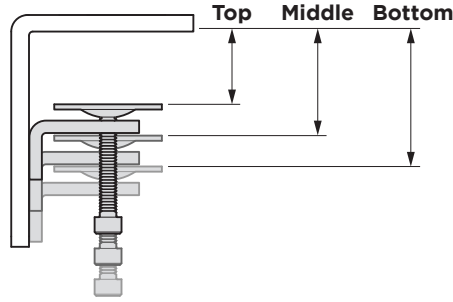
- ! **Product should only be assembled and used as per these installation instructions.**
- ! The manufacturer accepts no responsibility for incorrect installation.
- ! Each bracket supports a maximum weight as per above capacity specification.
- ! Avoid applying downward load to corners of display.
- ! Product must only be installed on a solid work surface capable of supporting the weight of all equipment being mounted.
- ! This product is not suitable for outdoor use.
- ! Do not use this product for mobile applications.
- ! Curved monitors, deep devices (such as all-in-one PCs), VESA mounted accessories (such as mini PC brackets and mounts), offset VESA locations, and unevenly weighted monitors (relative to the center of the VESA mounting interface) exert additional leverage that can exceed the capacity of the mount even though the monitor weight may be within the stated range. Please contact Atdec if you would like further information.
- ! **WARNING!** Death or serious injury may occur if a child climbs on or tips product.

1. Assemble post to clamp

1.1 Attach post to upper clamp using the M8x60mm screws and 5mm hex key.

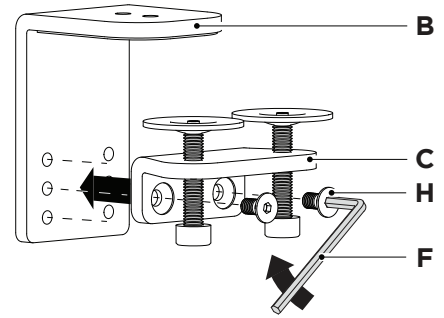


1.2 Measure the worksurface thickness and choose the suitable lower clamp position.



Top	0 - 38mm (0 - 1 1/2")
Middle	11 - 53mm (7/16" - 2 1/16")
Bottom	25 - 68mm (1" - 2 5/8")

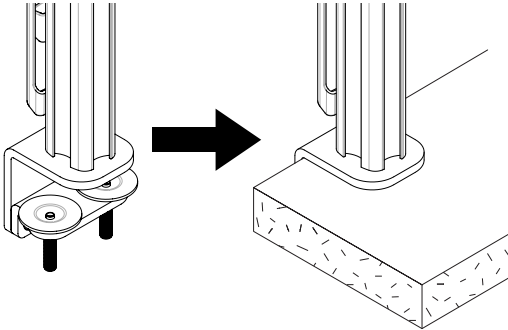
1.3 Attach lower clamp to upper clamp in the suitable position using the M8x16mm screws and 5mm hex key.



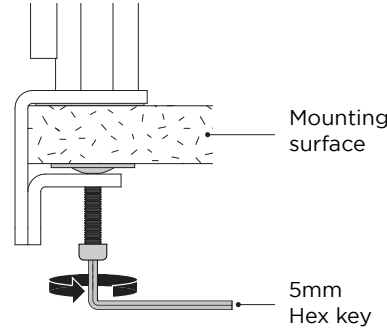
Note: If there is only a small gap behind the worksurface perform **Step 2.1** before this step

2. Fit clamp to work surface

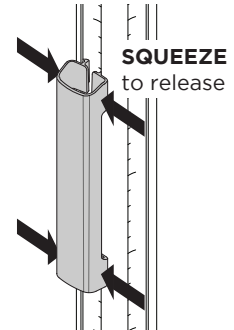
2.1 Place in desired location on worksurface.



2.2 Screw in both pressure plates and **tighten evenly and firmly.**

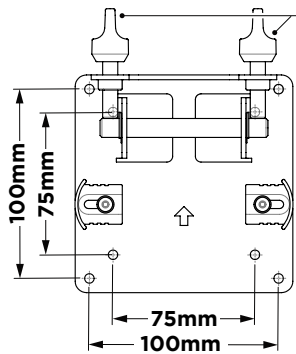


2.3 Remove clips & covers from post by sliding up & out or by squeezing sides.



3. Attach VESA plates to displays

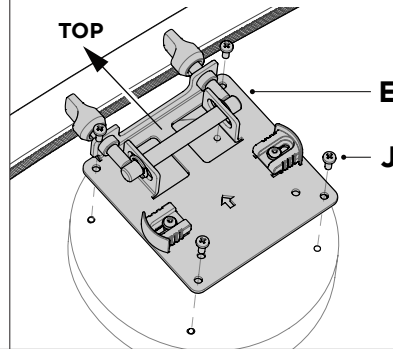
3.1 VESA compatibility.



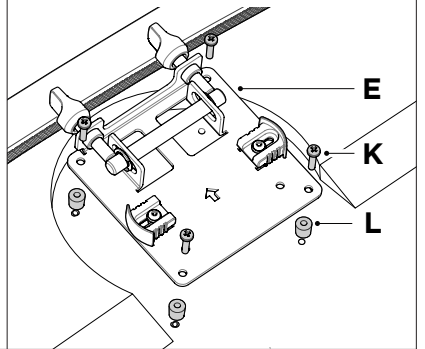
For 75mm VESA unscrew 5mm to access top holes

NOTE: Some displays require the use of a VESA adapter before attaching the VESA plate. This VESA adapter may ship in the box with the display. Consult your display's installation guide for further information.

Option A
Attach VESA plate with M4x10mm screws.



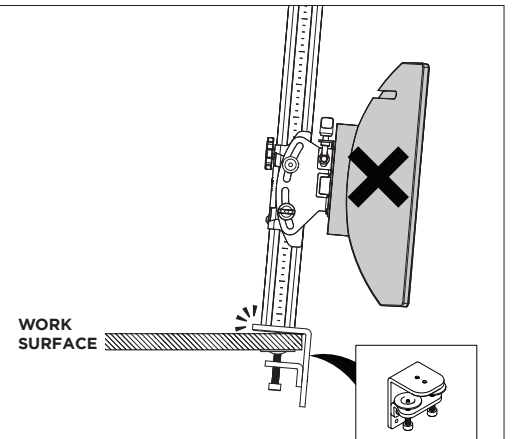
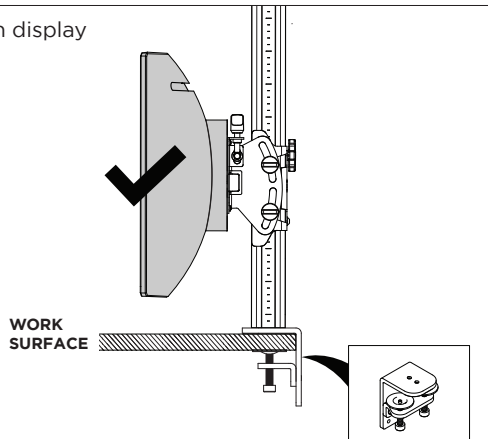
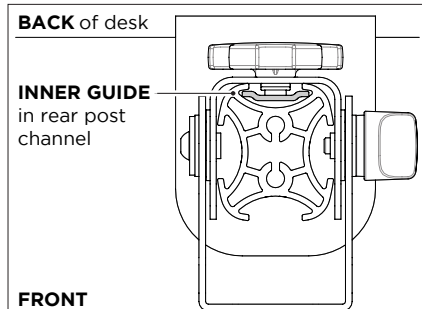
Option B
For recessed VESA use 10mm spacers and M4x20mm screws.



4. Slide brackets onto post and set height

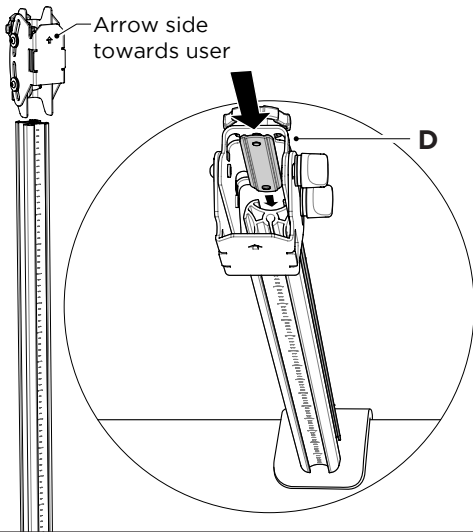
4.1 Tilt bracket must only be attached with display facing the front of the mounting surface.

VIEW FROM ABOVE



4.2 Line up the inner guide on rear of bracket with rear channel on post.

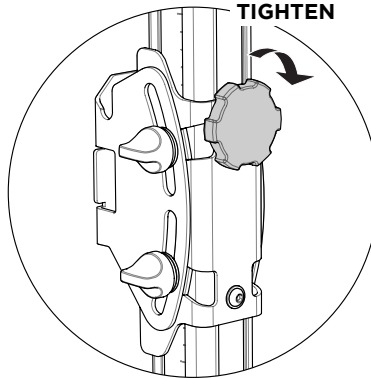
Slide inner guide into channel, then lower bracket.



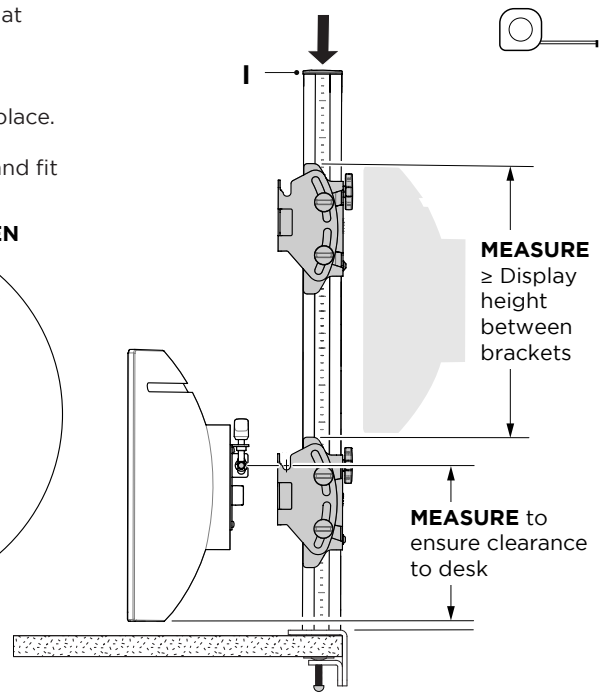
4.3 Firmly tighten hand knob at chosen height.

Ensure height is sufficient for display to clear desk once in place.

Repeat with second bracket and fit post cap.



WARNING:
Never loosen knob while display is on bracket

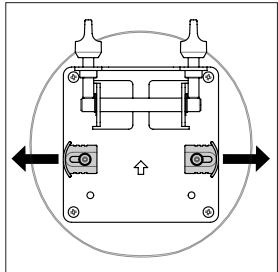


5. Attach bottom display

5.1 Set VESA plate clips to open position.

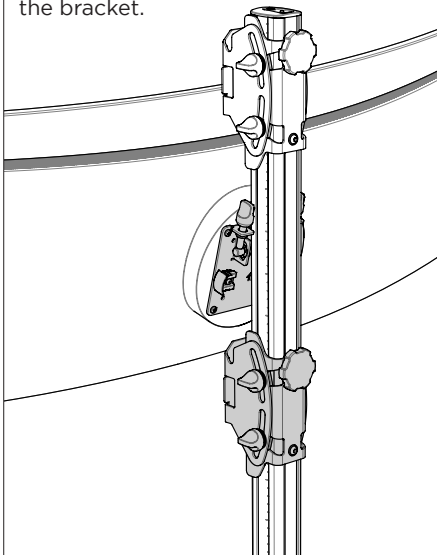
Bottom display must be attached to bracket first.

WARNING:
Use two people to install display

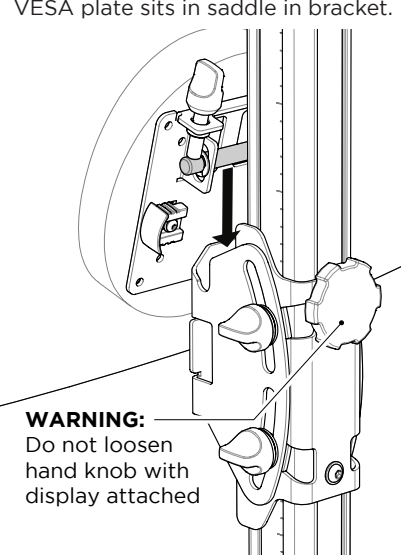


OPEN

5.2 Lift display until VESA plate is above the bracket.



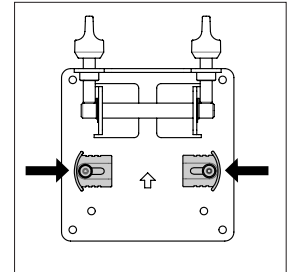
5.3 Centre VESA plate close to post and slowly lower until bar on VESA plate sits in saddle in bracket.



WARNING:
Do not loosen hand knob with display attached

5.4 Set VESA plate clips to closed position.

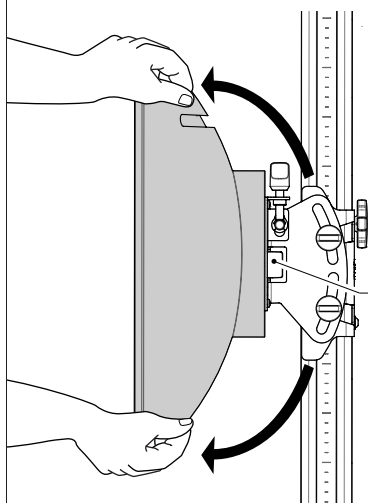
NOTE:
Display hangs from the bracket like a painting. After clips are closed, if corners of the screen are pushed downwards, rocking movement is expected.



CLOSED

6. Set tilt

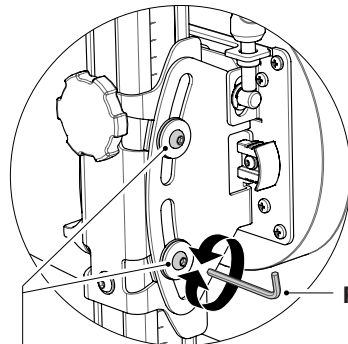
6.1 Adjust display tilt angle by gripping edges of screen and rolling up or down to desired position.



WARNING:
Ensure clips closed before tilting

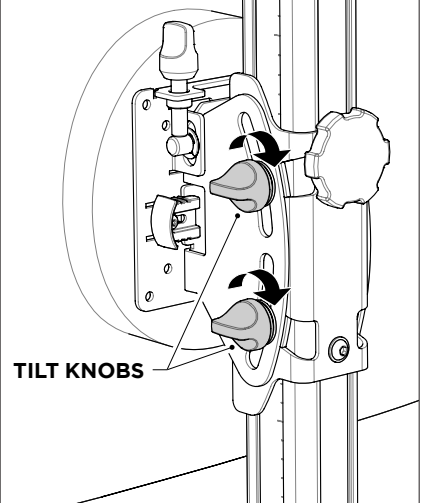
OPTIONAL ADJUSTMENT - TILT FRICTION

4mm hex key can be used to reduce tilt friction (for light screen) or increase tilt friction (for heavy screen).



Clockwise = More friction
Anti-clockwise = Less friction

6.2 Set display angle by tightening tilt knobs.



7. Attach top display

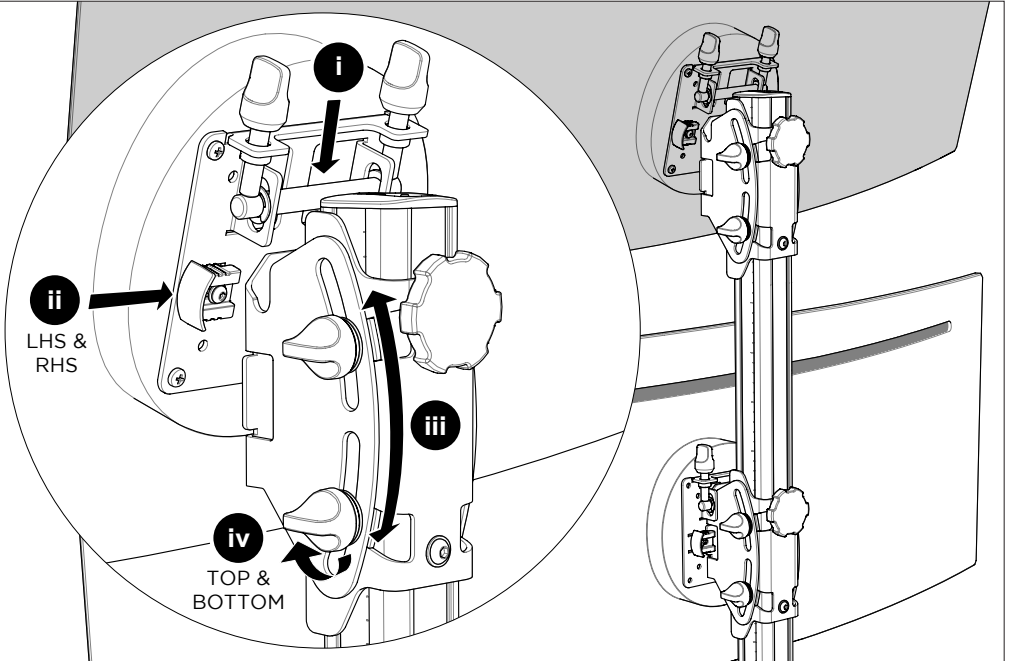
7.1 Check that distance between brackets is equal to or greater than the height of the display. (See image in **Step 4.3**)

WARNING:

Damage to monitors may occur if there is insufficient spacing between brackets. Top monitor must hang in bracket - not be held up by the monitor below it. After both displays are attached, use fine adjustment to close gap between them (see **Step 8**).

7.2 Repeat **Step 5** & **Step 6** to attach top display and set tilt angle.

- i** Lower
- ii** Close
- iii** Adjust angle
- iv** Set angle



8. Fine adjustment

8.1 To correct horizontal angle of display +/- 2°:

Turn a single fine tune adjustment knob to adjust angle of screen.

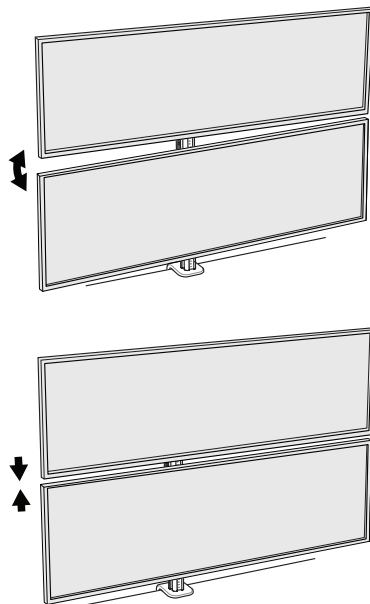
Clockwise = Higher
Anti-clockwise = Lower

TIP:
For extra precision use a spirit level

8.2 To close small gap between displays +/-6mm (1/4"):

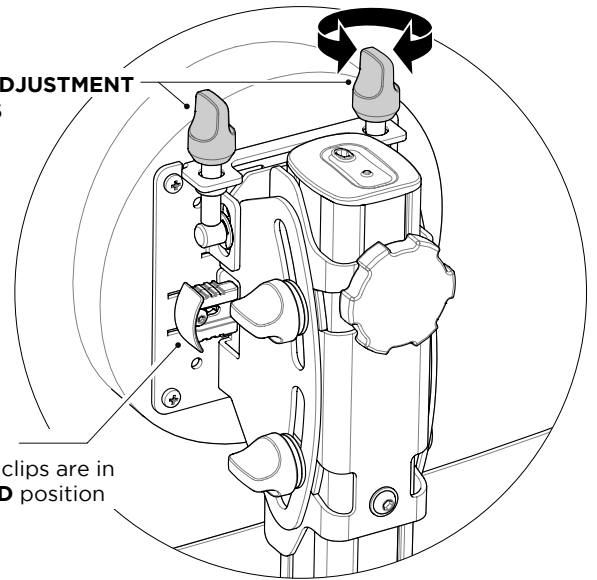
Turn both fine tune adjustment knobs - alternating sides a few rotations at a time.

Clockwise = Higher
Anti-clockwise = Lower



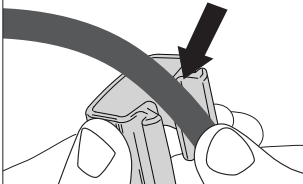
FINE ADJUSTMENT KNOBS

NOTE:
Ensure clips are in **CLOSED** position

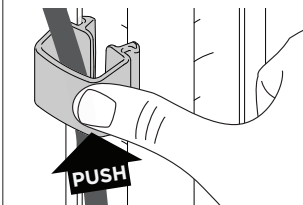


9. Cable management

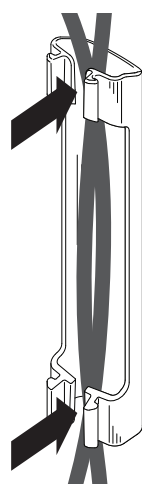
9.1 Load cables into cable clip.



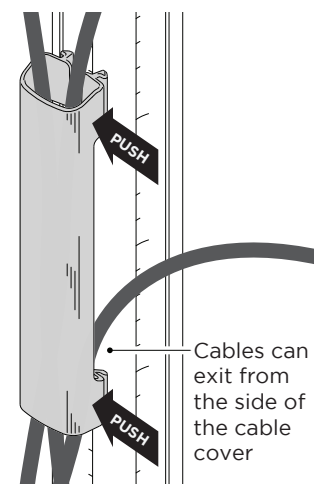
9.2 Insert one side of the cable clip into a channel on the post, then push in the other side.



9.3 Load cables into cable cover.



9.4 Clip the cable cover back onto rear post channels.



Cables can exit from the side of the cable cover

