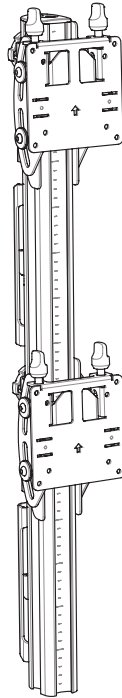


Post Mounted Heavy Duty Dual Vertical Monitor Mount



FEATURES

- Desk mounting solution for two large displays (deep, curved or ultrawide) in a vertical configuration
- Compatible with Heavy Duty F Clamp (AWM-FH) or Grommet Mount (AC-GC)
- Tool free height and tilt adjustment
- Balanced tilt for ease of setting optimum screen angle
- Micro adjustment provides the ability to fine tune small gaps between monitors and level screens
- Quick connect display attachment

Monitor weight	(per monitor)
Flat	4.5 - 25kg (10 - 55lb)*
Curved	4.5 - 18kg (10 - 40lb)*
Monitor size	24" - 57"
Max. overall monitor depth	340mm (13.4")
Tilt adjustment	+12° / -8°
Height adjustment	598mm (23.5")
Micro adjustment	
Fine tune height	+6mm/-6mm (+¼"/-¼")
Levelling	+2° / -2°
VESA mounting	75x75 100x100
Primary materials	Aluminium, Steel

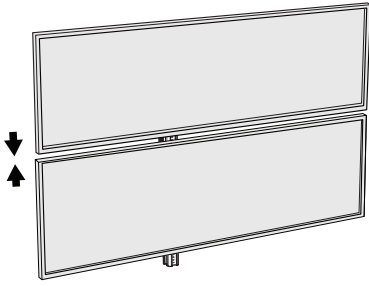
*Curved monitors, deep devices (such as all-in-one PCs), VESA mounted accessories (such as mini PC brackets and mounts), offset VESA locations, and unevenly weighted monitors (relative to the center of the VESA mounting interface) exert additional leverage that can exceed the capacity of the mount even though the monitor weight may be within the stated range. Please contact Atdec if you would like further information.

WARRANTY

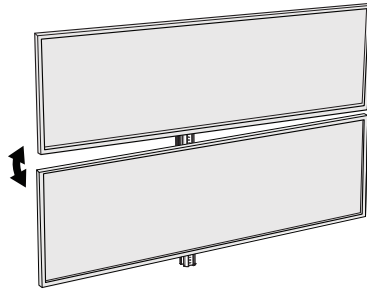
10 years limited

MOVEMENT

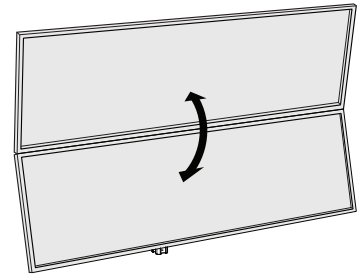
Micro adjustment - Fine tune height
+/- 6mm (0.25")



Micro adjustment - Levelling
+/- 2°



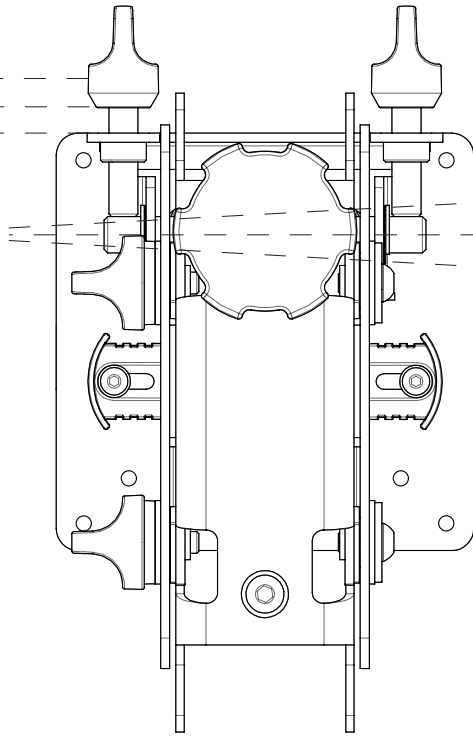
Tilt angle
+12°/-8°



Fine tune height
adjustment

+6mm
(0.25")

-6mm
(0.25")



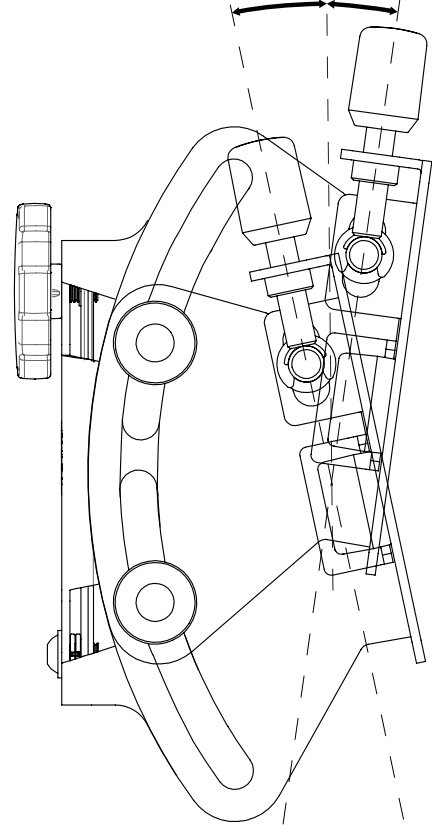
Levelling
adjustment

+2°

-2°

BACK VIEW

Tilt angle +12° -8°

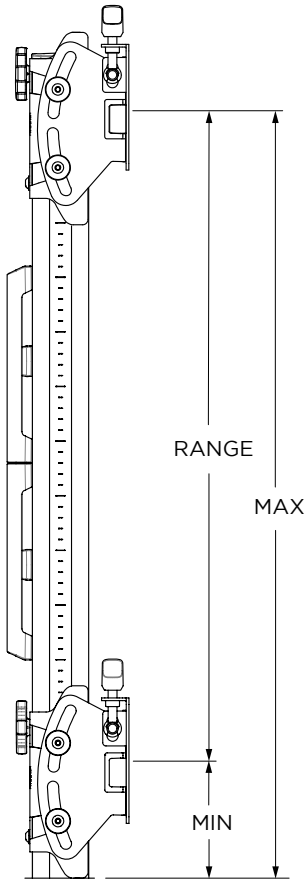


SIDE VIEW

DIMENSIONS - TILT BRACKET ON 750 POST

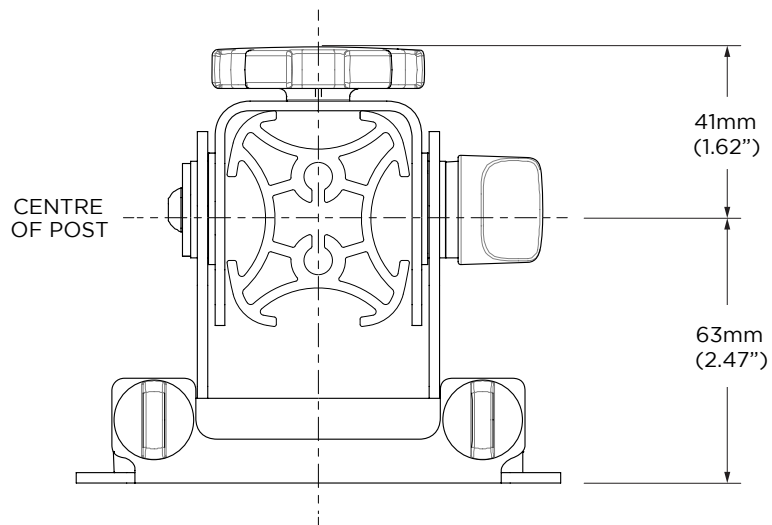
Important Note:

Measurements taken from centre of VESA mount.

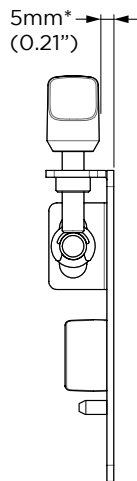


HEIGHT ON 750 POST	MIN	MAX	RANGE
Grommet Clamp (AC-GC)	108mm (4.25")	706mm (27.80")	598mm (23.54")
Heavy Duty F Clamp (AWM-FH)	108mm (4.25")	706mm (27.80")	598mm (23.54")

DIMENSIONS - TILT BRACKET ON POST

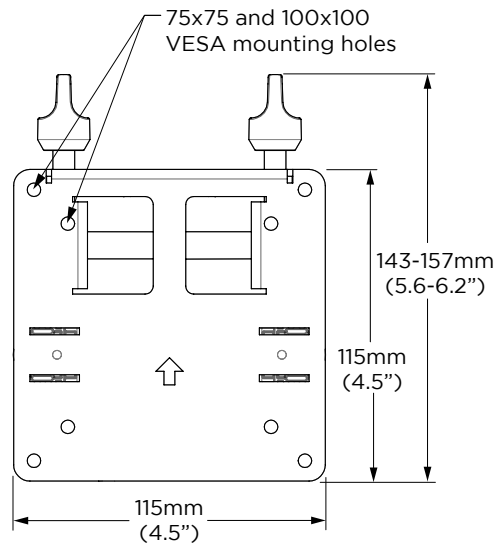


VESA BRACKET DIMENSIONS



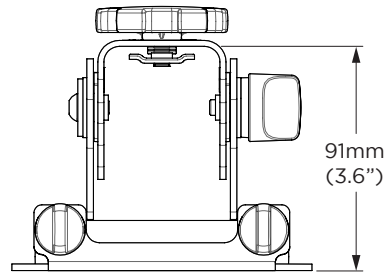
* Supplied 10mm spacers may be required for recessed monitor surfaces

SIDE VIEW

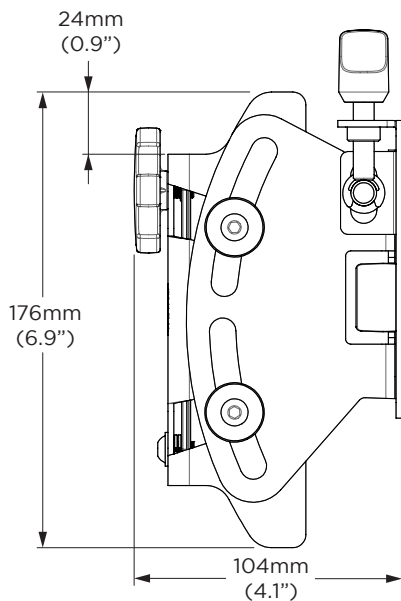


FRONT VIEW

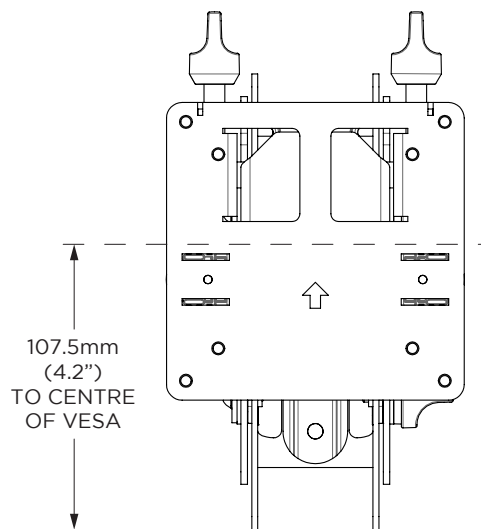
TILT BRACKET DIMENSIONS



TOP VIEW

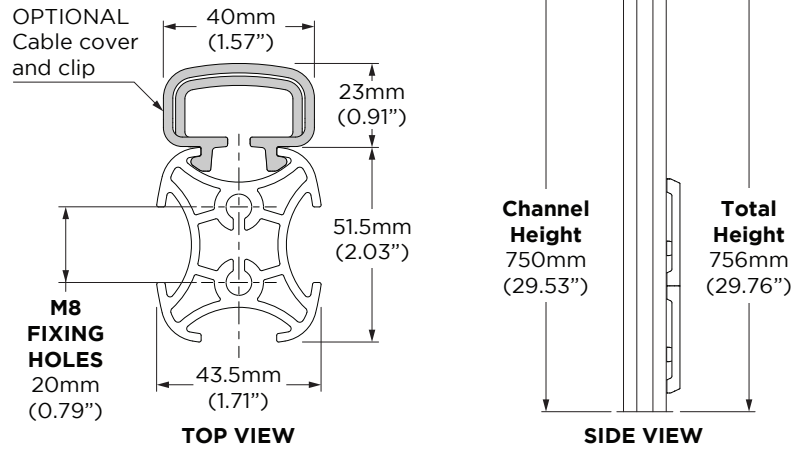


SIDE VIEW

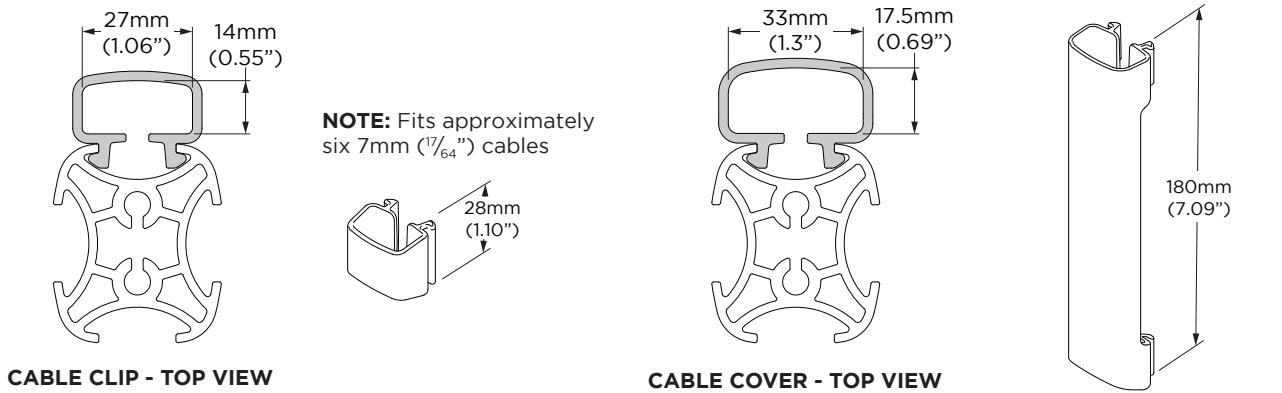


FRONT VIEW

DIMENSIONS - POST



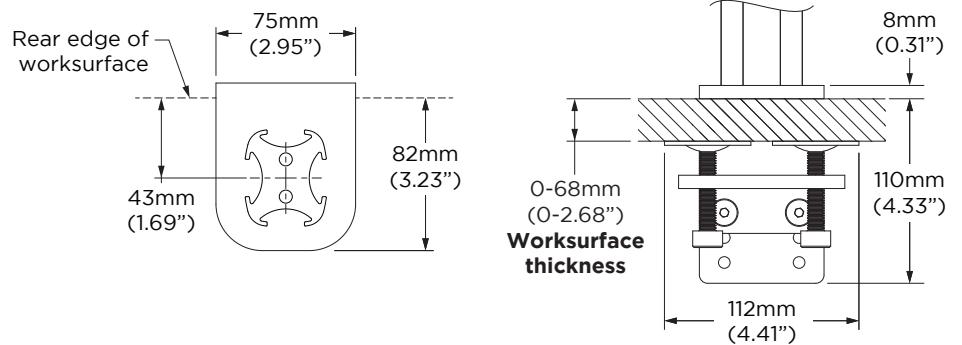
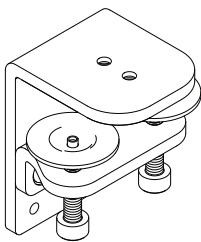
DIMENSIONS - CABLE MANAGEMENT



DESK FIXING

Below are the fixing options. For more information and detailed specifications for these products please see the separate Technical Specifications available on the Atdec website.

Heavy Duty F Clamp AWM-FH



Grommet Mount AC-GC

