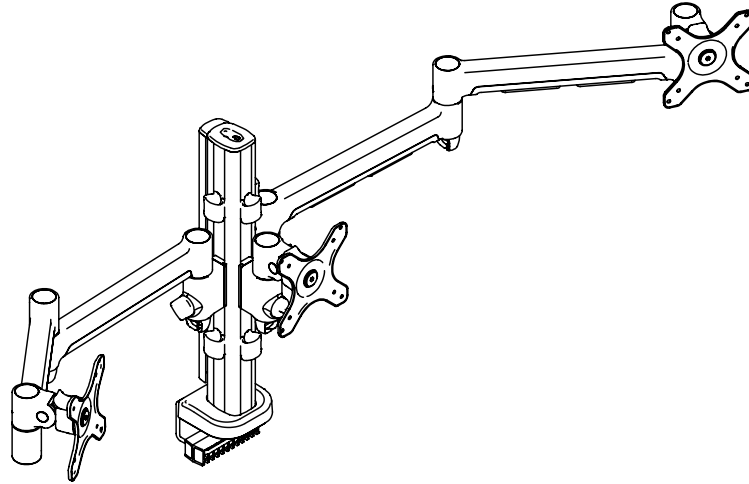
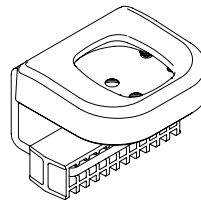
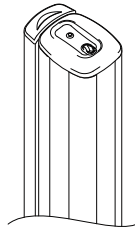
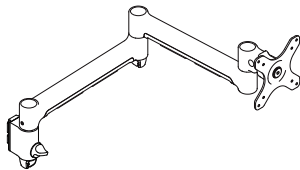
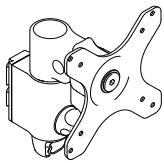


### 1 x 130 Arm and 2 x 710 Arm on 400 Post with C-Clamp



#### COMPONENT CHECKLIST

#### RANGE



**A**  
AWM-A13  
130 Arm  
(x1)

**B**  
AWM-A71  
710 Arm  
(x2)

**C**  
AWM-P40  
400 Post  
(x1)

**D**  
AWM-FC  
C-Clamp  
(x1)

#### CONTENTS

##### C-Clamp

Page 2  
Page 3

##### AWM-FC

Component Checklist  
Clamp Installation

##### 400 Post

Page 6  
Page 7

##### AWM-P40

Component Checklist  
Post Installation

##### 130 Arm

Page 8  
Page 9  
Page 10  
Page 11

##### AWM-130

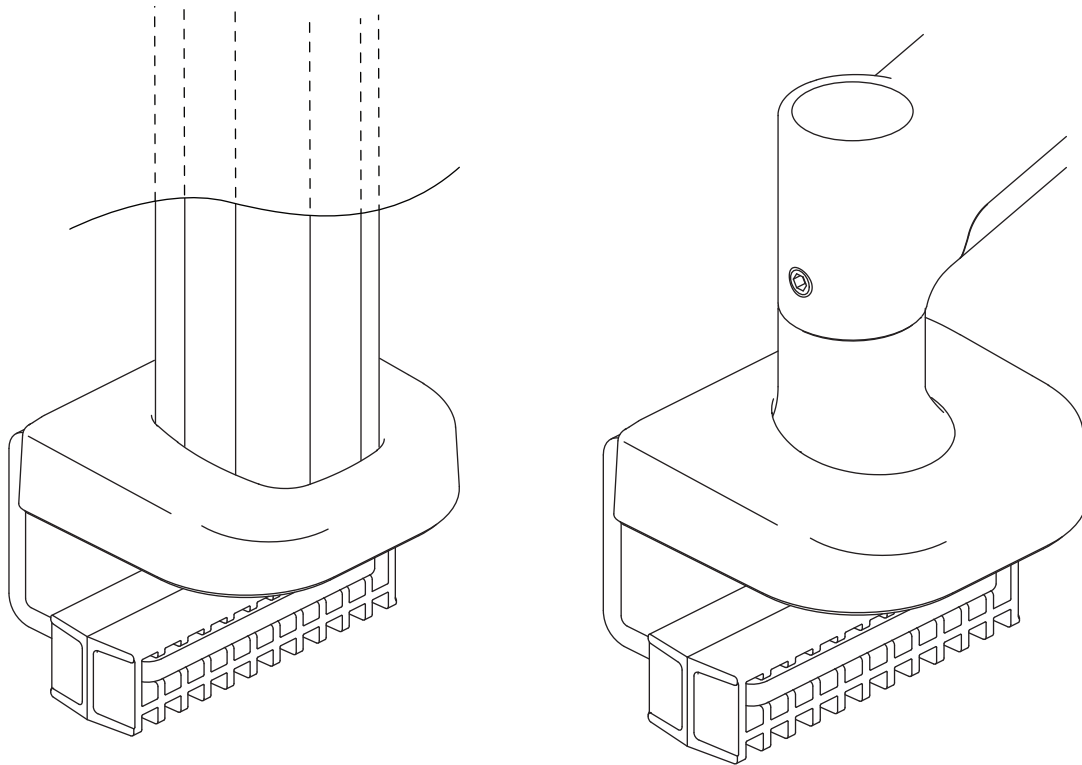
Component Checklist  
Arm Installation  
Monitor Installation  
Cable Management

##### 460 Arm

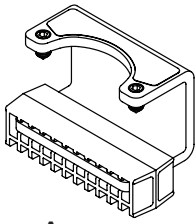
Page 12  
Page 13  
Page 14  
Page 15

##### AWM-460

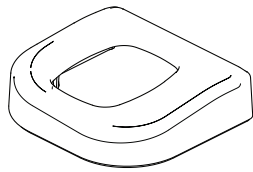
Component Checklist  
Arm Installation  
Monitor Installation  
Cable Management



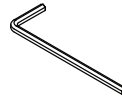
## COMPONENT CHECKLIST



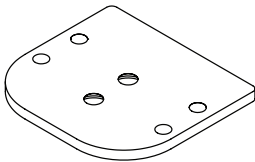
**A**  
C Clamp Bracket  
(x1)



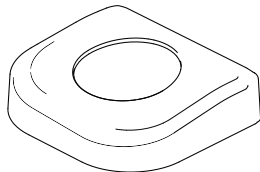
**C**  
Cover for Post  
(x1)



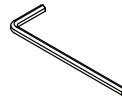
**E**  
4mm Allen key  
(x1)



**B**  
C Clamp Plate  
(x1)



**D**  
Cover for Base  
(x1)



**F**  
5mm Allen key  
(x1)

## REQUIRED TOOLS

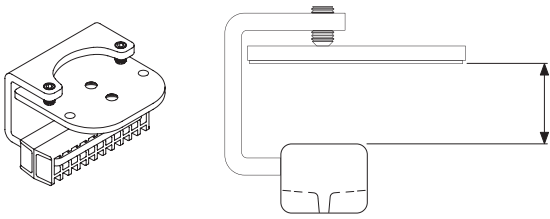
- All tools supplied

## IMPORTANT INFORMATION

- ! Please ensure this product is installed as per these installation instructions.
- ! This product is compatible with Atdec modular (AWM) products.
- ! The manufacturer accepts no responsibility for incorrect installation.

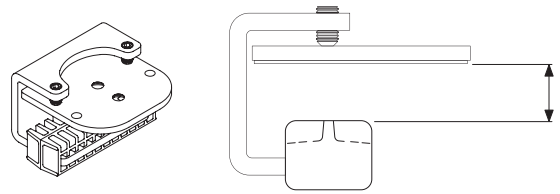
## 1. C Clamp overview

**1.1** Default - This is the "out of the box" configuration



**MIN THICKNESS** - 25mm (1")  
**MAX THICKNESS** - 33mm (1<sup>5</sup>/<sub>16</sub>" )

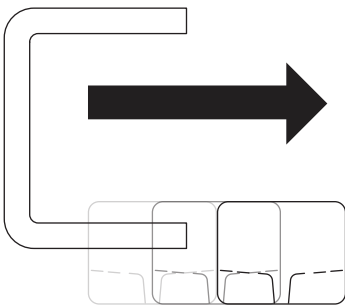
**1.2** Inverted - The C Clamp can be reconfigured for thicker surfaces



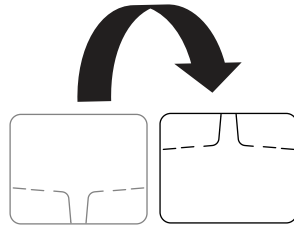
**MIN THICKNESS** - 18mm (11/<sub>16</sub>" )  
**MAX THICKNESS** - 25.8mm (1" )

## 2. Re-configure Clamp

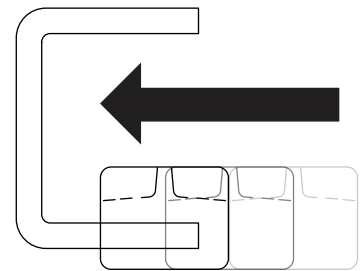
**2.1** Slide pad off



**2.3** Invert pad

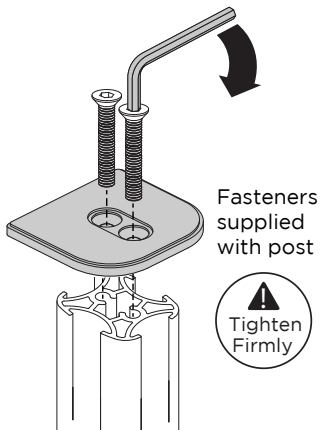


**2.3** Slide pad back on

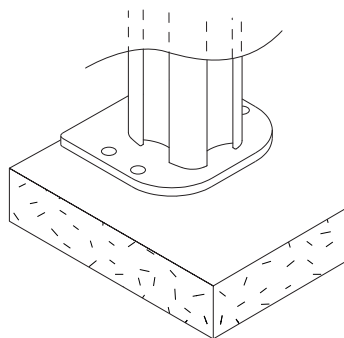


## 3. Post mount configuration

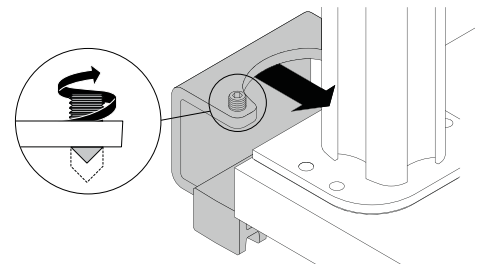
**3.1** Attach plate to post



**3.2** Place in desired location

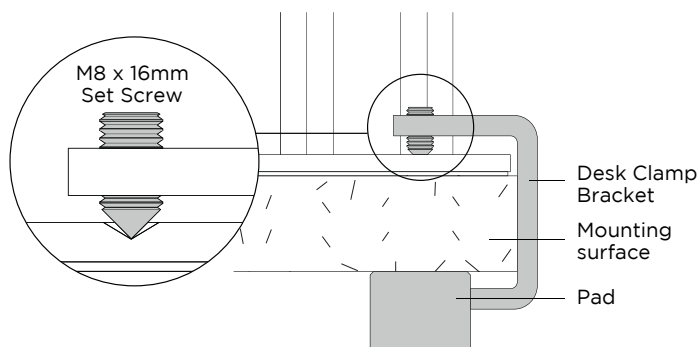


**3.3** Slide the C Clamp bracket over the plate and position screw tips in the indents on the base plate

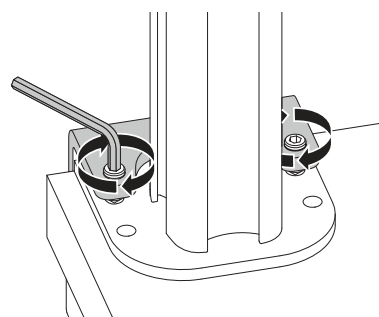


**Note:** You may need to un-screw the set screws out of the plate using the allen key

**3.4** Check the set screws are mounted in position. Also check the desk clamp bracket is positioned tight up against the mounting surface edge

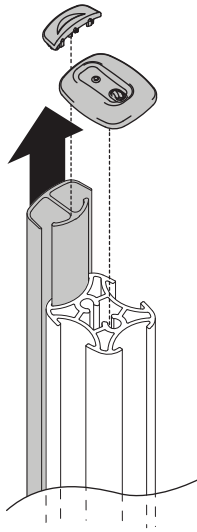


**3.5** Tighten the set screws **firmly** and **evenly** on both sides of the desk clamp bracket.

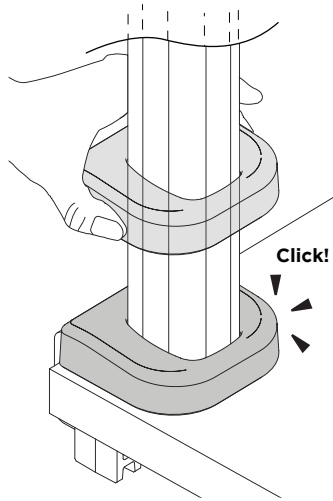


## 4. Installing the clamp cover to post

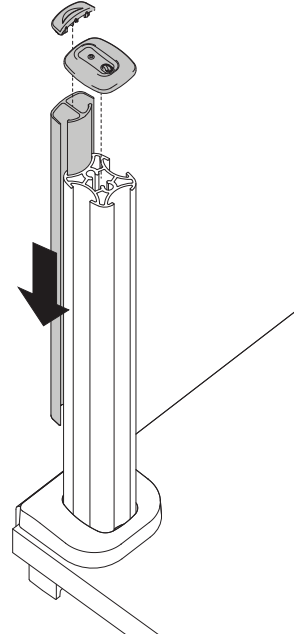
**4.1** Remove the cable cover by pulling it straight up and out of the post. Remove top cap if already installed



**4.2** Locate the C Clamp cover over the post. Guide over the holes in the base plate and gently apply pressure on the cover until it clicks into place

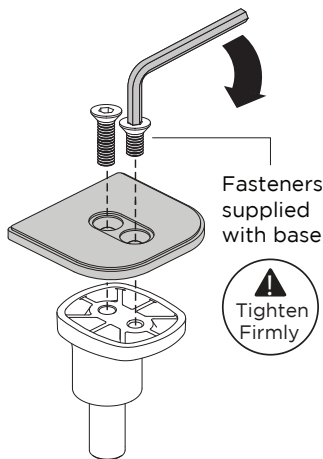


**4.3** Re-attach the cable cover by sliding it into the post channel. Fit the pole and cover caps back on.

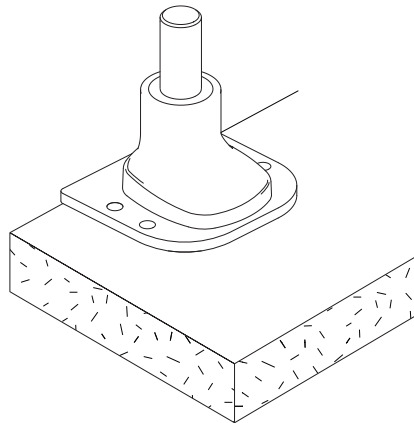


## 5. Base mount installation

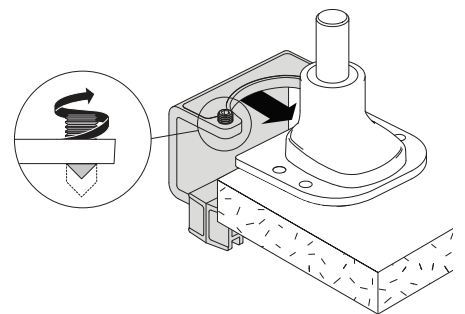
**5.1** Attach plate to base



**5.2** Place the base and plate in desired location

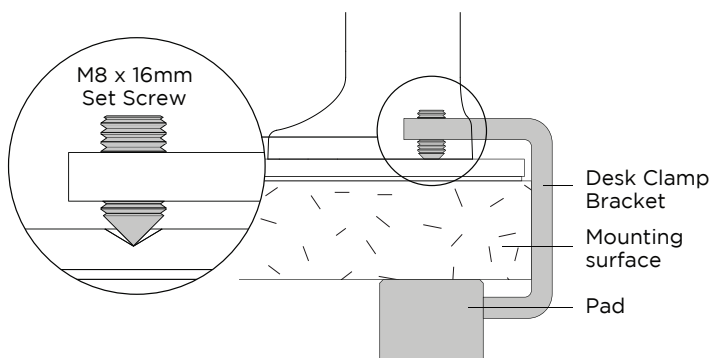


**5.3** Slide the bracket onto the base plate and position screw tips in the indents on the base plate

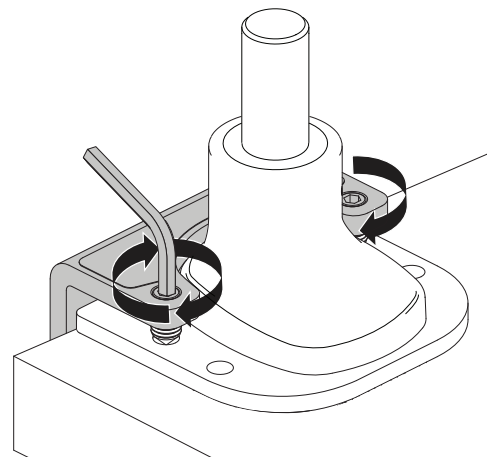


**Note:** You may need to un-screw the set screws out of the plate using the allen key

**5.4** Check the set screws are mounted in position. Also check the desk clamp bracket is positioned tight up against the mounting surface edge

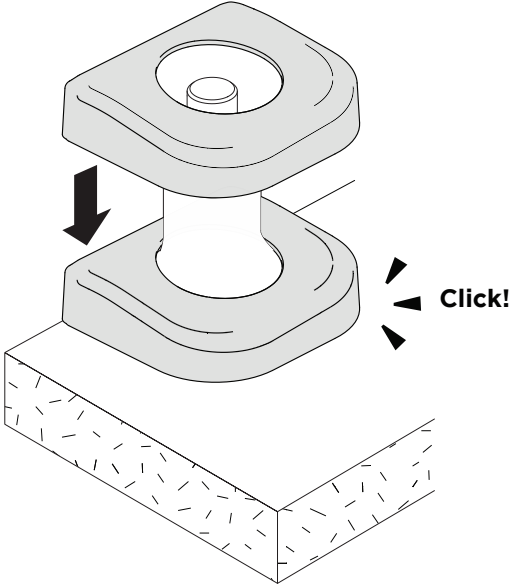


**5.5** Tighten the set screws **firmly** and **evenly** on both sides of the desk clamp bracket



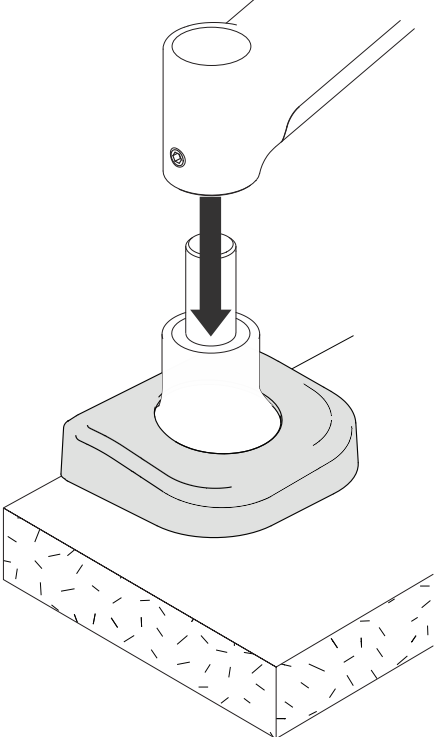
## 6. Installing the clamp cover to base

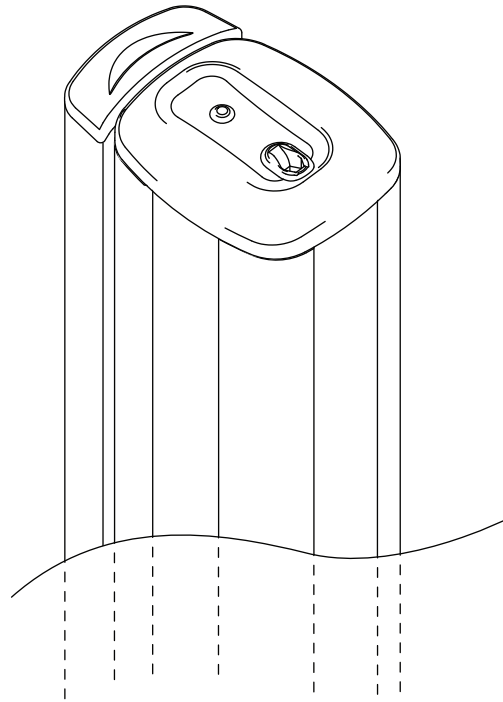
**6.1** Locate the Cover for Base over the base. Guide over the holes in the base plate and gently apply pressure on the cover until it clicks into place.



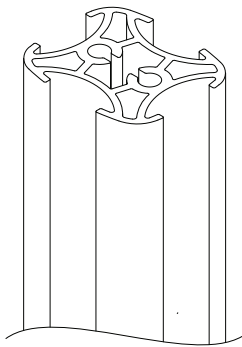
### 6.2 Installation Complete

To continue with installation of your monitor arm, refer to your monitor arm's installation guide.

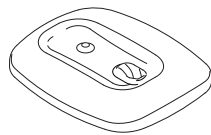




## COMPONENT CHECKLIST



**A**  
Post  
(x1)



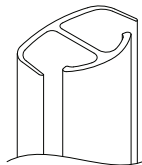
**B**  
Post Cap  
(x1)



**C**  
Screw M8  
(x2)



**D**  
Cable Cover Cap  
(x1)  
(not supplied  
with all posts)



**E**  
Cable Cover  
(x1)  
(not supplied  
with all posts)



**F**  
Cable clips  
(not supplied  
with all posts)

Desk 

## REQUIRED TOOLS

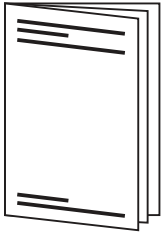
- All tools provided

## IMPORTANT INFORMATION

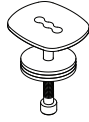
- ! Please ensure this product is installed as per these installation instructions.
- ! This product is compatible with Atdec AWM Series products.
- ! The manufacturer accepts no responsibility for incorrect installation.

## 1. Attach Post to fixing (fixing sold separately)

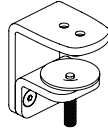
**1.1** Follow the installation guide provided with your fixing to attach it to the post and fit it to the worksurface.



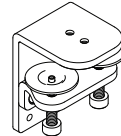
### AWM Fixing options



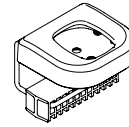
**Bolt Through Kit**  
AWM-FB



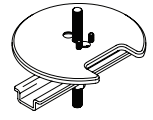
**F Clamp**  
AWM-FF



**Heavy Duty F Clamp**  
AWM-FH



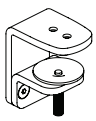
**C Clamp**  
AWM-FC



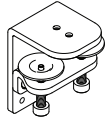
**Grommet Clamp**  
AC-GC

## 2. Check post placement & arm positions

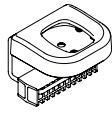
**2.1** Do not mount a monitor arm on the rear channel of a post when the post is fixed to the desk using an F Clamp, Heavy Duty F Clamp, or C Clamp.



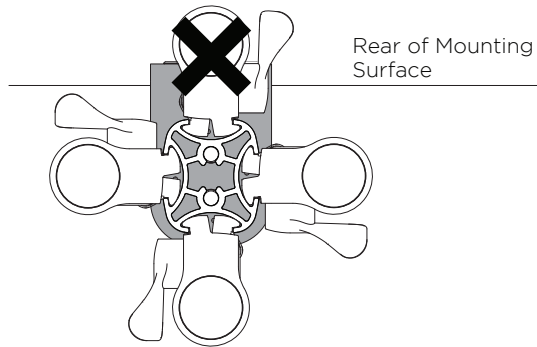
**F Clamp**  
AWM-FF



**Heavy Duty F Clamp**  
AWM-FH

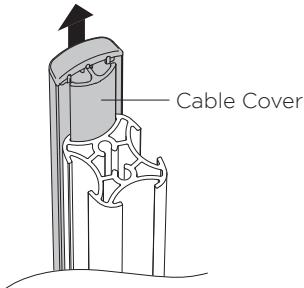


**C Clamp**  
AWM-FC



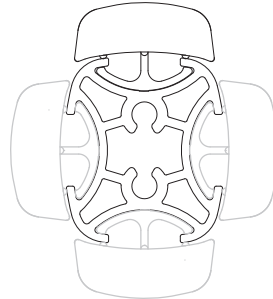
## 3. Cable cover position and post cap

**3.1** To reposition the cable cover, pull it straight up and out of the post and insert it into any of the available channels

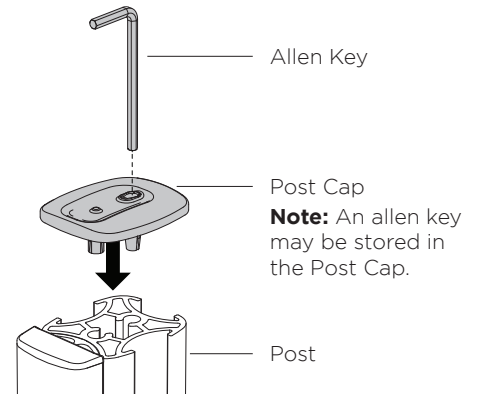


**Note:** The cable cover shown does not come with all posts

**3.2** Optional cable cover positions

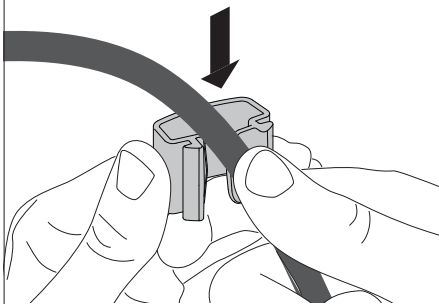


**3.3** Fit post cap onto the top of the post



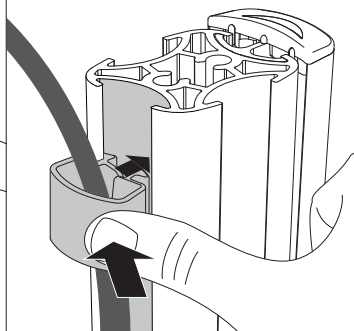
## 4. Cable clips and cover

**4.1** Push the cable down into the cable clip.

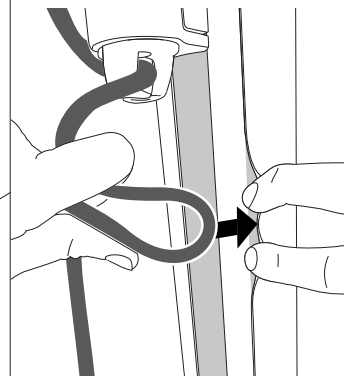


**Note:** Cable clips do not come with all posts. Additional clips sold separately.

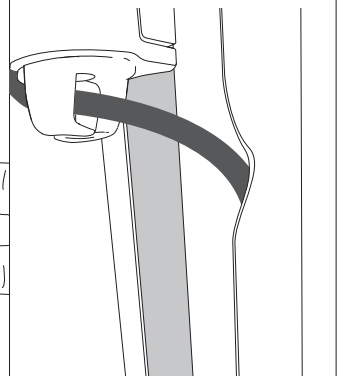
**4.2** Insert one side of the cable clip into the channel on the post assembly, then push in the other side.

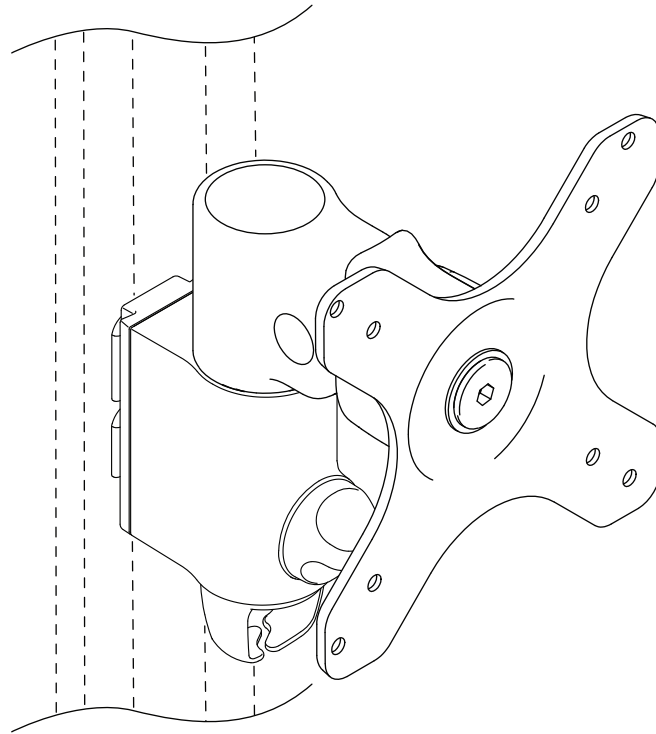


**4.3** Loop cable and insert into cable cover.

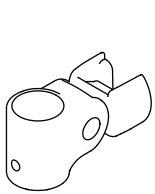


**4.4** Feed remaining cable into the cover.

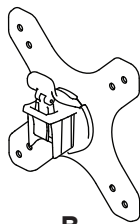




## COMPONENT CHECKLIST



**A**  
Monitor Arm  
(x1)



**B**  
VESA Head  
(x1)



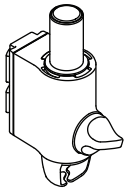
**D**  
Screw  
M4x25mm  
(x4)



**E**  
Screw  
M4x16mm  
(x4)



**F**  
Screw  
M4x12mm  
(x4)



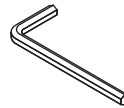
**C**  
Post Clamp  
(x1)



**G**  
Spacer  
(x4)



**H**  
Security  
screw  
(x1)



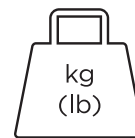
**I**  
4mm  
allen key  
(x4)

Desk 

## REQUIRED TOOLS

- Phillips Head Screwdriver

## WEIGHT RANGE



kg  
(lb)

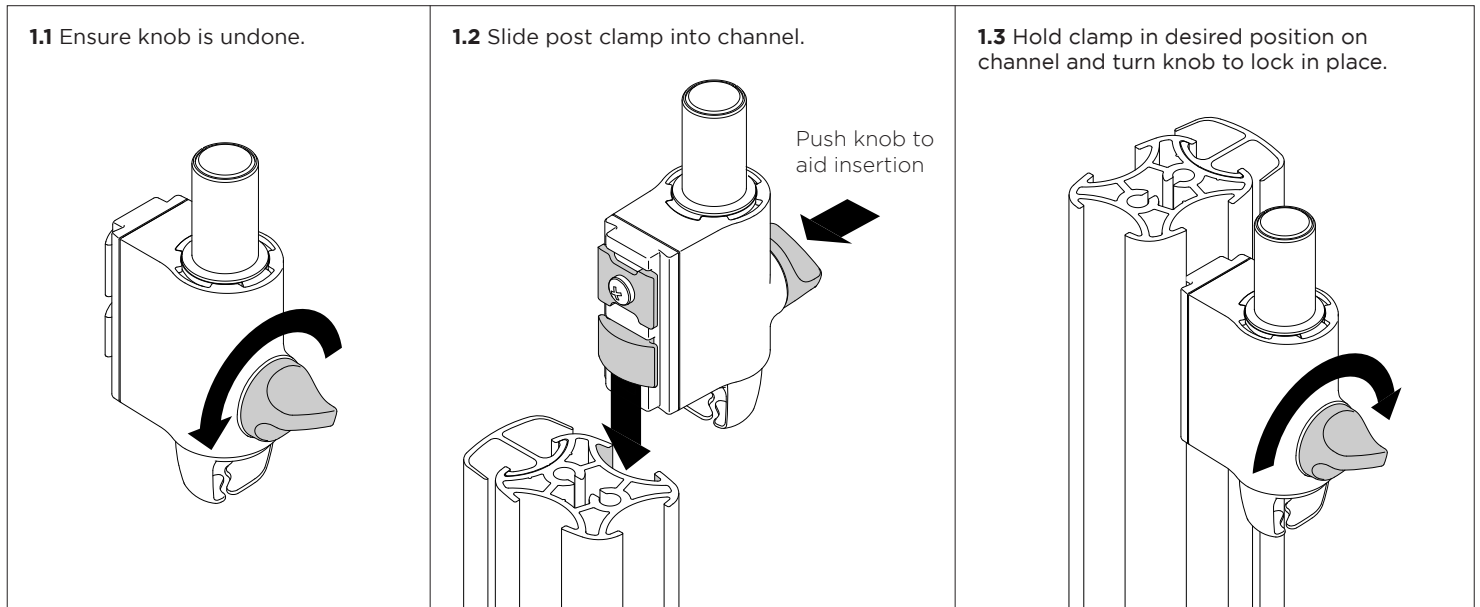
0 - 12kg  
(0 - 26.5lbs)

## IMPORTANT INFORMATION

- ! Please ensure this product is installed as per these installation instructions.
- ! The manufacturer accepts no responsibility for incorrect installation.
- ! This product is compatible with Atdec AWM Series products.

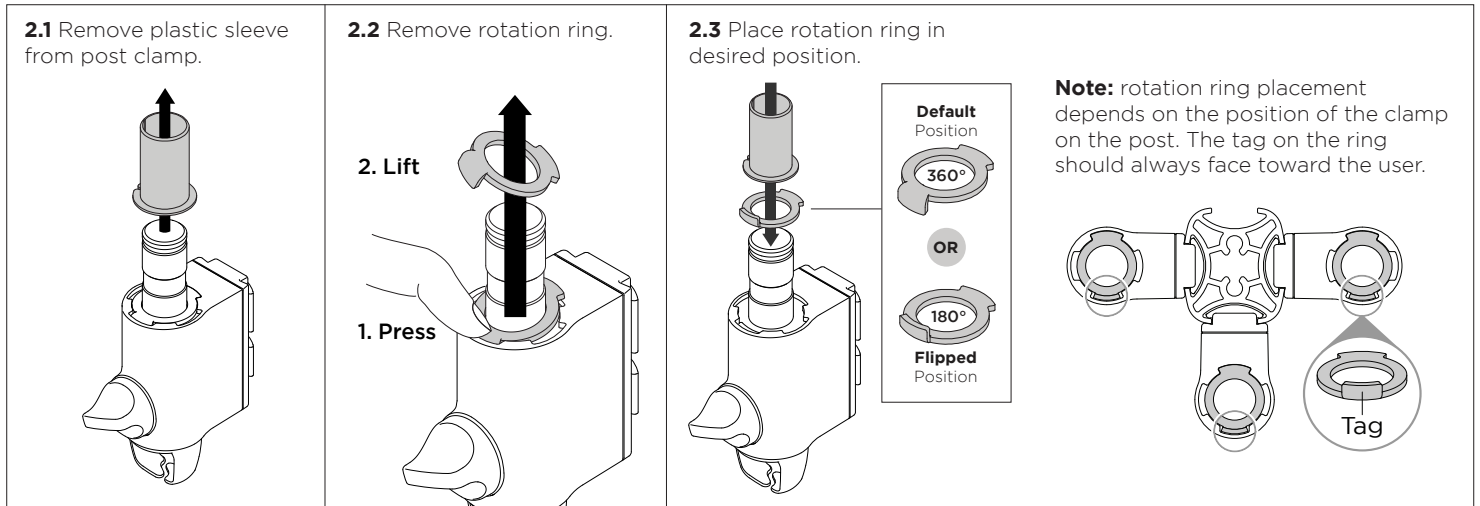


## 1. Fix clamp to Post or Wall Channel

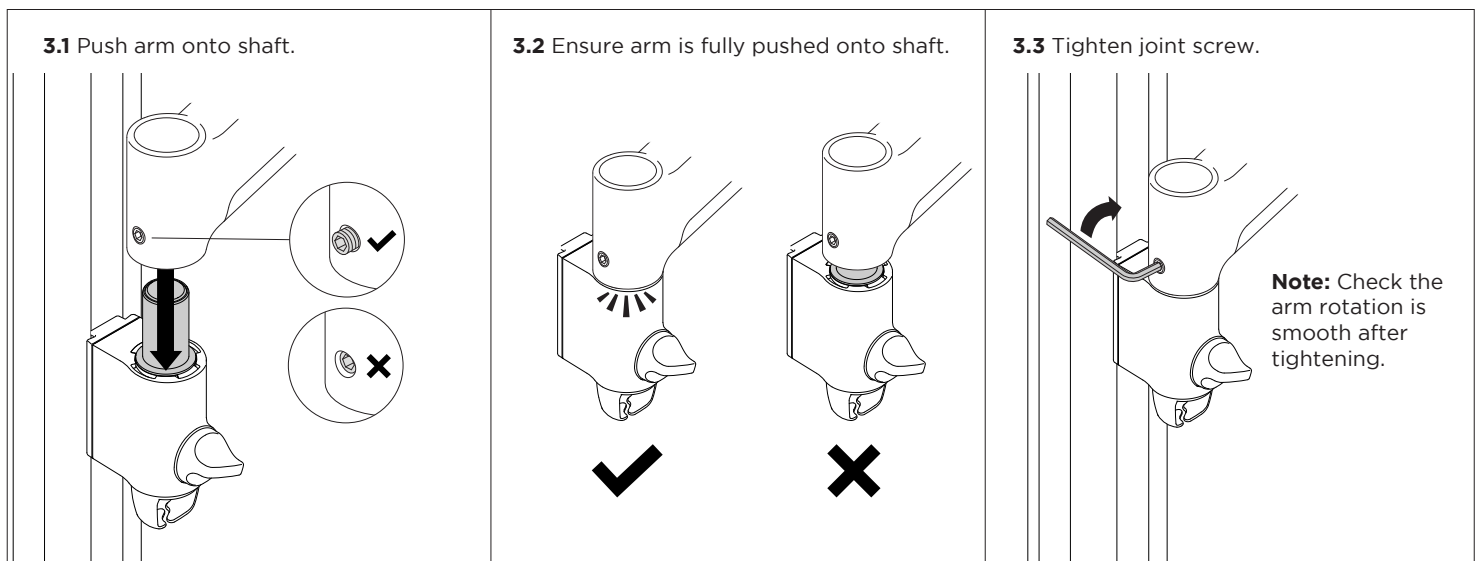


## 2. Set arm rotation to 180° (optional)

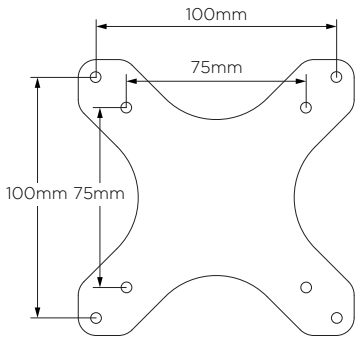
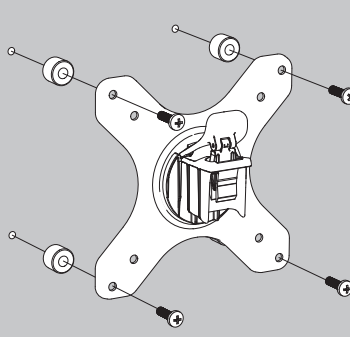
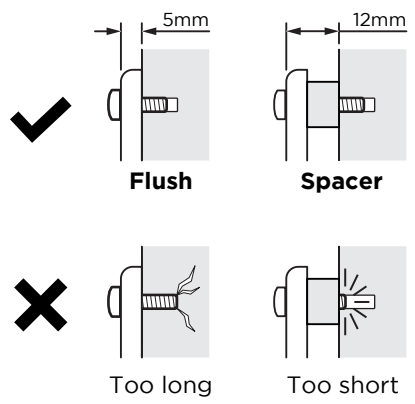
Note rotation is set to 360° by default.



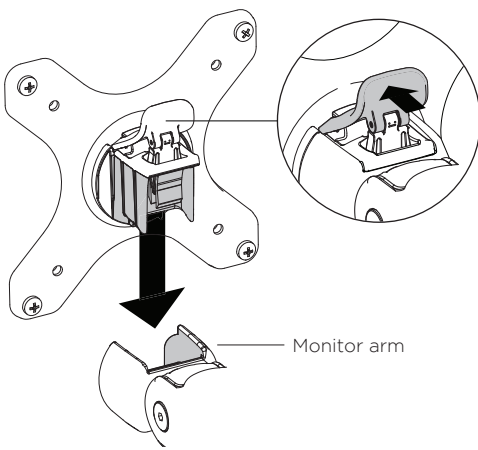
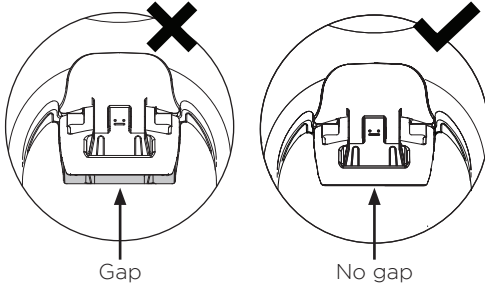
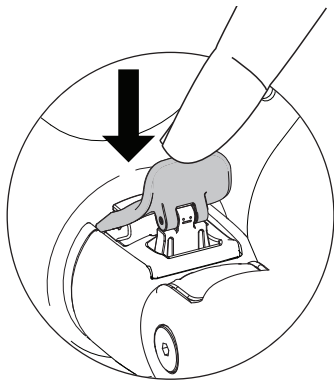
## 3. Fit arm onto post clamp



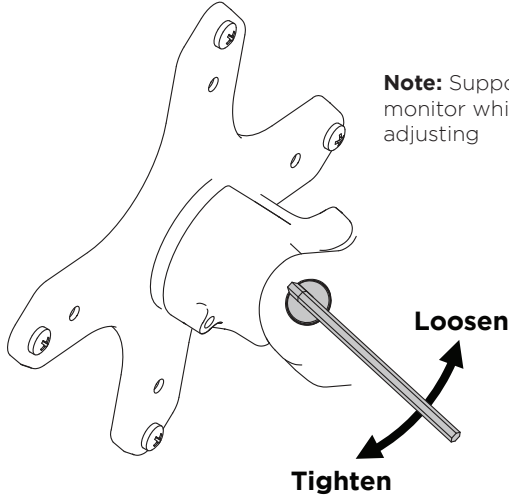
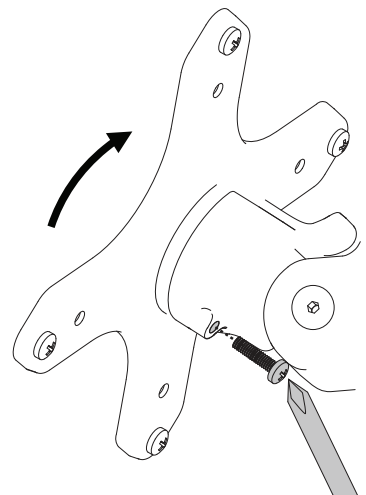
## 4. Attach VESA head to monitor

<p><b>4.1 VESA mounting compatibility</b></p>  <p><b>Note:</b> For other sizes, use a suitable adaptor plate (sold separately).</p>	<p><b>4.2 Screw the VESA head onto monitor</b></p>  <p><b>Note</b> spacers may be required for curved, recessed or uneven monitor surfaces.</p>	<p><b>4.3 Ensure the correct screw length is used to attach the monitor.</b></p>  <p>✓ <b>Flush</b>      <b>Spacer</b></p> <p>✗ <b>Too long</b>      <b>Too short</b></p>
--	--	--

## 5. Mount monitor

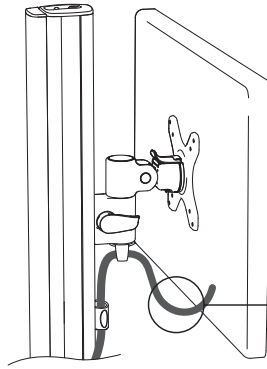
<p><b>5.1 Insert VESA head into the monitor arm</b></p> 	<p><b>5.2 Ensure that the VESA head sits flush within the monitor arm. There should be <b>no</b> gap</b></p> 	<p><b>5.3 Push the lever down to secure it to the arm assembly</b></p> 
---	---	---

## 6. Adjust tilt tension & Install security screw

<p><b>6.1 Use the allen key to adjust the tilt tension until the monitor holds in a vertical position at the end of the arm.</b></p>  <p><b>Note:</b> Support monitor while adjusting</p>	<p><b>6.2 OPTIONAL security screw</b> To install the optional security screw tilt the head upwards</p> 
--	---

## 6. Monitor arm cable management

**6.1** Plug cables into the monitor and route the cables down the arm using the cable hooks and clips.

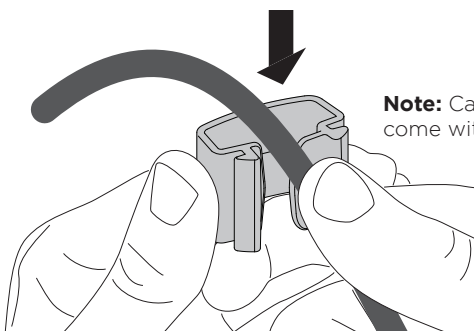


**Important:**

Ensure enough cable slack is given to allow for movement of the monitor

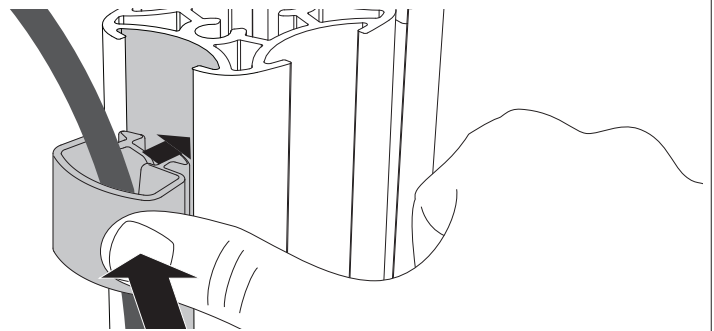
## 7. Post cable management

**7.1** Push the cable down into the cable clip

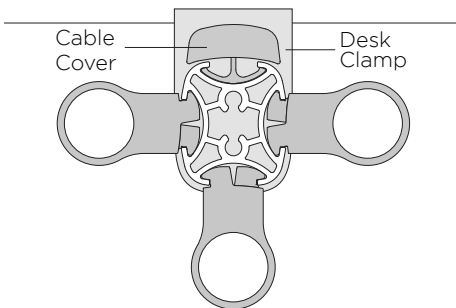


**Note:** Cable clips do not come with all posts

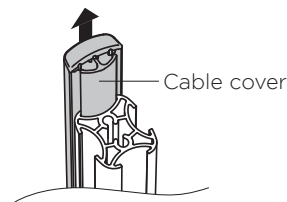
**7.2** Push cable clip into post channel



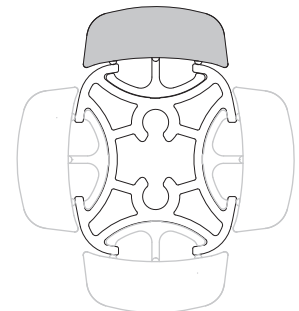
**7.3** Recommended post cable cover position for double or triple arm set-ups



**7.4** To reposition the cable cover, pull it straight up and out of the post and insert it into any of the available channels

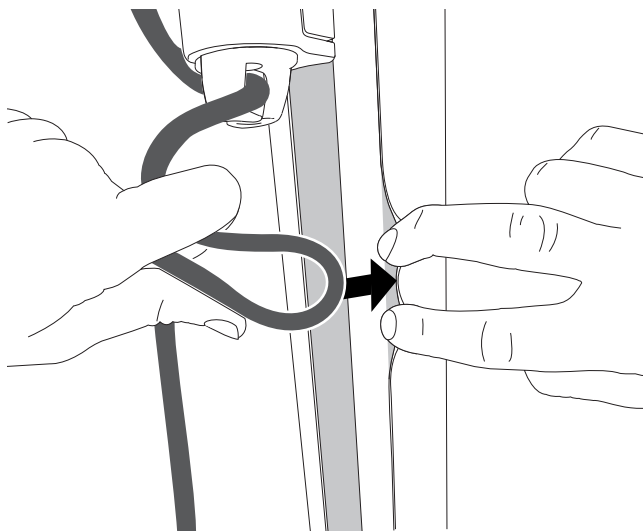


**Note:** The cable cover shown does not come with all posts

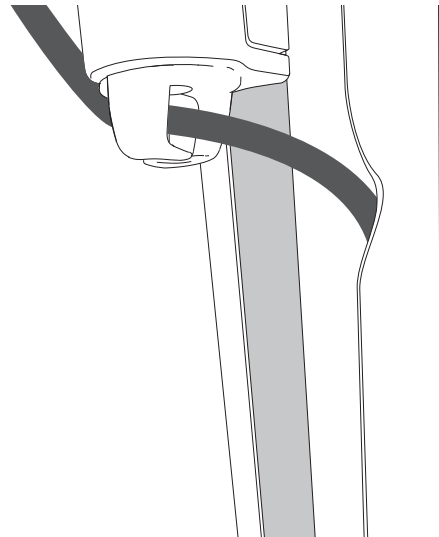


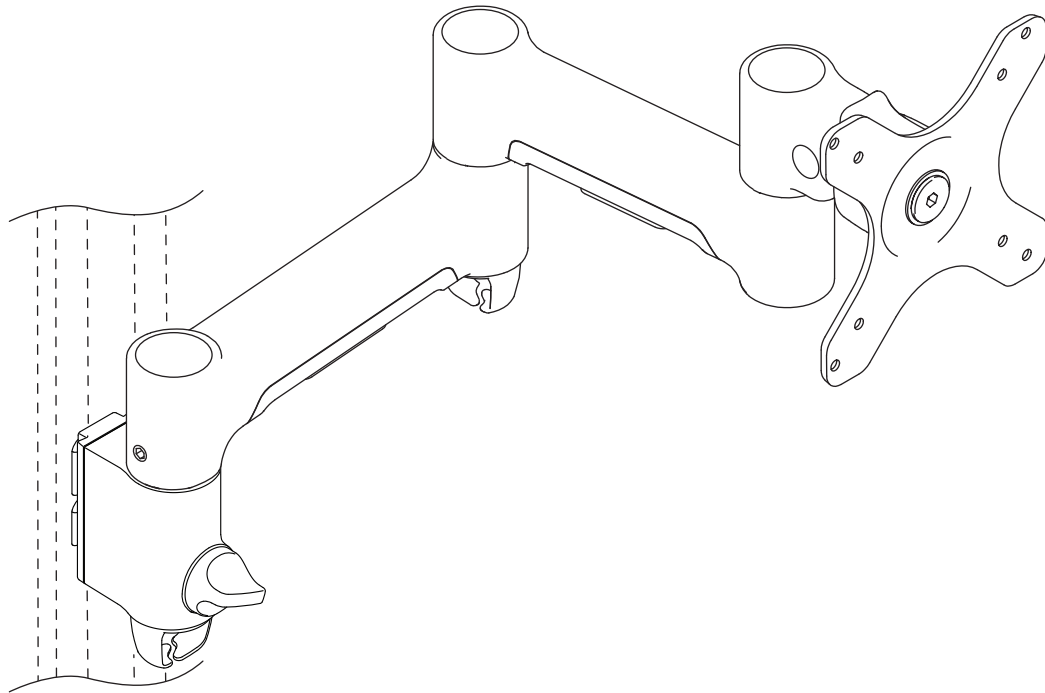
Alternative cable cover positions

**7.5** Loop cable and insert into cable cover

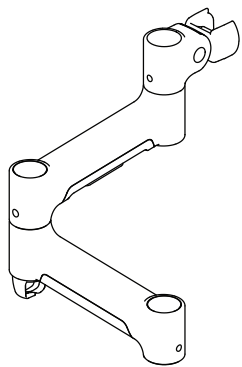


**7.6** Feed remaining cable into cover

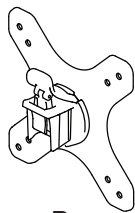




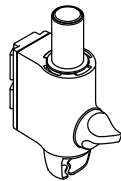
## COMPONENT CHECKLIST



**A**  
Monitor Arm  
(x1)



**B**  
VESA Head  
(x1)



**C**  
Post Clamp  
(x1)



**D**  
Screw  
M4x25mm  
(x4)



**E**  
Screw  
M4x16mm  
(x4)



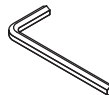
**F**  
Screw  
M4x12mm  
(x4)



**G**  
Spacer  
(x4)



**H**  
Security  
screw  
(x1)



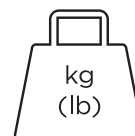
**I**  
4mm  
allen key  
(x1)

Desk 

## REQUIRED TOOLS

- Phillips Head Screwdriver

## WEIGHT RANGE



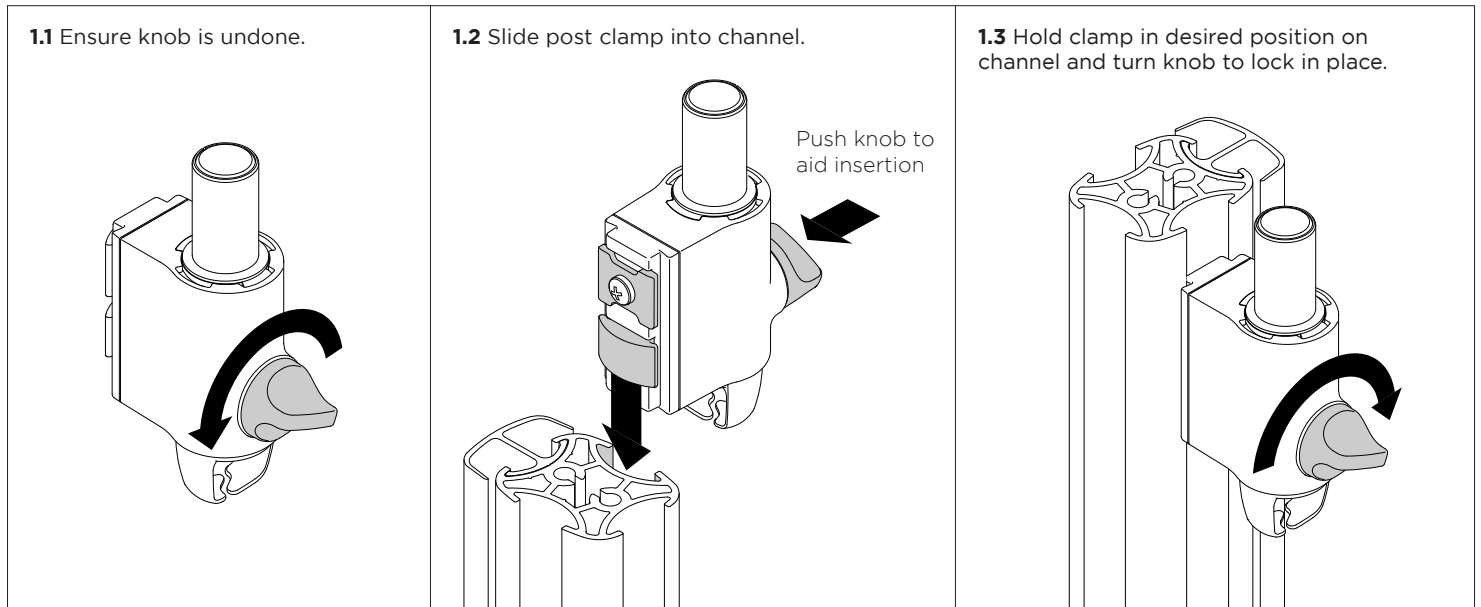
kg  
(lb)

0 - 12kg  
(0 - 26.5lbs)

## IMPORTANT INFORMATION

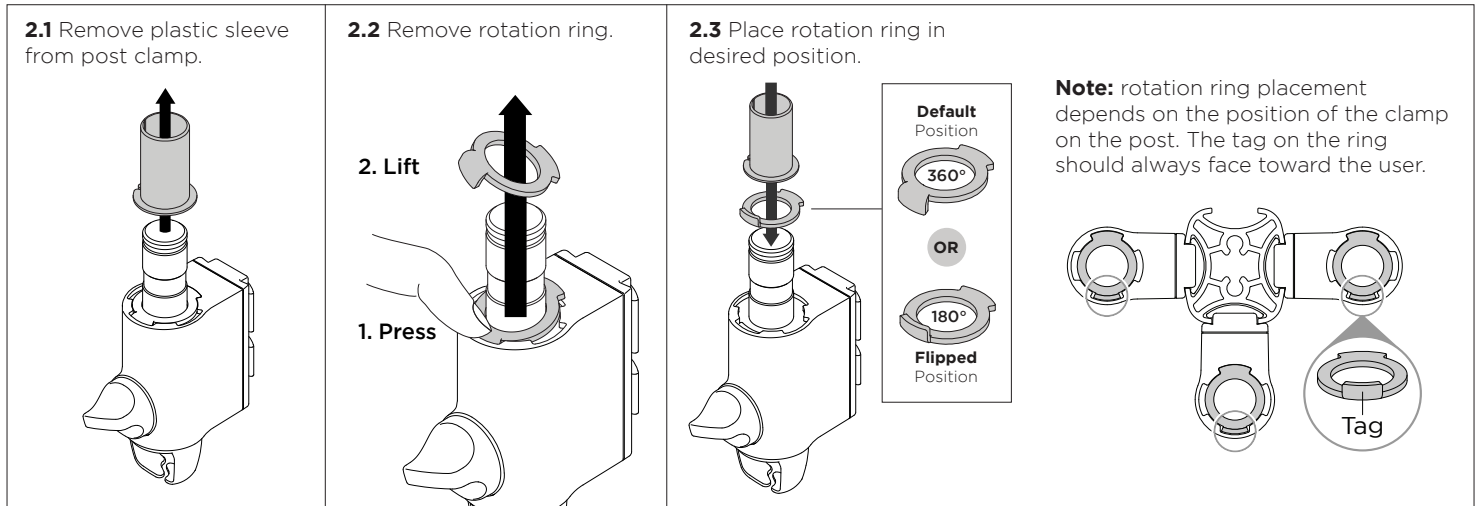
- ! Please ensure this product is installed as per these installation instructions.
- ! The manufacturer accepts no responsibility for incorrect installation.
- ! This product is compatible with Atdec AWM Series products.

## 1. Fix clamp to Post or Wall Channel

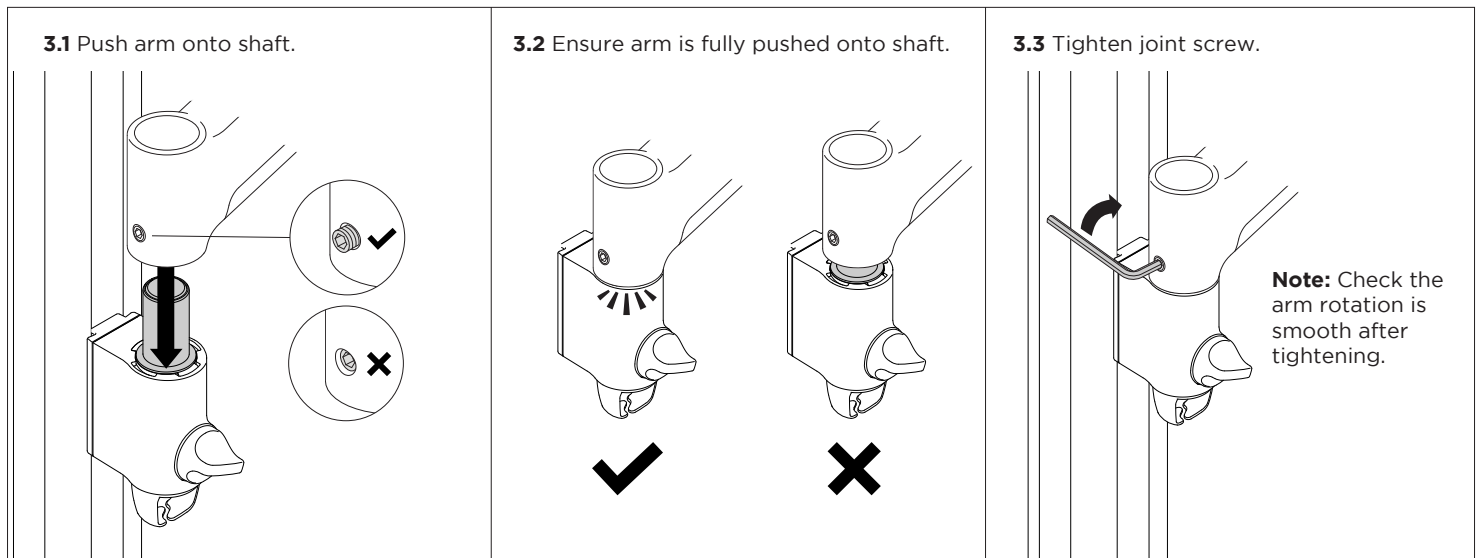


## 2. Set arm rotation to 180° (optional)

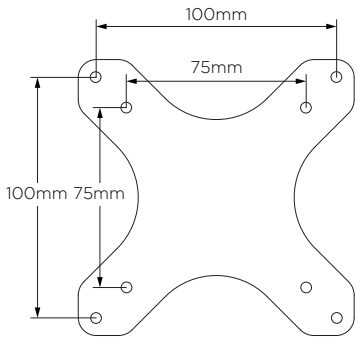
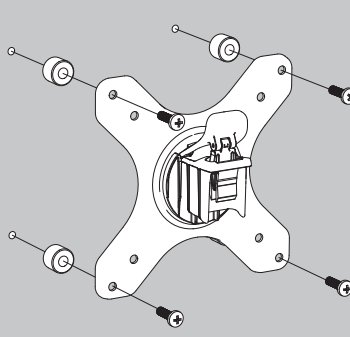
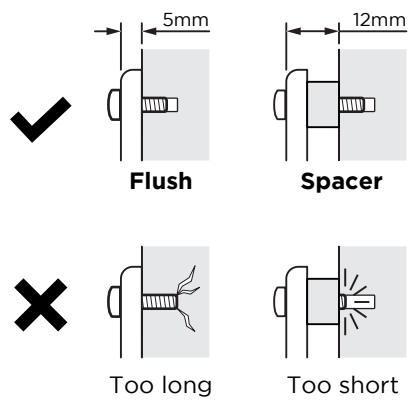
Note rotation is set to 360° by default.



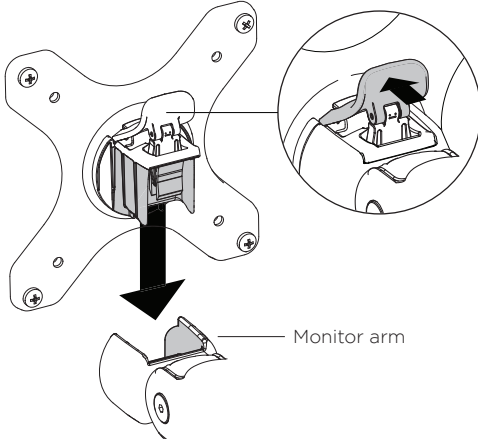
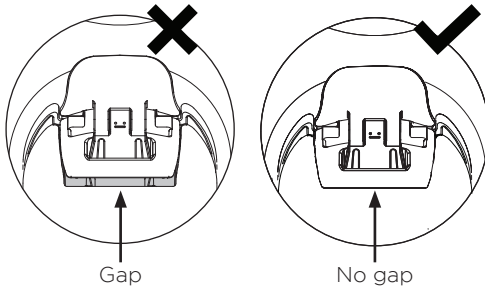
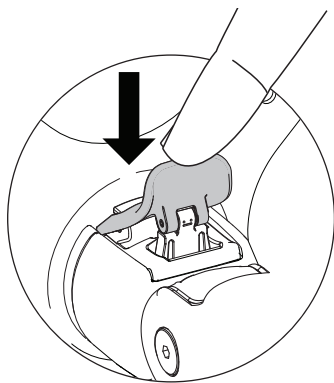
## 3. Fit arm onto post clamp



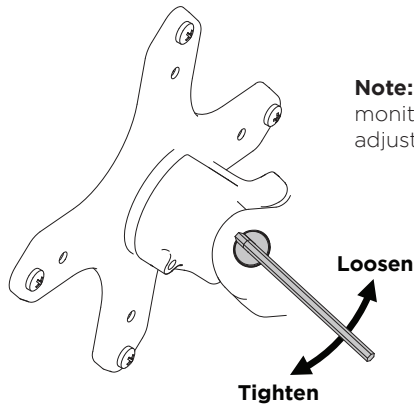
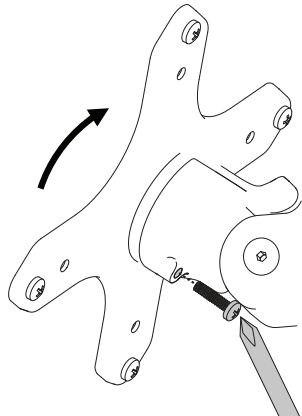
## 4. Attach VESA head to monitor

<p><b>4.1 VESA mounting compatibility</b></p>  <p><b>Note:</b> For other sizes, use a suitable adaptor plate (sold separately).</p>	<p><b>4.2 Screw the VESA head onto monitor</b></p>  <p><b>Note:</b> spacers may be required for curved, recessed or uneven monitor surfaces.</p>	<p><b>4.3 Ensure the correct screw length is used to attach the monitor.</b></p>  <p>✓ <b>Flush</b>      <b>Spacer</b></p> <p>✗ <b>Too long</b>      <b>Too short</b></p>
--	---	--

## 5. Mount monitor

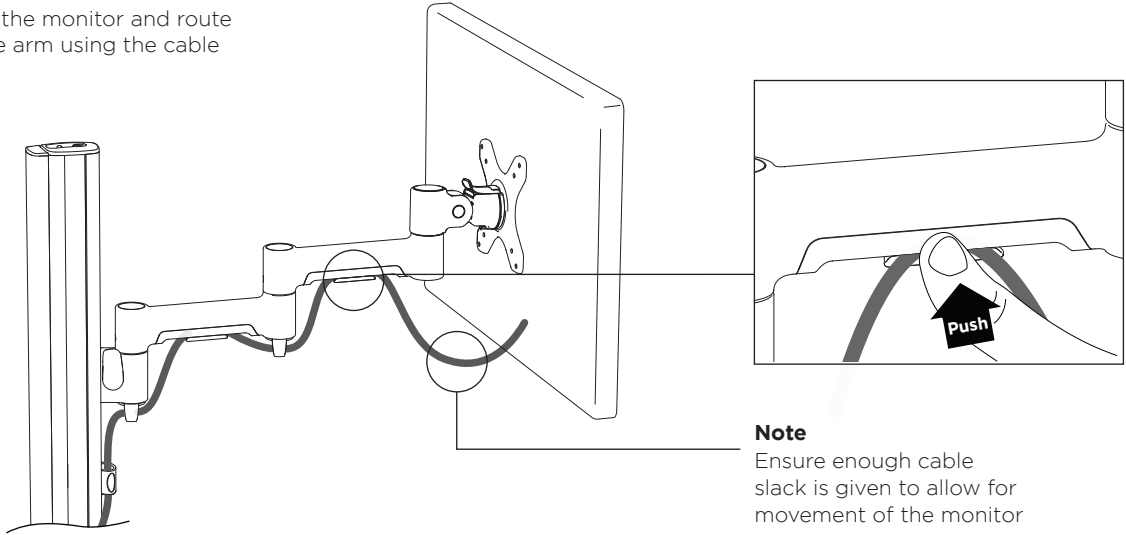
<p><b>5.1 Insert VESA head into the monitor arm</b></p>  <p>Monitor arm</p>	<p><b>5.2 Ensure that the VESA head sits flush within the monitor arm. There should be <b>no</b> gap</b></p>  <p>Gap      No gap</p>	<p><b>5.3 Push the lever down to secure it to the arm assembly</b></p> 
--	--	---

## 6. Adjust tilt tension & Install security screw

<p><b>6.1 Use the allen key to adjust the tilt tension until the monitor holds in a vertical position at the end of the arm.</b></p>  <p><b>Note:</b> Support monitor while adjusting.</p> <p>Loosen</p> <p>Tighten</p>	<p><b>6.2 OPTIONAL security screw</b> To install the optional security screw tilt the head upwards</p> 
--	---

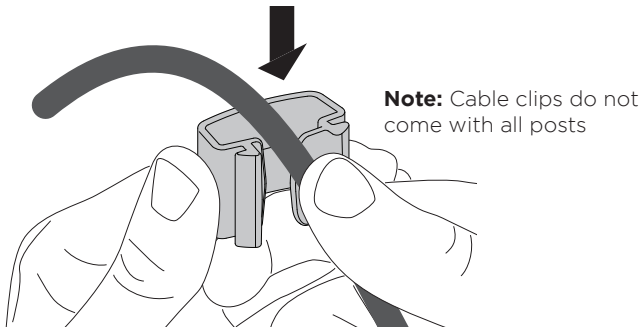
## 6. Monitor arm cable management

**6.1** Plug cables into the monitor and route the cables down the arm using the cable hooks and clips

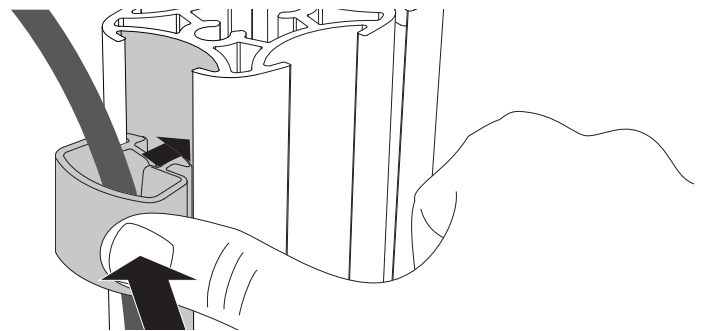


## 7. Post cable management

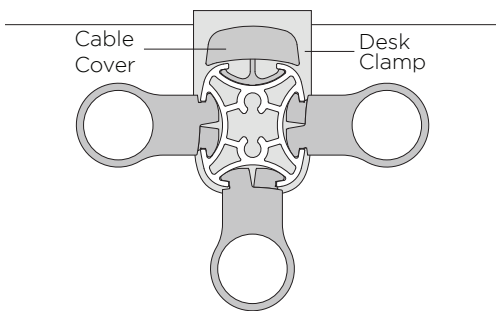
**7.1** Push the cable down into the cable clip



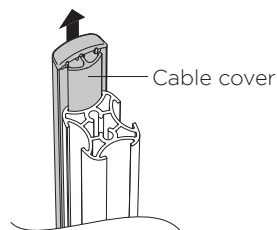
**7.2** Push cable clip into post channel



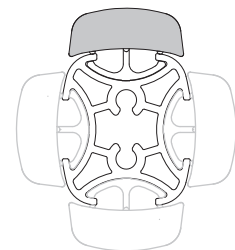
**7.3** Recommended post cable cover position for double or triple arm set-ups



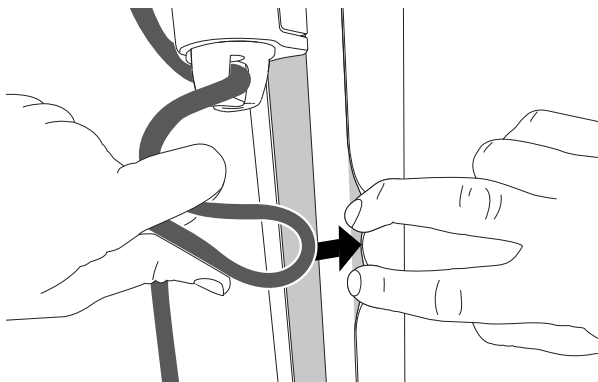
**7.4** To reposition the cable cover, pull it straight up and out of the post and insert it into any of the available channels



**Note:** The cable cover shown does not come with all posts



**7.5** Loop cable and insert into cable cover



**7.6** Feed remaining cable into cover

