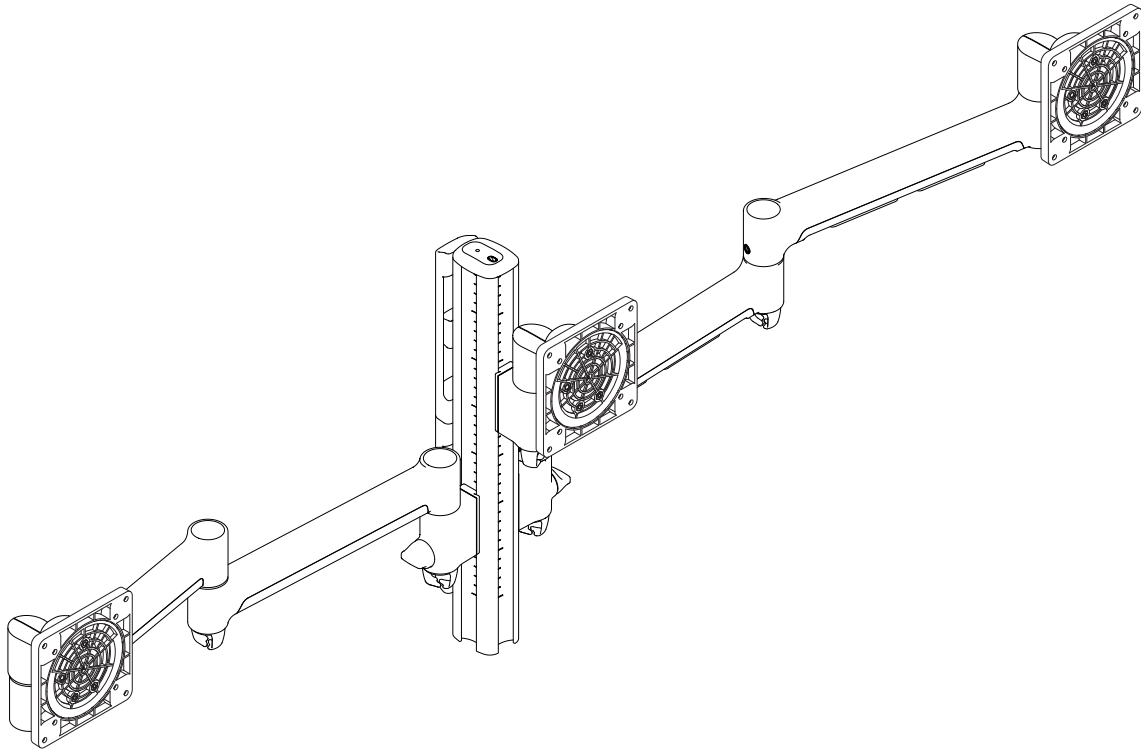


Triple Monitor Mount on 400 Post



FEATURES

- Triple display mounting solution to suit most displays up to 24". Larger monitors within the weight capacity may be compatible, refer to Display Size (page 2).
- Balanced tilt mechanism for dynamic viewing angle selection.
- Display quick connect mechanism.
- Integrated 180° rotation limiter to prevent interference with walls and workstation dividers.
- Adjustable portrait-to-landscape rotation tension.
- Generous cable management guides cables discreetly down the arm to the work surface.

Display weight*

A71

Flat display

0-9kg (0 - 20lb)

Curved display

0-9kg (0 - 20lb)

A13

Flat display

0-12kg (0 - 26.5lb)

Curved display

0-10kg (0 - 22lb)

Display depth

Up to 140mm (5.5")

Tilt adjustment

+40° / -15°

Rotation adjustment

+/-95°

Vertical adjustment

198mm (7.80")

VESA mounting

75x75 100x100

Primary materials

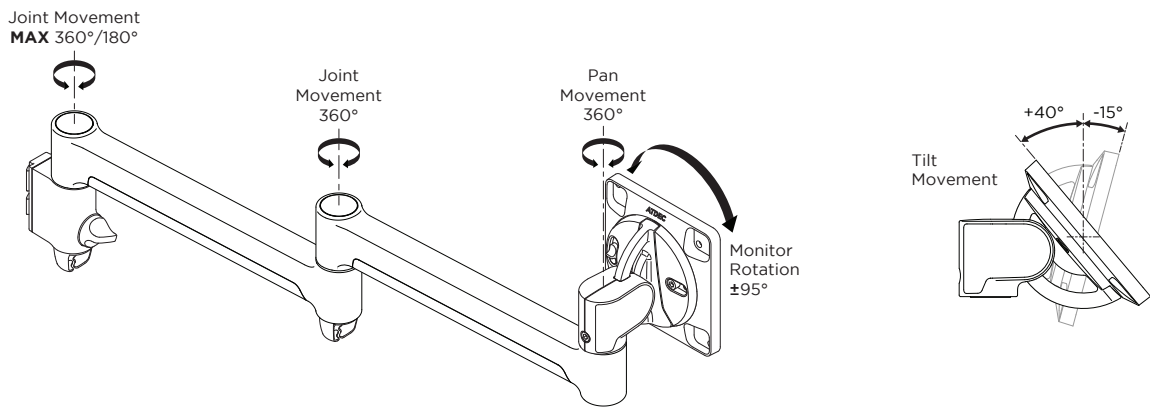
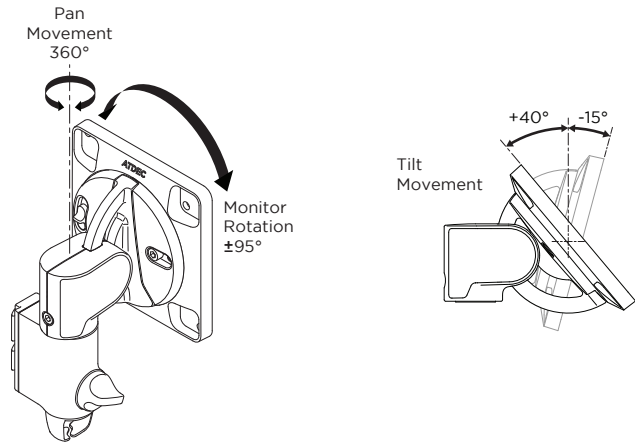
Aluminium, Steel,
Engineering Polymers

* Deep devices (such as all-in-one PCs) and offset VESA locations exert additional leverage that can exceed the capacity of the mount even though the monitor weight may be within the stated range. Please contact Atdec if you would like further information.

WARRANTY

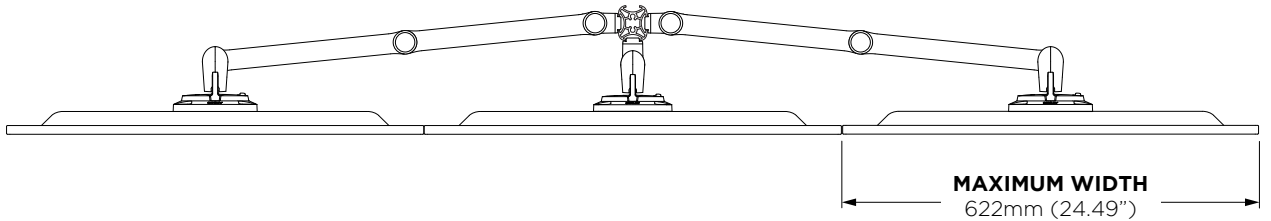
10 years limited

MOVEMENT SWING ARMS

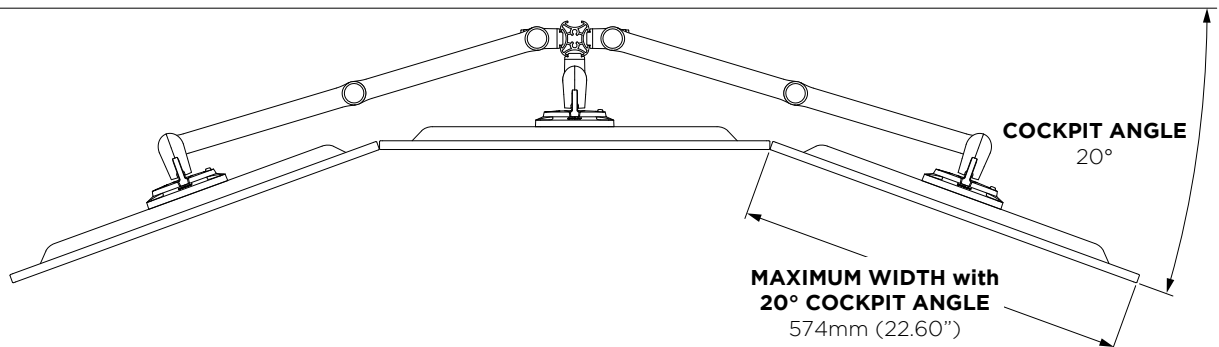


MOVEMENT DISPLAY SIZE AND POSITION

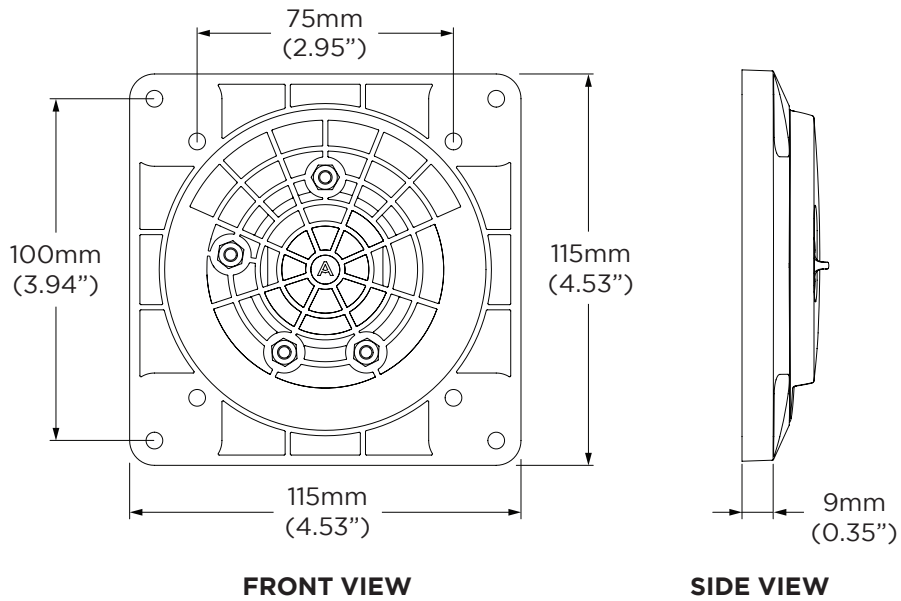
REAR OF MOUNTING SURFACE



REAR OF MOUNTING SURFACE

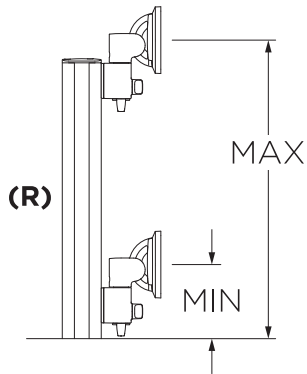


DIMENSIONS VESA HEAD



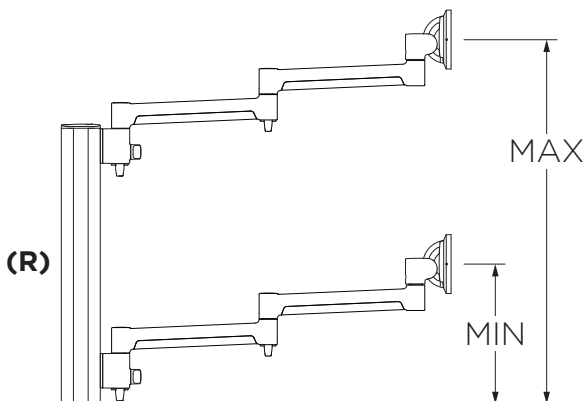
DIMENSIONS SWING ARMS ON 400 POST

130 Arm AWM-A13T



HEIGHT ON 400 POST *C CLAMP INCREASES MINIMUM HEIGHT ON POST BY 26MM (1")	MIN	MAX	RANGE (R)
	122mm* (4.80")	440mm* (13.32")	318mm* (12.52")

710 Arm AWM-A71T

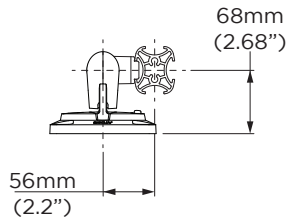


HEIGHT ON 400 POST *C CLAMP INCREASES MINIMUM HEIGHT ON POST BY 26MM (1")	MIN	MAX	RANGE (R)
	242mm* (9.53")	560mm* (22.05")	318mm* (12.52")

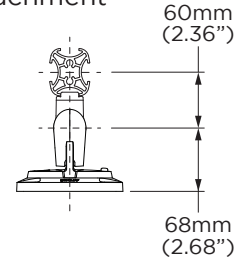
DIMENSIONS SWING ARMS ON POST

130 Arm AWM-A13T

Post Side Attachment

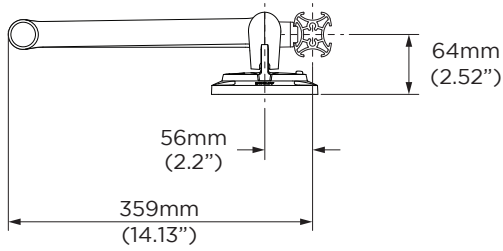


Post Front Attachment



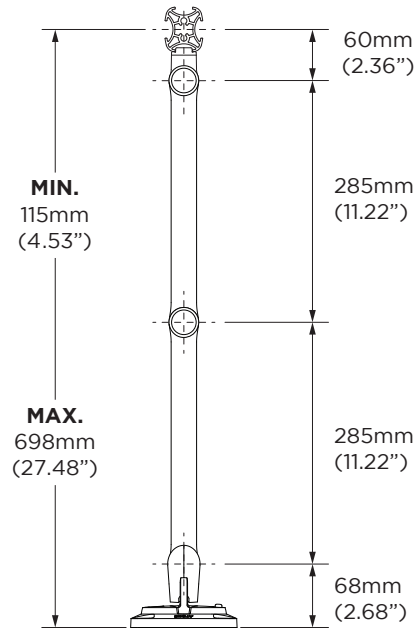
710 Arm AWM-A71T

Post Side Attachment

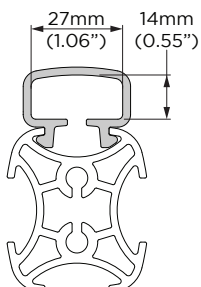
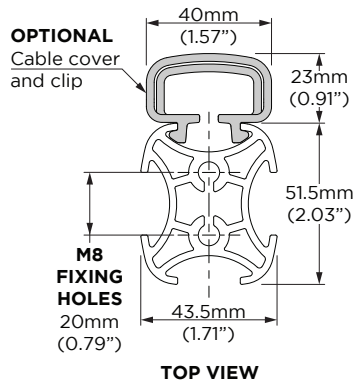


NOTE: Shown at minimum extension

Post Front Attachment

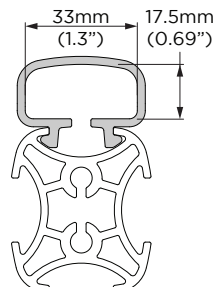


DIMENSIONS POSTS



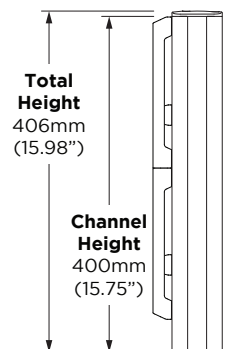
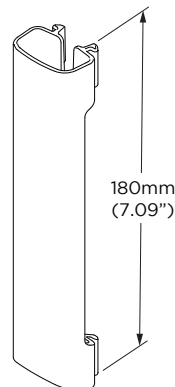
CABLE CLIP - TOP VIEW

NOTE Fits approximately six 7mm ($\frac{17}{64}$ ") cables



CABLE COVER - TOP VIEW

NOTE Fits approximately ten 7mm ($\frac{17}{64}$ ") cables



Compatible Fixings Bolt Through Kit

AWM-FB

C Clamp AWM-FC

F Clamp AWM-FF

HD F Clamp

AWM-FH

Grommet Clamp

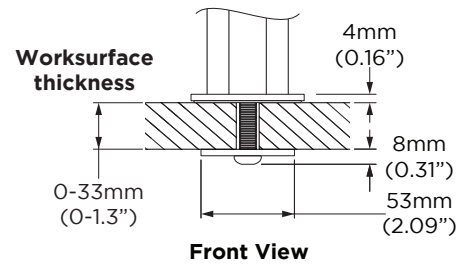
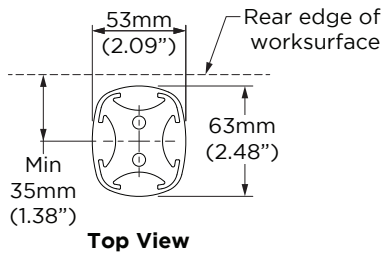
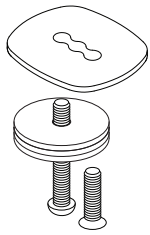
AC-GC

DESK FIXING OPTIONS

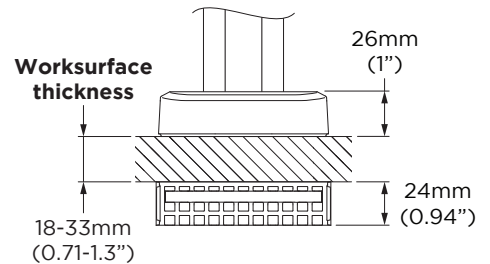
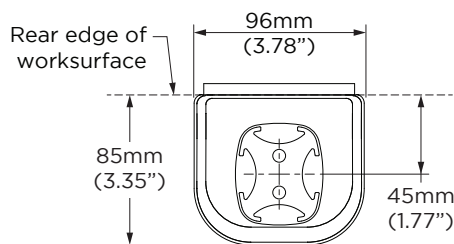
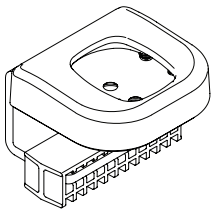
Below are the fixing options available for this solution. For more information and detailed specifications for these products please see the separate Technical Specifications available on the Atdec website.

NOTE: Chosen desk fixing must be added to this solution code when ordering.

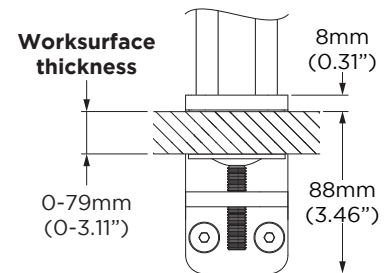
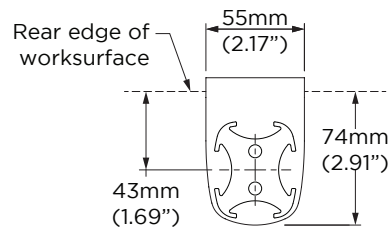
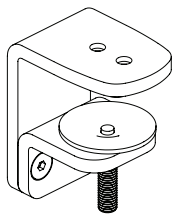
BOLT THROUGH AWM-FB



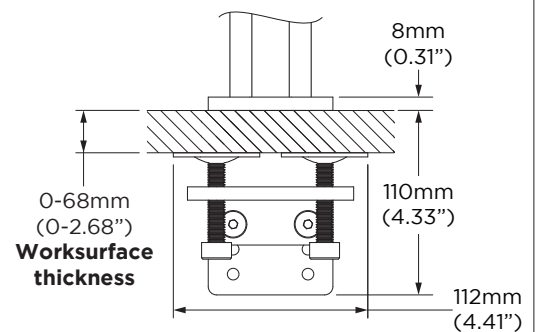
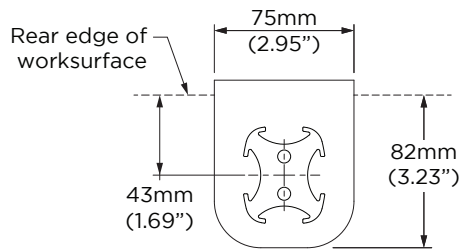
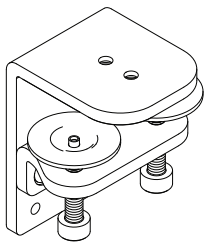
C CLAMP AWM-FC



F CLAMP AWM-FF



HEAVY DUTY F CLAMP AWM-FH



GROMMET CLAMP AC-GC

