

AWM Modular Components

Index

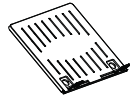
Standard Product System Diagram		Page 2
Heavy-Duty Product System Diagram		Page 3
Heads		
AWM-HV	VESA Head	Page 4
AWM-HS	AWM Slider	Page 4
AWM-HN	Notebook Tray	Page 5
AWM-LTH	HD Tilt Head	Page 5
AWM-BT	Tilt Bracket	Page 5
AWM-LR	Dual Crossbar	Page 5
Arms		
AWM-A13	Overview	Page 6
AWM-A46	Dimensions	Page 7
AWM-A71	Height Adjustment on Posts	Page 8
	Height Adjustment on Wall Channels	Page 9
Dynamic Arms		
AWM-ADC	Overview	Page 10
AWM-AD	Dimensions	Page 11
AWM-AHX	Dimensions on Post	Page 13
	Height Adjustment on Posts & Wall Channels	Page 15
Posts		
AWM-P13	Dimensions	Page 17
AWM-P40		
AWM-P75		
AWM-P40X		
Wall Fixings		
AWM-W6	Dimensions	Page 18
AWM-W35	Dimensions	Page 18
Arm Fixings		
AWM-LB	Dimensions	Page 18
AWM-LC	Dimensions	Page 18
Fixings		
AWM-FB	Bolt Through Kit	Page 19
AWM-FC	C Clamp	Page 19
AWM-FF	F Clamp	Page 20
AWM-FH	Heavy Duty F Clamp	Page 20
AC-GC	Grommet Clamp	Page 20
AWM-WS	Slat Wall Adaptor	Page 21
AWM-W	Single Wall Bracket	Page 21
Accessories		
AC-MP	Mini PC Mount Plate	Page 21

STANDARD PRODUCT SYSTEM DIAGRAM

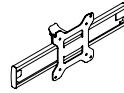
IMPORTANT

- Any mounting surface must be capable of supporting the combined weight of all products, including attached displays and devices.
- Monitor weight should be within the weight range of all modular elements that make up the complete mounting solution.
- All fixings are sold separately.

HEADS (OPTIONAL)

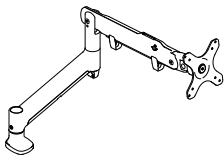


Notebook Tray
AWM-HN

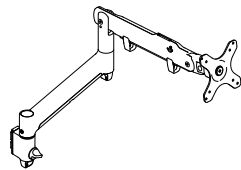


Slider
AWM-HS

DYNAMIC ARMS



Dynamic Arm with Arm Base
AWM-AD + AWM-LB
Products sold separately

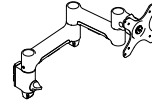


Dynamic Arm with Channel Clamp
AWM-ADC

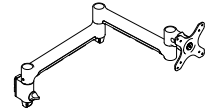
SWING ARMS



130 Arm
AWM-A13

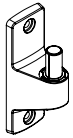


460 Arm
AWM-A46

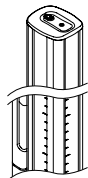


710 Arm
AWM-A71

POSTS

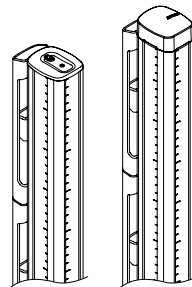


Single Wall Bracket
AWM-W
AWM-LC not required for mounting



135 Post
AWM-P13

400 Post
AWM-P40G

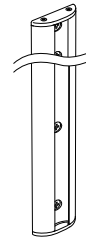


750 Post
AWM-P75G

P40X Posts
AWM-P40X OR
(2x) AWM-P40X + AWM-X40

Products sold separately

WALL CHANNELS



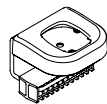
60 Wall Channel
AWM-W6

350 Wall Channel
AWM-W35

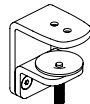
FIXINGS



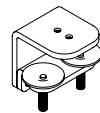
Bolt Through Kit
AWM-FB



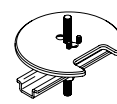
C Clamp
AWM-FC



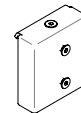
F Clamp
AWM-FF



Heavy Duty F Clamp
AWM-FH



Grommet Clamp
AC-GC



Slat Wall Adaptor
AWM-WS

ACCESSORIES



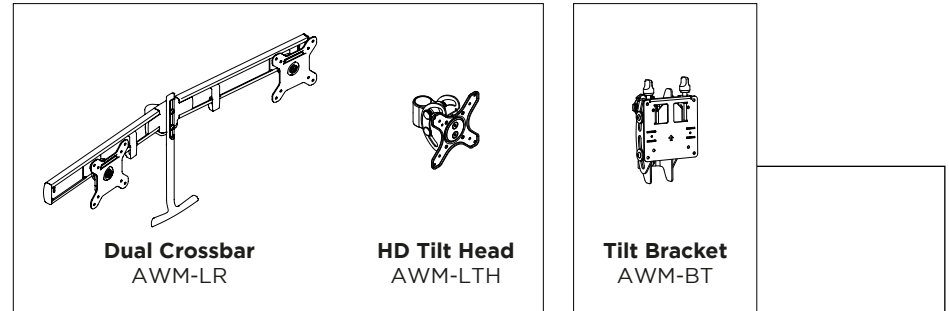
Mini PC Mount Plate
AC-MP

HEAVY-DUTY PRODUCT SYSTEM DIAGRAM

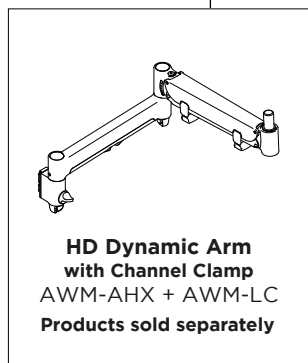
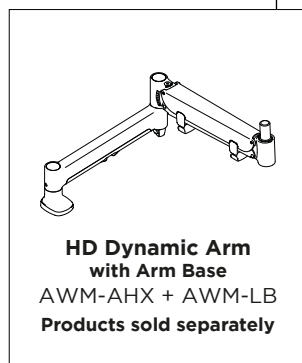
IMPORTANT

- Any mounting surface must be capable of supporting the combined weight of all products, including attached displays and devices.
- Monitor weight should be within the weight range of all modular elements that make up the complete mounting solution.
- All fixings are sold separately.

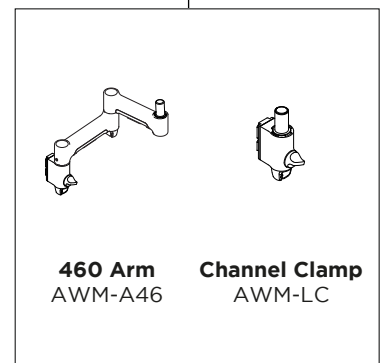
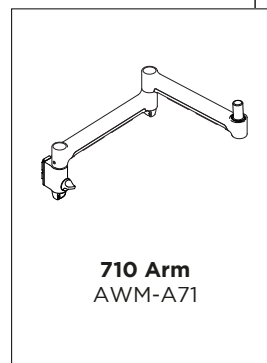
HEADS



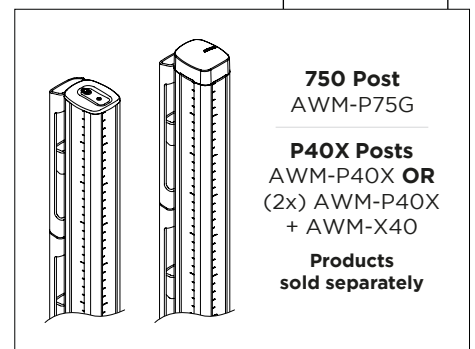
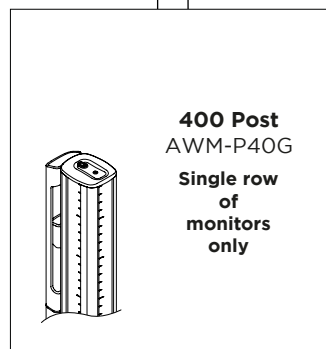
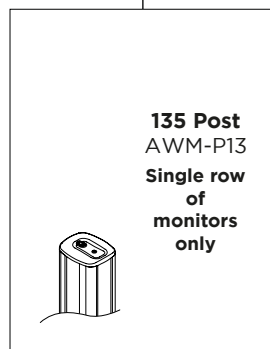
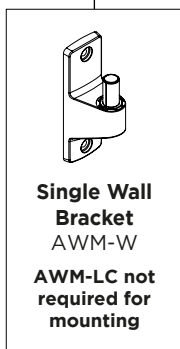
DYNAMIC ARMS



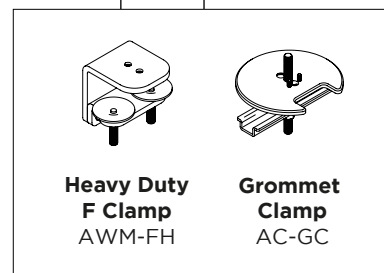
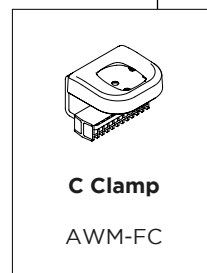
SWING ARMS



POSTS



FIXINGS



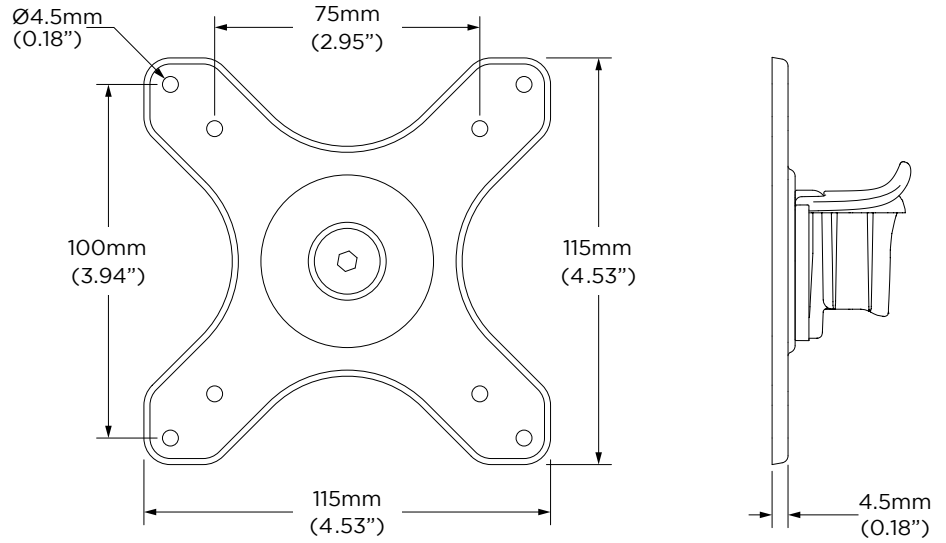
HEADS

VESA Head AWM-HV

Dimensions

Note: VESA Head supplied with the following arms:

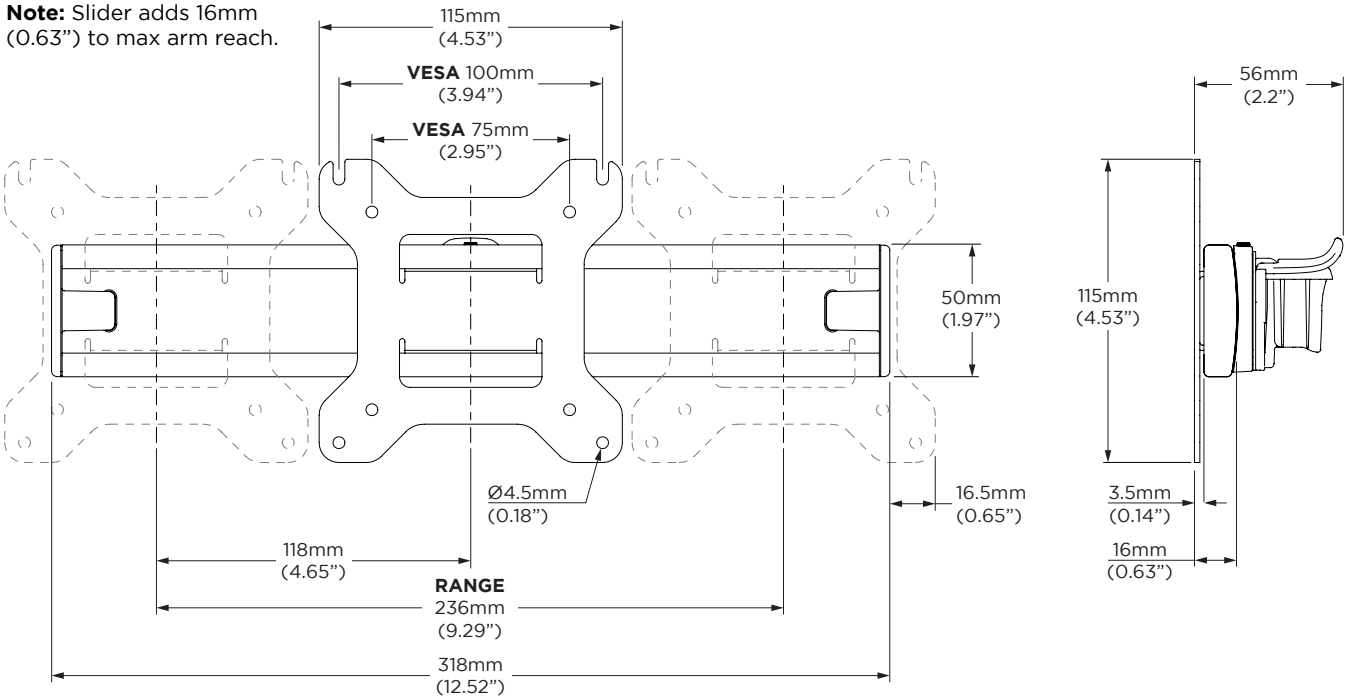
- AWM-A13
- AWM-A46
- AWM-A71
- AWM-AD
- AWM-ADC



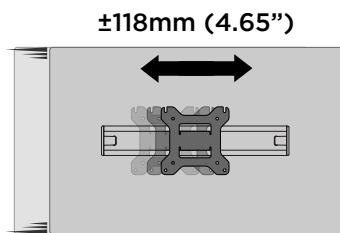
Slider AWM-HS

Dimensions

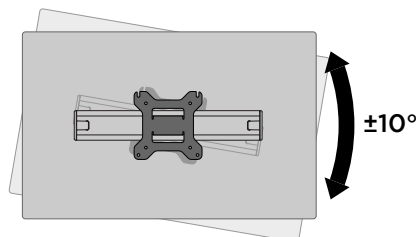
Note: Slider adds 16mm (0.63") to max arm reach.



Horizontal Adjustment



Levelling Adjustment



Weight Range

Flat Monitors

0-7kg (0-15lb)

Curved Monitors

0-5kg (0-11lb)

Monitor weight should be within the weight range of all modular elements that make up the complete monitor mounting solution.

Warranty

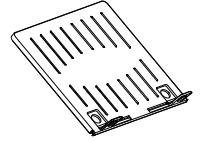
10 years limited

HEADS

Notebook Tray AWM-HN

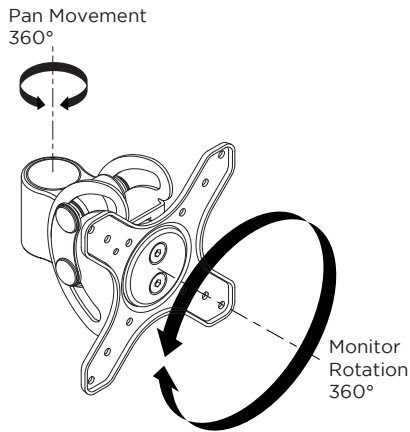
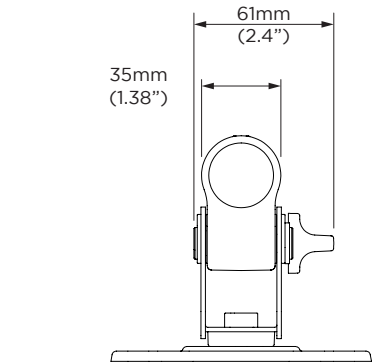
IMPORTANT

- Maximum weight load 8kg (17.5 lbs).
- Device weight should be within the weight range of all modular elements that make up the complete monitor mounting solution.
- 10 years limited warranty.
- For further details refer to the Notebook Tray AWM-HN Technical Specifications document.

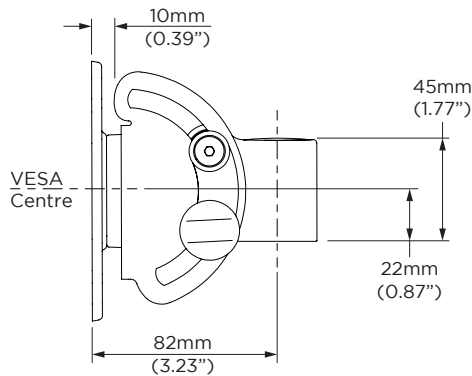
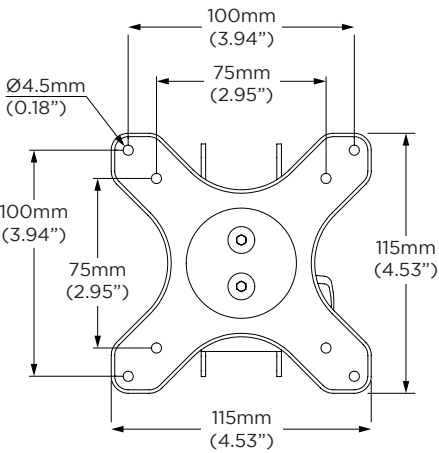
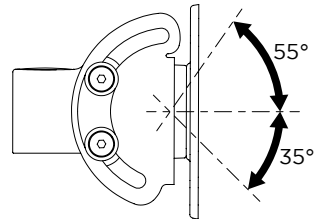


Heavy Duty VESA Tilt Head AWM-LTH

Dimensions



Tilt Angle



Weight Range

Flat Monitors
0-18kg (0-40lb)

Curved Monitors
0-12kg (0-26.5lb)

Monitor weight should be within the weight range of all modular elements that make up the complete monitor mounting solution.

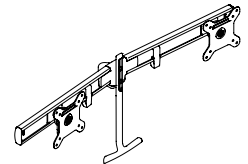
Warranty

10 years limited

Dual Crossbar AWM-LR

IMPORTANT

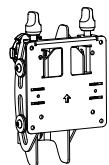
- Maximum weight range 2-7kg (4.5-15 lbs).
- Monitor weight should be within the weight range of all modular elements that make up the complete monitor mounting solution.
- 10 years limited warranty.
- For further details refer to the Dual Crossbar AWM-LR Technical Specifications document.



AWM Tilt Bracket AWM-BT

IMPORTANT

- Maximum flat display weight load 25kg (55 lbs).
- Maximum curved display weight load 18kg (40 lbs).
- Monitor weight should be within the weight range of all modular elements that make up the complete monitor mounting solution.
- 10 years limited warranty.
- For further details refer to the Tilt Bracket AWM-BT Technical Specifications document.



ARMS OVERVIEW

IMPORTANT

- Each arm's channel clamp includes a 180° rotation stop feature, to prevent interference with walls and workstation dividers. This feature can be activated or removed. See arm installation instructions for more details.
- Monitor weight should be within the weight range of all modular elements that make up the complete mounting solution.
- Contact Atdec for advice if you have a display/device that exceeds 100mm in overall depth.

130 Arm AWM-A13

	<p>Weight Range</p> <p>Flat Monitors 0-12kg (0-26.5lb)</p> <p>Curved Monitors 0-8kg (0-17.5lb)</p> <p>Monitor weight should be within the weight range of all modular elements that make up the complete monitor mounting solution.</p>
<p>Warranty 10 years limited</p>	

460 Arm AWM-A46

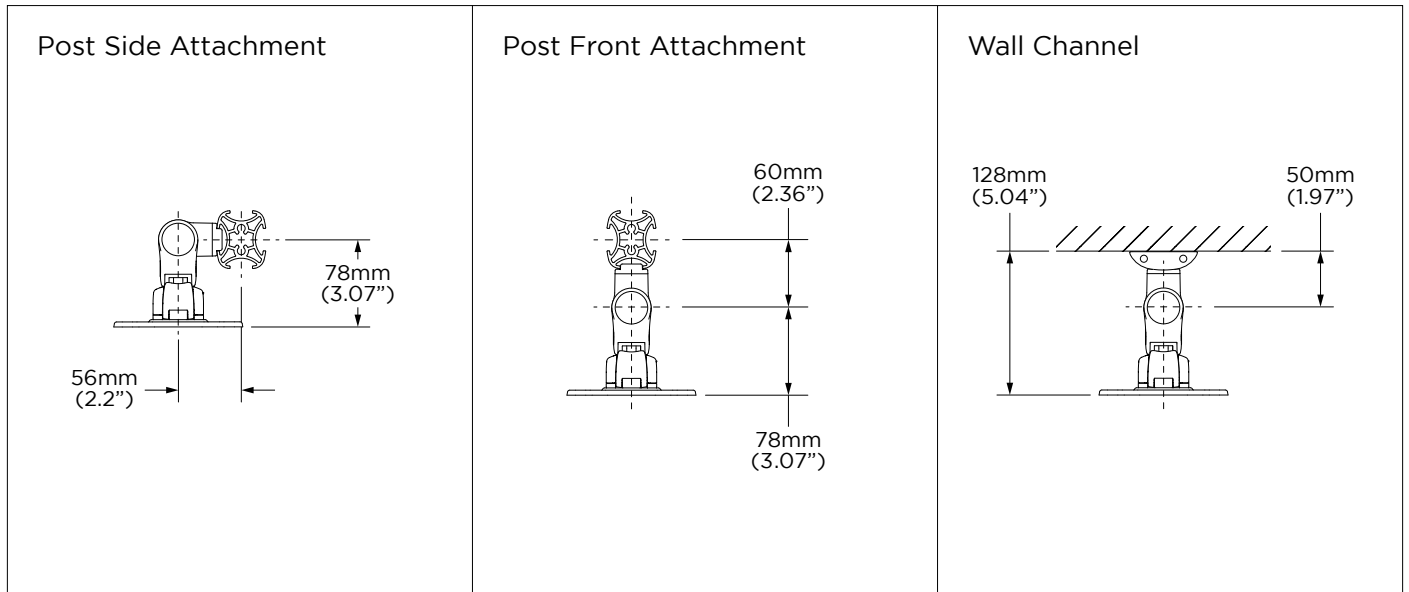
	<p>Weight Range</p> <p>Flat Monitors 0-12kg (0-26.5lb)</p> <p>Curved Monitors 0-8kg (0-17.5lb)</p> <p>Monitor weight should be within the weight range of all modular elements that make up the complete monitor mounting solution.</p>
<p>Warranty 10 years limited</p>	

710 Arm AWM-A71

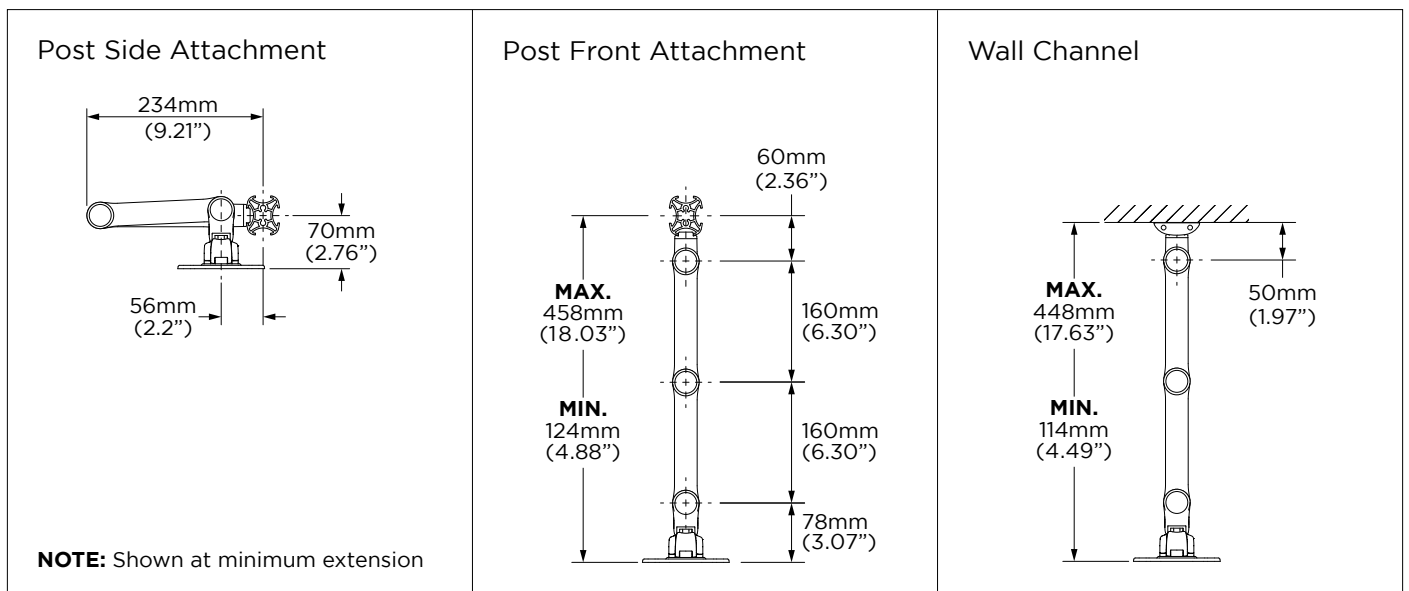
	<p>Weight Range</p> <p>Flat Monitors 0-9kg (0-20lb)</p> <p>Curved Monitors 0-8kg (0-17.5lb)</p> <p>Monitor weight should be within the weight range of all modular elements that make up the complete monitor mounting solution.</p>
<p>Warranty 10 years limited</p>	

ARMS DIMENSIONS

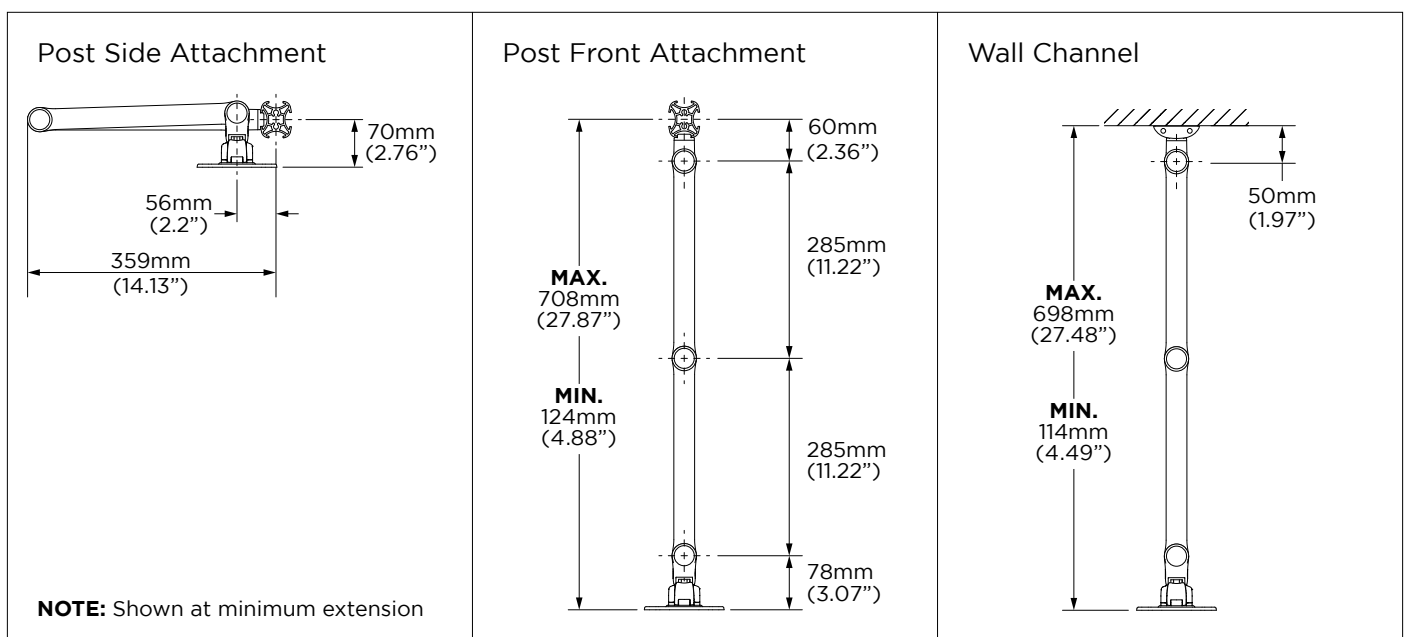
130 Arm AWM-A13



460 Arm AWM-A46



710 Arm AWM-A71

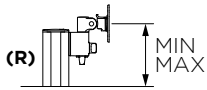
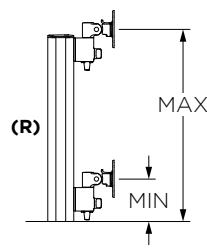
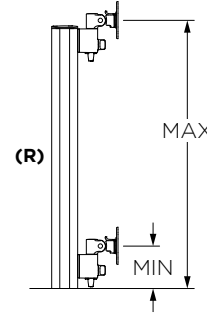


ARMS HEIGHT ADJUSTMENT ON POSTS

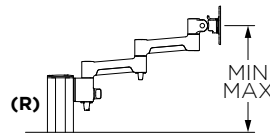
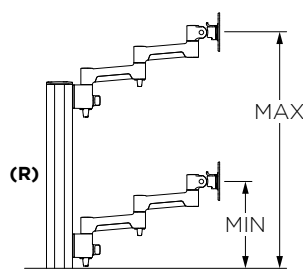
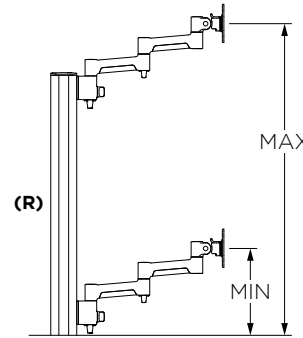
IMPORTANT

- Measurements taken from centre of VESA mount.
- The C Clamp (AWM-FC) increases the minimum height by 26mm (1.02”).

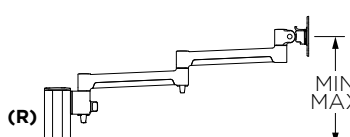
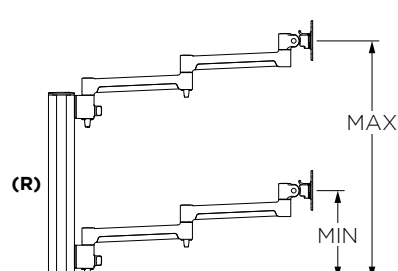
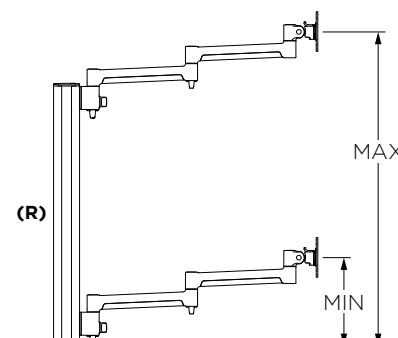
130 Arm AWM-A13 on Post

135 Post AWM-P13	400 Post AWM-P40	750 Post AWM-P75
		
<p>MIN HEIGHT 110mm (4.33") MAX HEIGHT 163mm (6.42") RANGE (R) 53mm (2.09")</p>	<p>MIN HEIGHT 110mm (4.33") MAX HEIGHT 428mm (16.85") RANGE (R) 318mm (12.52")</p>	<p>MIN HEIGHT 110mm (4.33") MAX HEIGHT 778mm (30.63") RANGE (R) 668mm (26.3")</p>

460 Arm AWM-A46 on Post

135 Post AWM-P13	400 Post AWM-P40	750 Post AWM-P75
		
<p>MIN HEIGHT 233mm (9.17") MAX HEIGHT 286mm (11.26") RANGE (R) 53mm (2.09")</p>	<p>MIN HEIGHT 233mm (9.17") MAX HEIGHT 551mm (21.69") RANGE (R) 318mm (12.52")</p>	<p>MIN HEIGHT 233mm (9.17") MAX HEIGHT 901mm (35.47") RANGE (R) 668mm (26.3")</p>

710 Arm AWM-A71 on Post

135 Post AWM-P13	400 Post AWM-P40	750 Post AWM-P75
		
<p>MIN HEIGHT 230mm (9.06") MAX HEIGHT 283mm (11.14") RANGE (R) 53mm (2.09")</p>	<p>MIN HEIGHT 230mm (9.06") MAX HEIGHT 548mm (21.57") RANGE (R) 318mm (12.52")</p>	<p>MIN HEIGHT 230mm (9.06") MAX HEIGHT 898mm (35.35") RANGE (R) 668mm (26.3")</p>

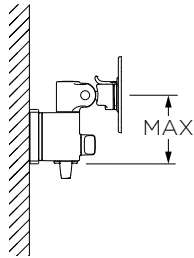
ARMS HEIGHT ADJUSTMENT ON WALL CHANNELS

IMPORTANT

- Measurements taken from bottom of wall channel to centre of VESA mount.

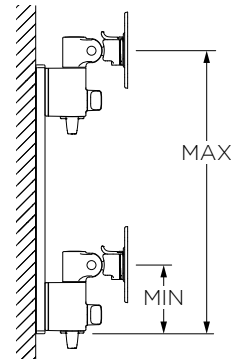
130 Arm AWM-A13 on Wall Channel

60 Wall Channel AWM-W6



FIXED HEIGHT 92mm (3.62")

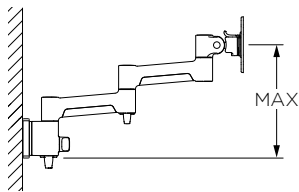
350 Wall Channel AWM-W35



MIN HEIGHT 92mm (3.62")
MAX HEIGHT 382mm (15.04")
RANGE (R) 290mm (11.42")

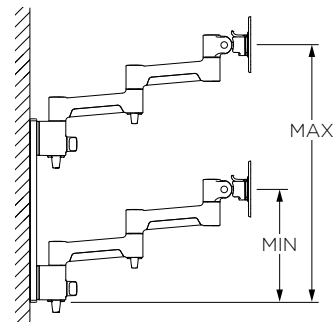
460 Arm AWM-A46 on Wall Channel

60 Wall Channel AWM-W6



FIXED HEIGHT 224mm (8.82")

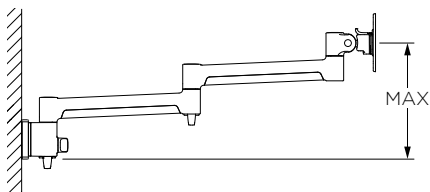
350 Wall Channel AWM-W35



MIN HEIGHT 224mm (8.82")
MAX HEIGHT 514mm (20.24")
RANGE (R) 290mm (11.42")

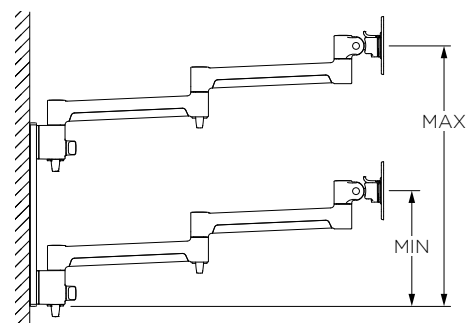
710 Arm AWM-A71 on Wall Channel

60 Wall Channel AWM-W6



FIXED HEIGHT 221mm (8.7")

350 Wall Channel AWM-W35



MIN HEIGHT 221mm (8.7")
MAX HEIGHT 511mm (20.12")
RANGE (R) 290mm (11.42")

DYNAMIC ARMS OVERVIEW

Dynamic Arm AWM-AD and Dynamic Arm with Channel Clamp AWM-ADC - Movement

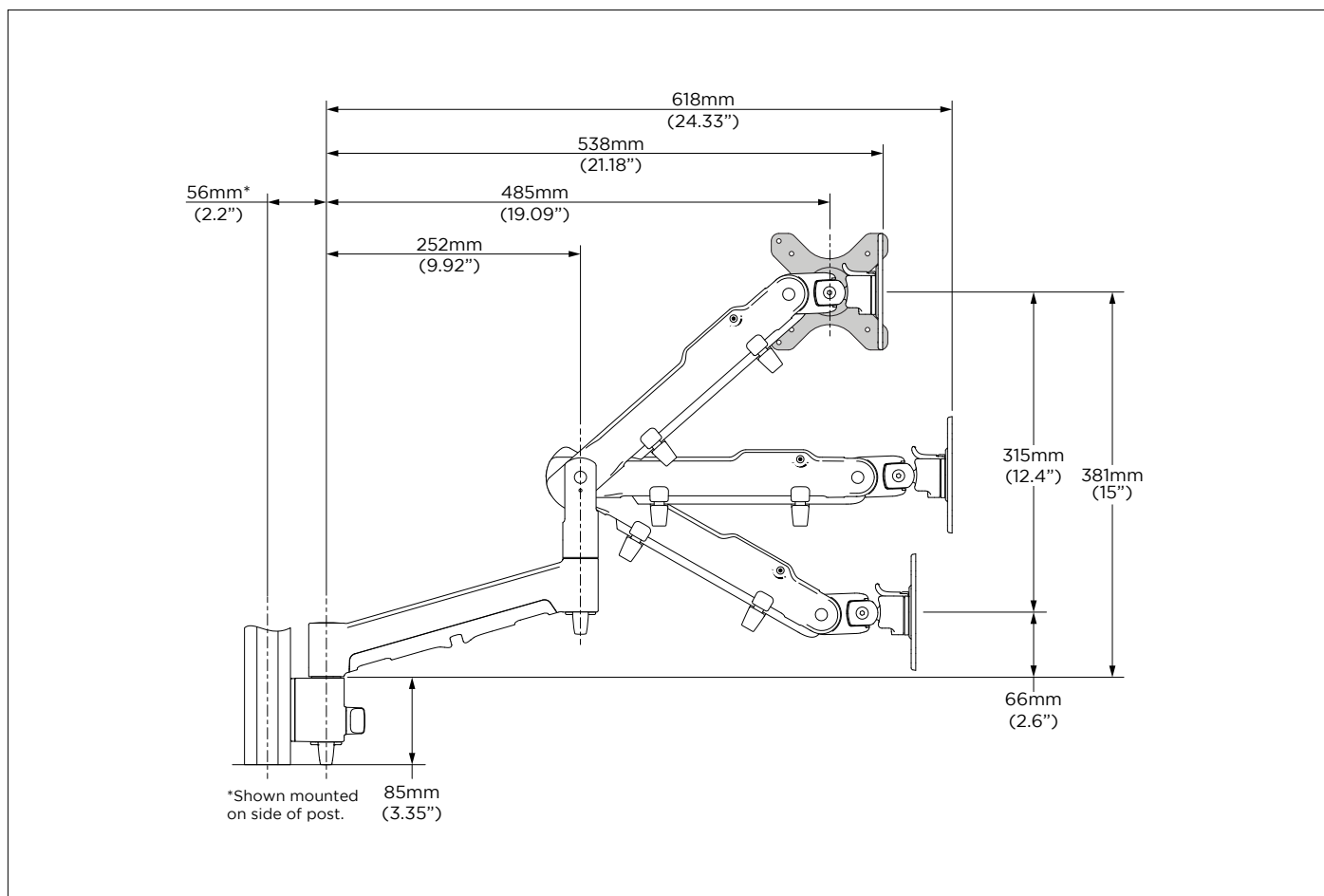
<p>Tilt Movement +45° -25°</p> <p>Pan Movement 180°</p> <p>Joint Movement 360°</p> <p>Portrait to Landscape Rotation</p> <p>Dynamic Vertical Height Adjustment</p> <p>Joint Movement 360°/180°</p>	<p>Weight Range</p> <p>Flat Monitors 0-9kg (0-20lb)</p> <p>Curved Monitors 0-6kg (0-13.5lb)</p> <p>Monitor weight should be within the weight range of all modular elements that make up the complete monitor mounting solution.</p>
	<p>NOTE</p> <ul style="list-style-type: none"> • Desk fixing sold separately
	<p>Warranty</p> <p>10 years limited</p>

Heavy Duty Dynamic Arm AWM-AHX - Movement

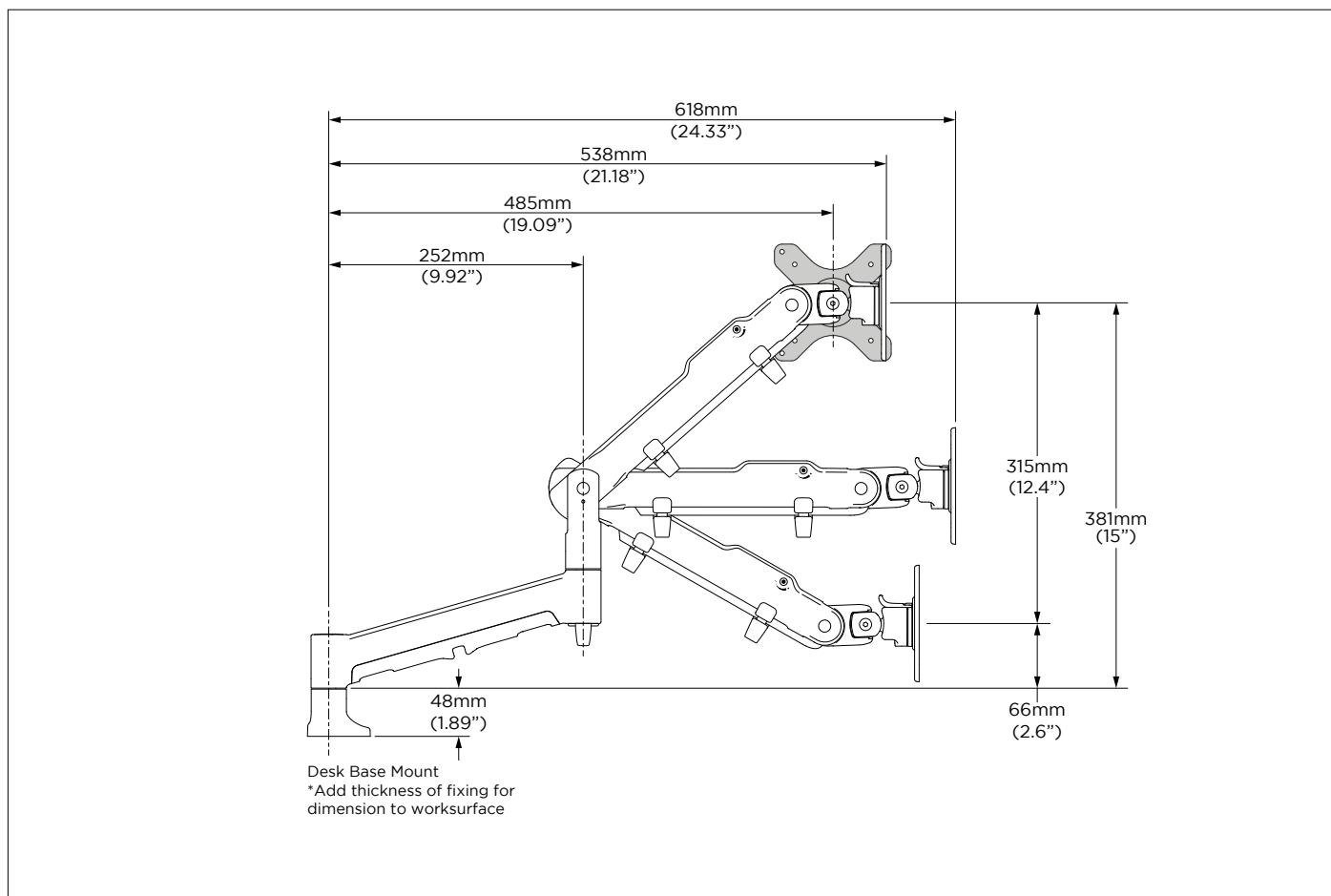
<p>Pan Movement 360°/180°</p> <p>Joint Movement 360°</p> <p>Dynamic Vertical Height Adjustment 45° 40°</p> <p>Joint Movement 360°/180°</p>	<p>Weight Range</p> <p>Desk Base Mount Flat Monitors 6-16kg (13.5-35lb)</p> <p>Curved Monitors 6-12kg (13.5-26.5lb)</p> <p>Post Mount Flat Monitors 6-14kg (13.5-31lb)</p> <p>Curved Monitors 6-12kg (13.5-26.5lb)</p> <p>Monitor weight should be within the weight range of all modular elements that make up the complete monitor mounting solution.</p>
	<p>NOTE</p> <ul style="list-style-type: none"> • AHX is not compatible with AWM Wall Channels and posts taller than 510mm (20") • Desk fixing sold separately • Head sold separately
	<p>Warranty</p> <p>10 years limited</p>

DYNAMIC ARMS DIMENSIONS

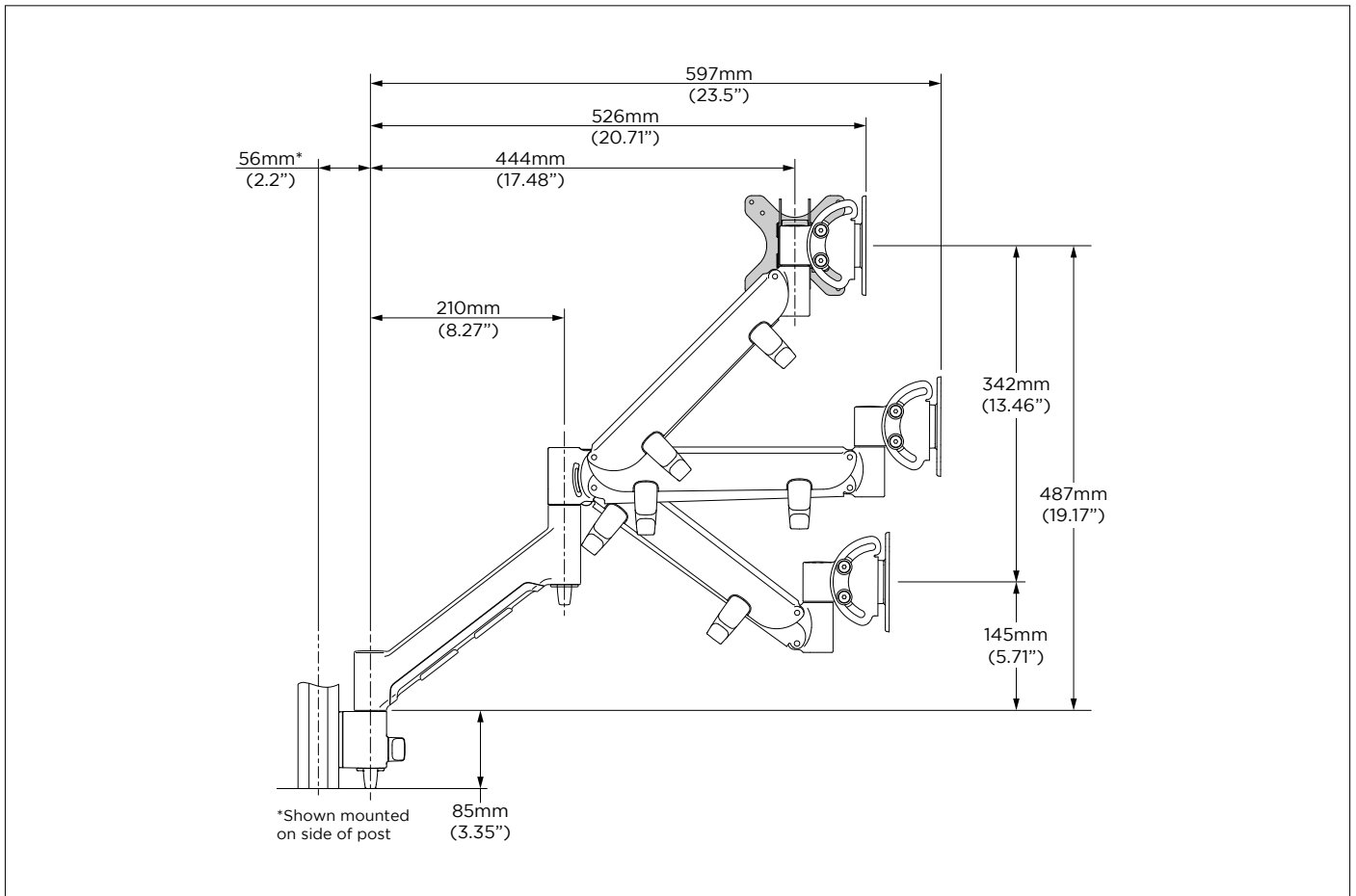
Dynamic Arm with Channel Clamp AWM-ADC



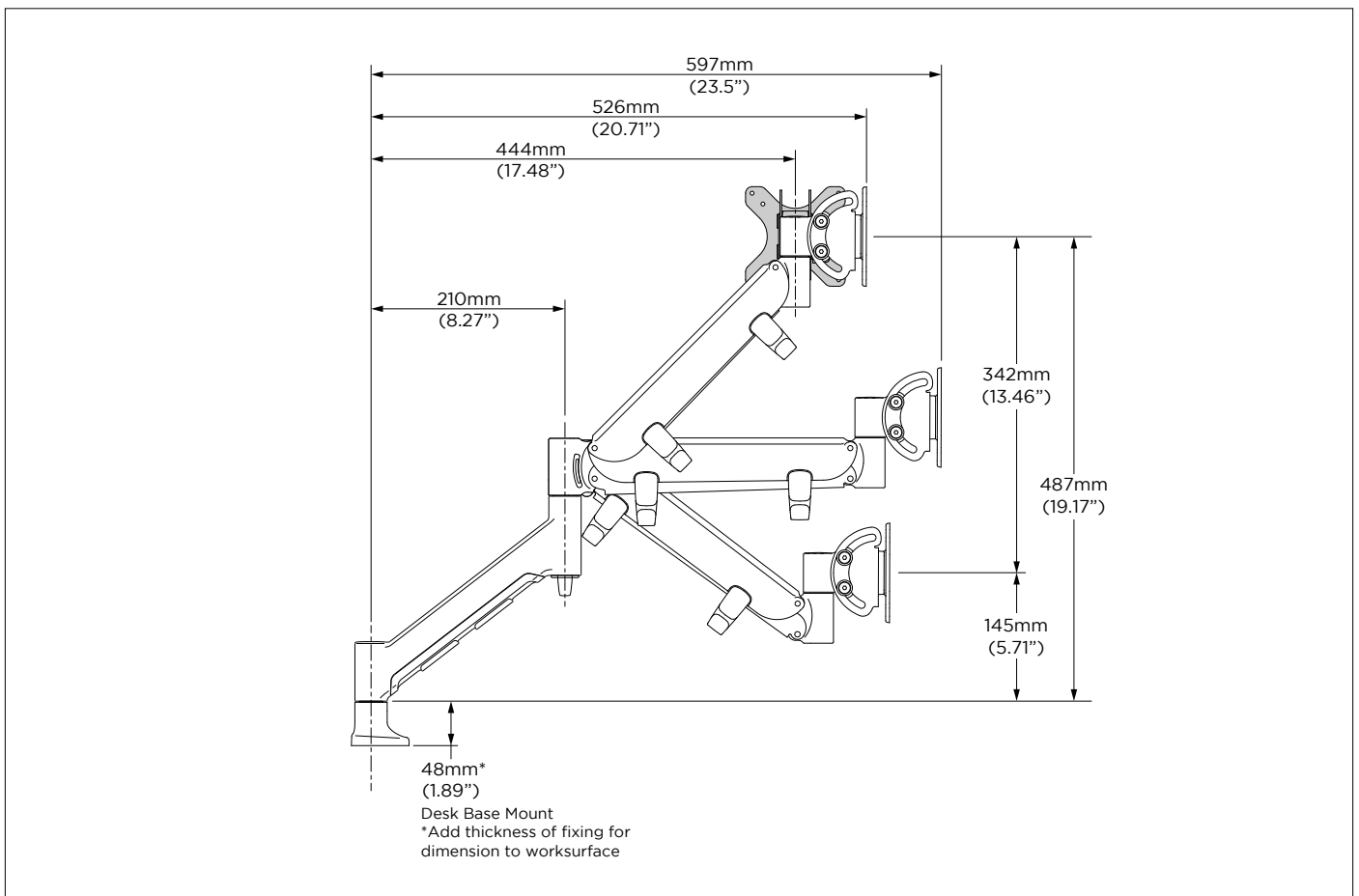
Dynamic Arm AWM-AD with Arm Base AWM-LB (sold separately)



Heavy Duty Dynamic Arm AWM-AHX
with **Channel Clamp AWM-LC** and **Heavy Duty VESA Tilt Head AWM-LTH**

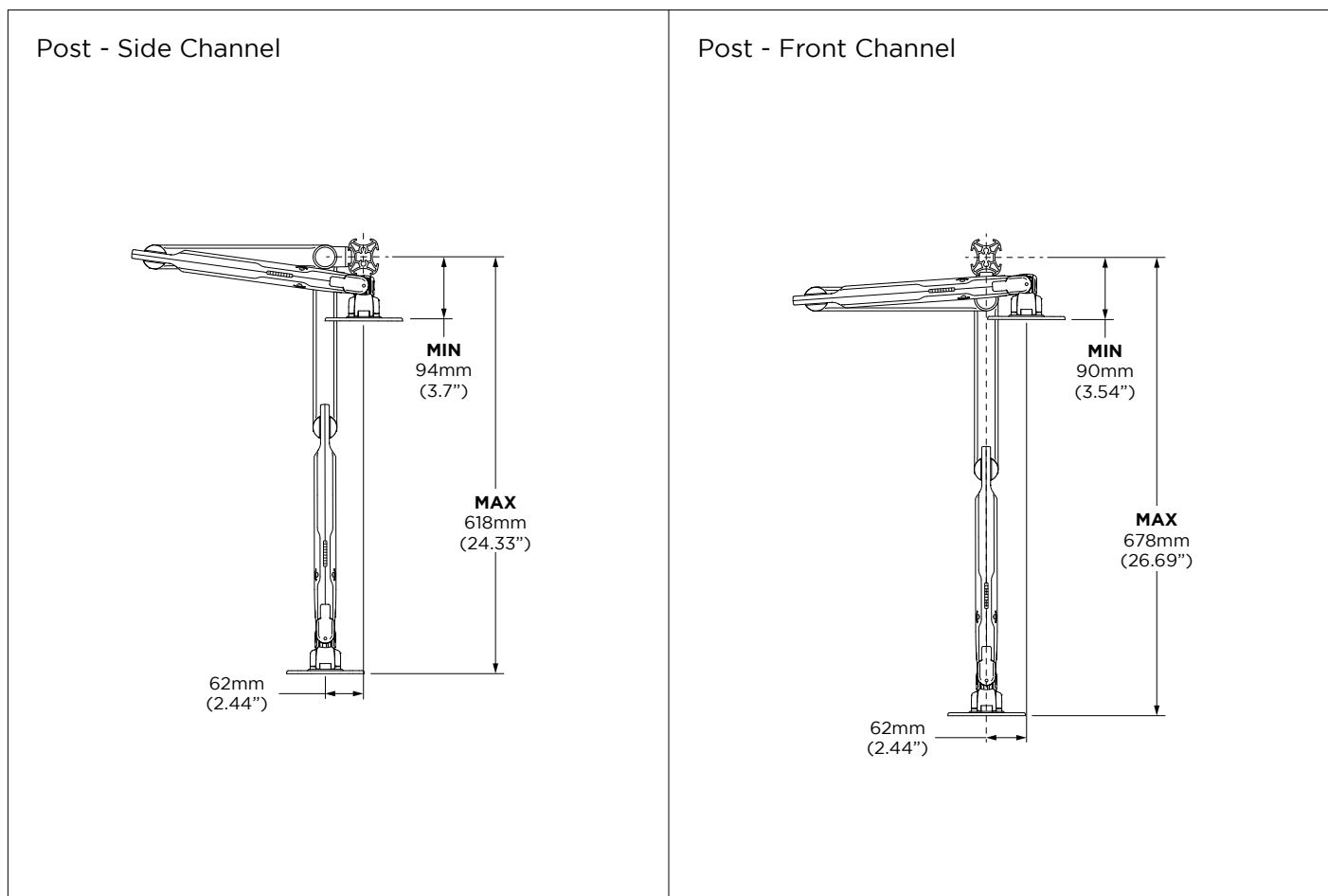


Heavy Duty Dynamic Arm AWM-AHX
with **Arm Base AWM-LB** and **Heavy Duty VESA Tilt Head AWM-LTH**

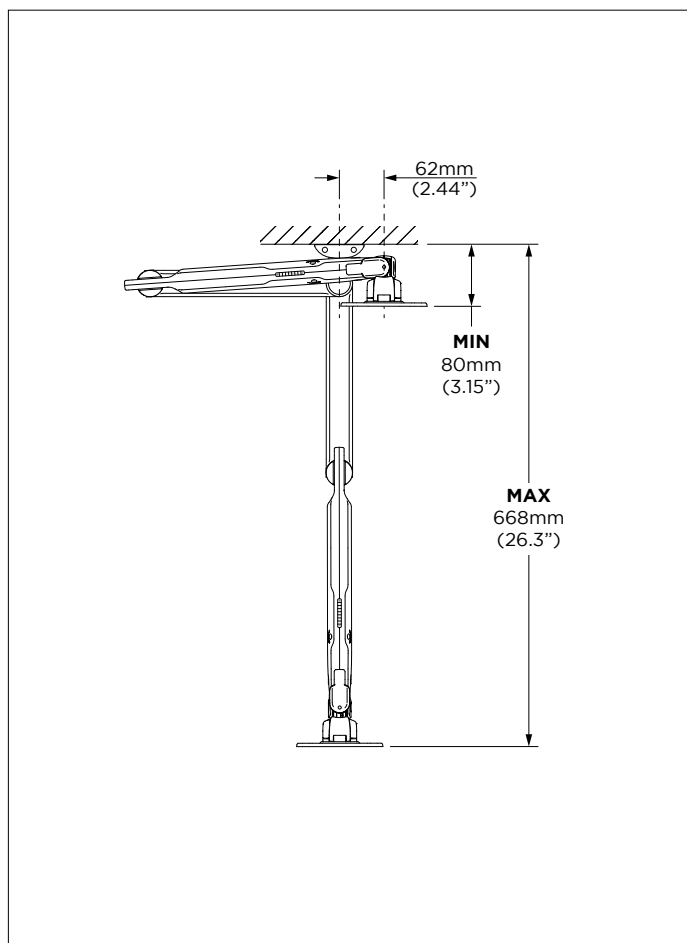


DYNAMIC ARMS DIMENSIONS ON POSTS, ARM BASE & WALL CHANNELS

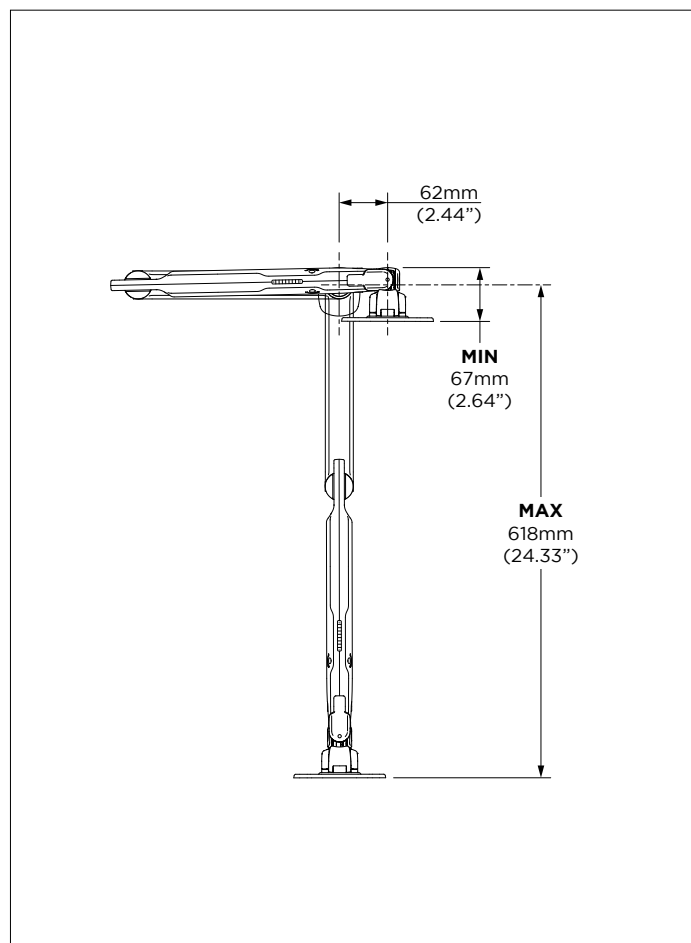
Dynamic Arm AWM-AD on Post



Dynamic Arm AWM-AD on Wall Channel

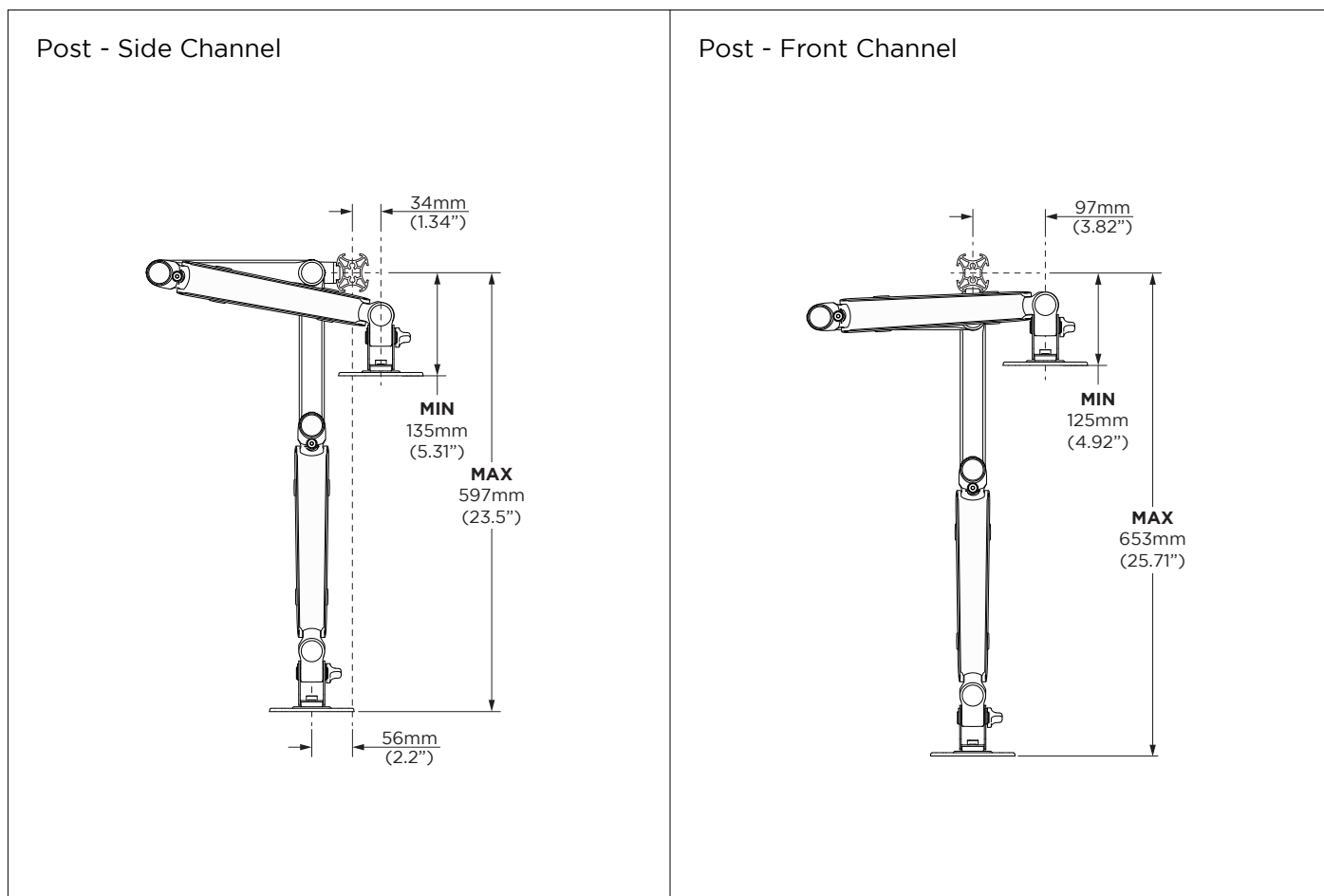


Dynamic Arm AWM-AD with Arm Base AWM-LB

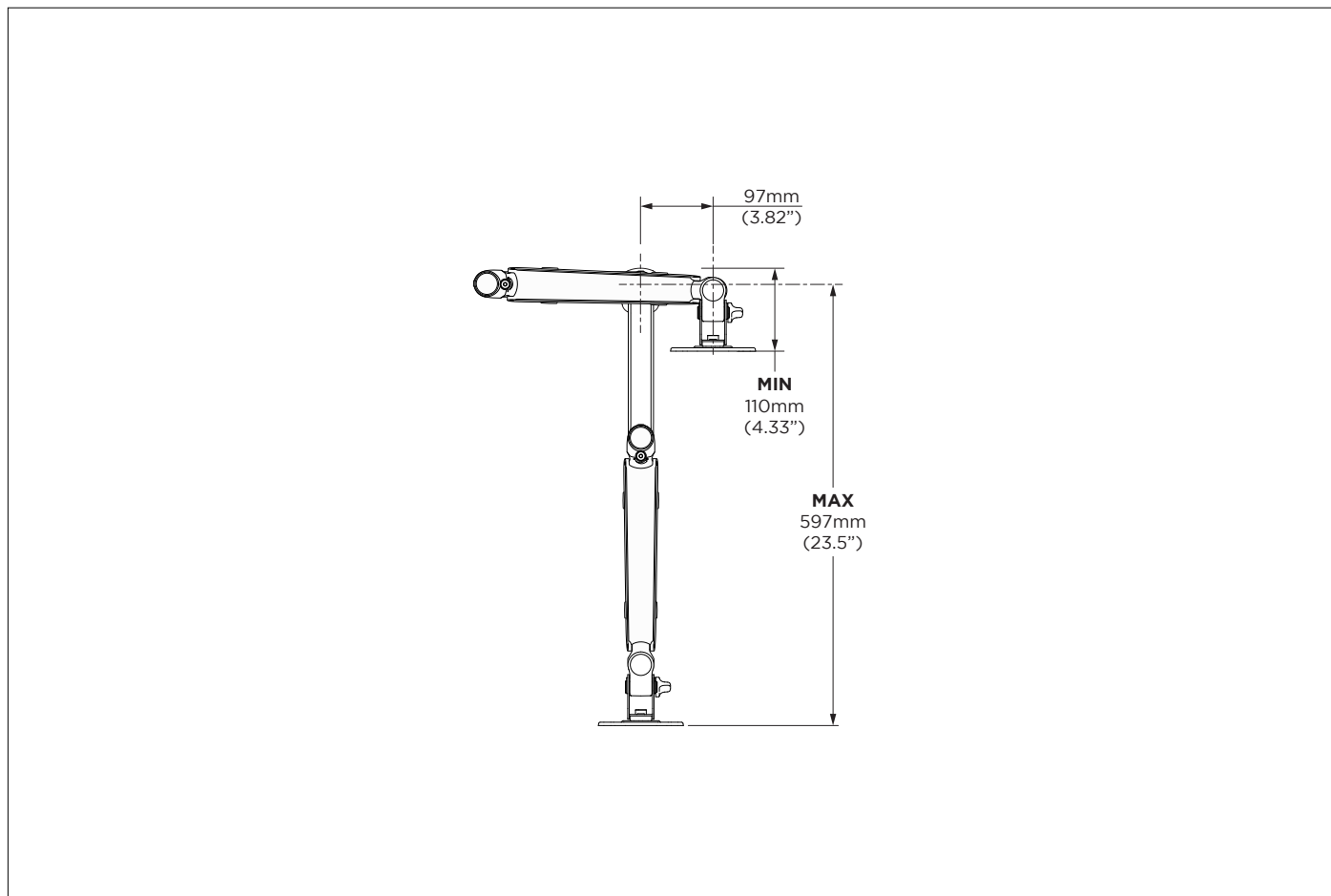


HEAVY DUTY DYNAMIC ARMS DIMENSIONS ON POSTS & ARM BASE

Heavy Duty Dynamic Arm AWM-AHX on Posts with Heavy Duty Tilt Head AWM-LTH



Heavy Duty Dynamic Arm AWM-AHX on Arm Base AWM-LB with Heavy Duty Tilt Head AWM-LTH

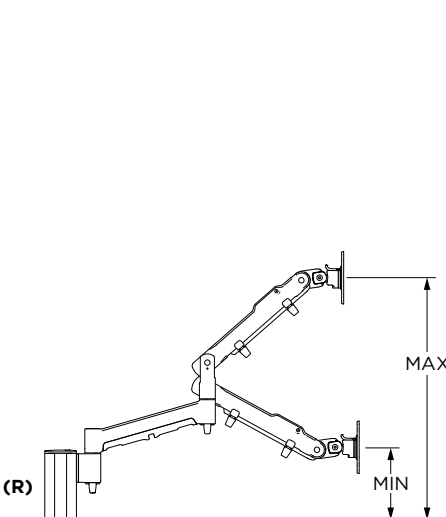
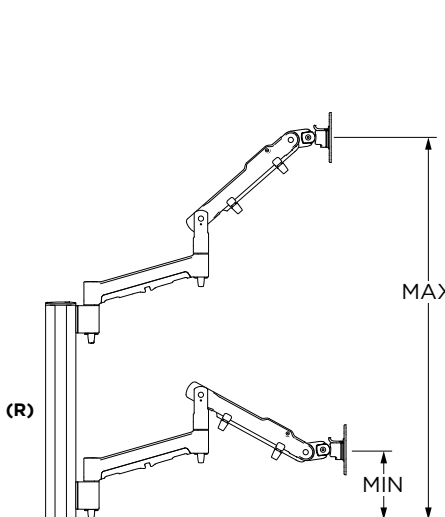
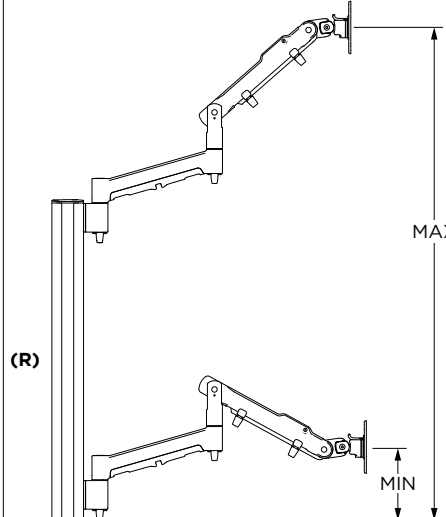


DYNAMIC ARMS HEIGHT ADJUSTMENT ON POSTS & WALL CHANNELS

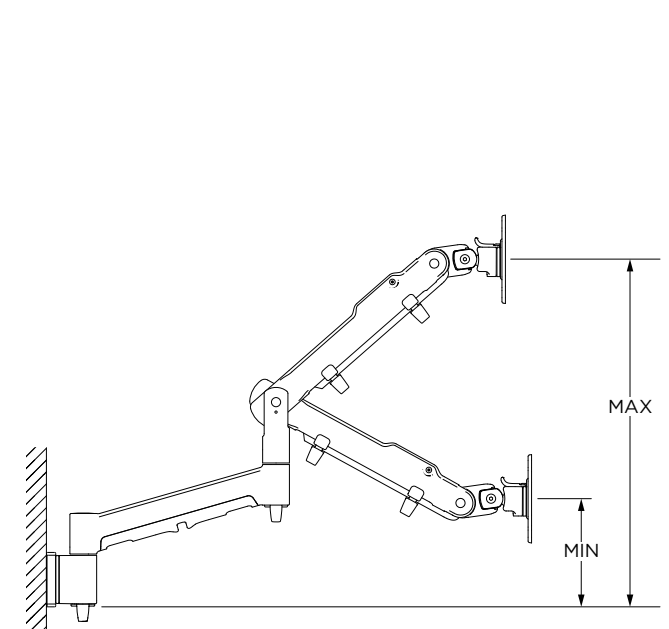
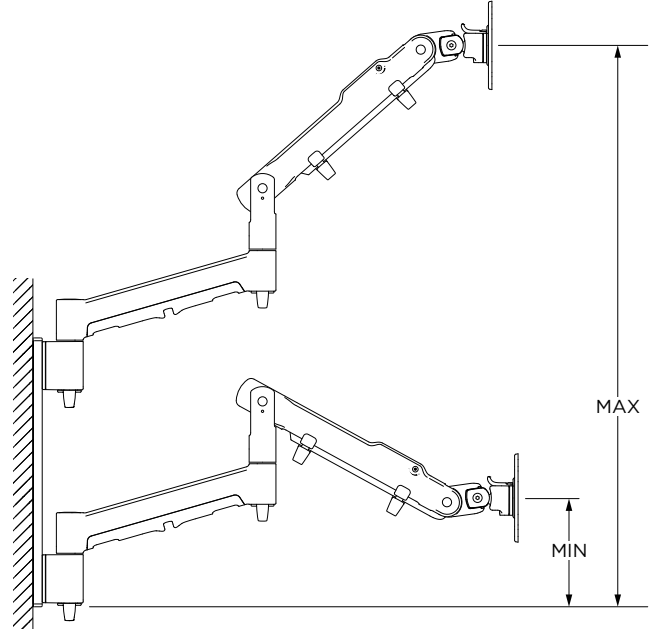
IMPORTANT

- Arm measurements taken from centre of VESA mount.
- Post measurements taken from the bottom of the post. Add thickness of the fixing (see fixings section) to minimum and maximum dimensions.
- Wall Channel measurements taken from bottom of wall channel.
- On posts mounted with the C Clamp (AWM-FC) add 26mm (1.02") to the minimum height.

Dynamic Arm AWM-AD on Posts

135 Post AWM-P13	400 Post AWM-P40	750 Post AWM-P75
 <p>(R)</p>	 <p>(R)</p>	 <p>(R)</p>
<p>MIN HEIGHT 132mm (5.2") MAX HEIGHT 500mm (19.69") RANGE (R) 368mm (14.49")</p>	<p>MIN HEIGHT 132mm (5.2") MAX HEIGHT 765mm (30.12") RANGE (R) 633mm (24.92")</p>	<p>MIN HEIGHT 132mm (5.2") MAX HEIGHT 1115mm (43.9") RANGE (R) 983mm (38.7")</p>

Dynamic Arm AWM-AD on Wall Channels

60 Wall Channel AWM-W6	350 Wall Channel AWM-W35
	
<p>MIN HEIGHT 115mm (4.53") MAX HEIGHT 430mm (16.93") RANGE (R) 315mm (12.4")</p>	<p>MIN HEIGHT 115mm (4.53") MAX HEIGHT 728mm (28.66") RANGE (R) 613mm (24.13")</p>

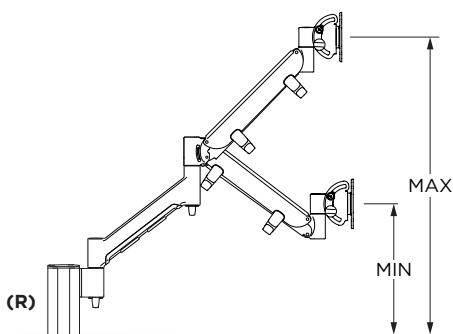
HEAVY DUTY DYNAMIC ARMS HEIGHT ADJUSTMENT ON POSTS

IMPORTANT

- Arm measurements taken from centre of VESA mount.
- Post measurements taken from the bottom of the post. Add thickness of the fixing (see fixings section) to min and max dimensions.
- On posts mounted with the C Clamp (AWM-FC) add 26mm (1.02”) to the minimum height.

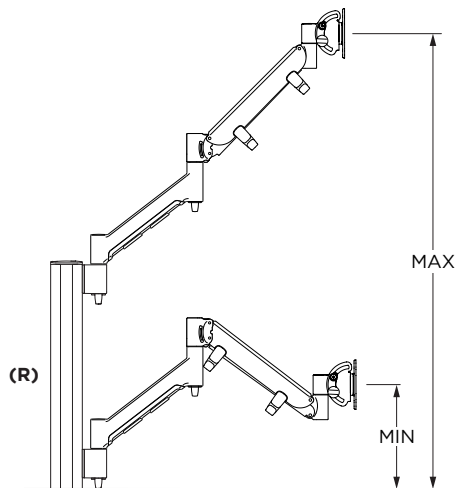
Heavy Duty Dynamic Arm AWM-AHX on Posts

135 Post AWM-P13



MIN HEIGHT 230mm (9.06")
MAX HEIGHT 617mm (24.29")
RANGE (R) 342mm (13.46")

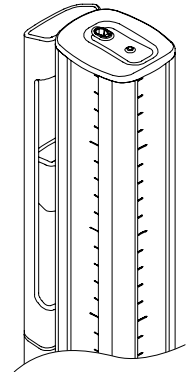
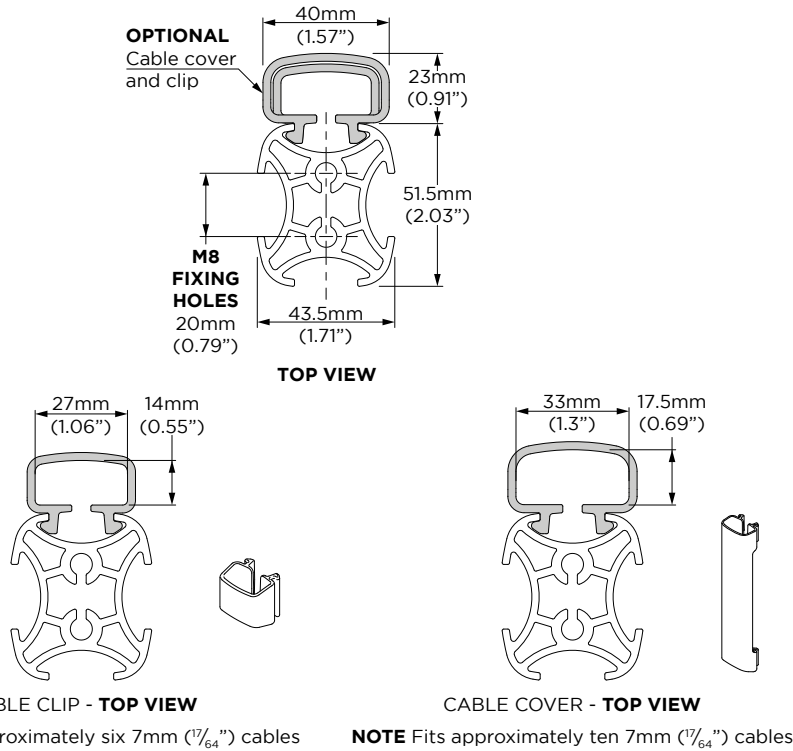
400 Post AWM-P40



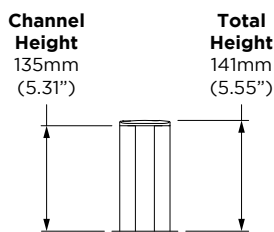
MIN HEIGHT 230mm (9.06")
MAX HEIGHT 887mm (34.92")
RANGE (R) 657mm (25.87")

POST DIMENSIONS

Top View



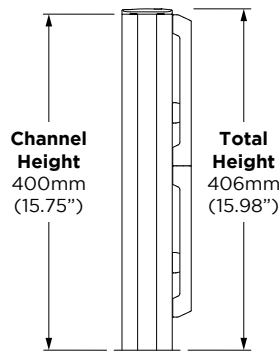
135 Post AWM-P13



Compatible Fixings:

- **Bolt Through Kit** AWM-FB
- **C Clamp** AWM-FC
- **F Clamp** AWM-FF
- **HD F Clamp** AWM-FH
- **Grommet Clamp** AC-GC

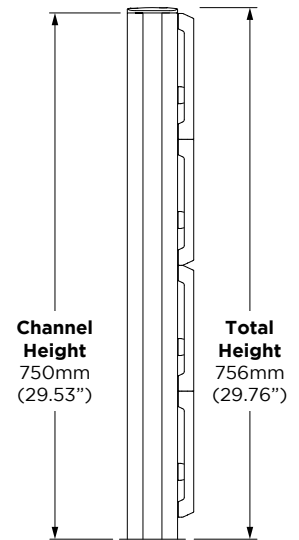
400 Post AWM-P40G



Compatible Fixings:

- **Bolt Through Kit** AWM-FB
- **C Clamp** AWM-FC
- **F Clamp** AWM-FF
- **HD F Clamp** AWM-FH
- **Grommet Clamp** AC-GC

750 Post AWM-P75G



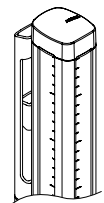
Compatible Fixings:

- **HD F Clamp** AWM-FH
- **Grommet Clamp** AC-GC

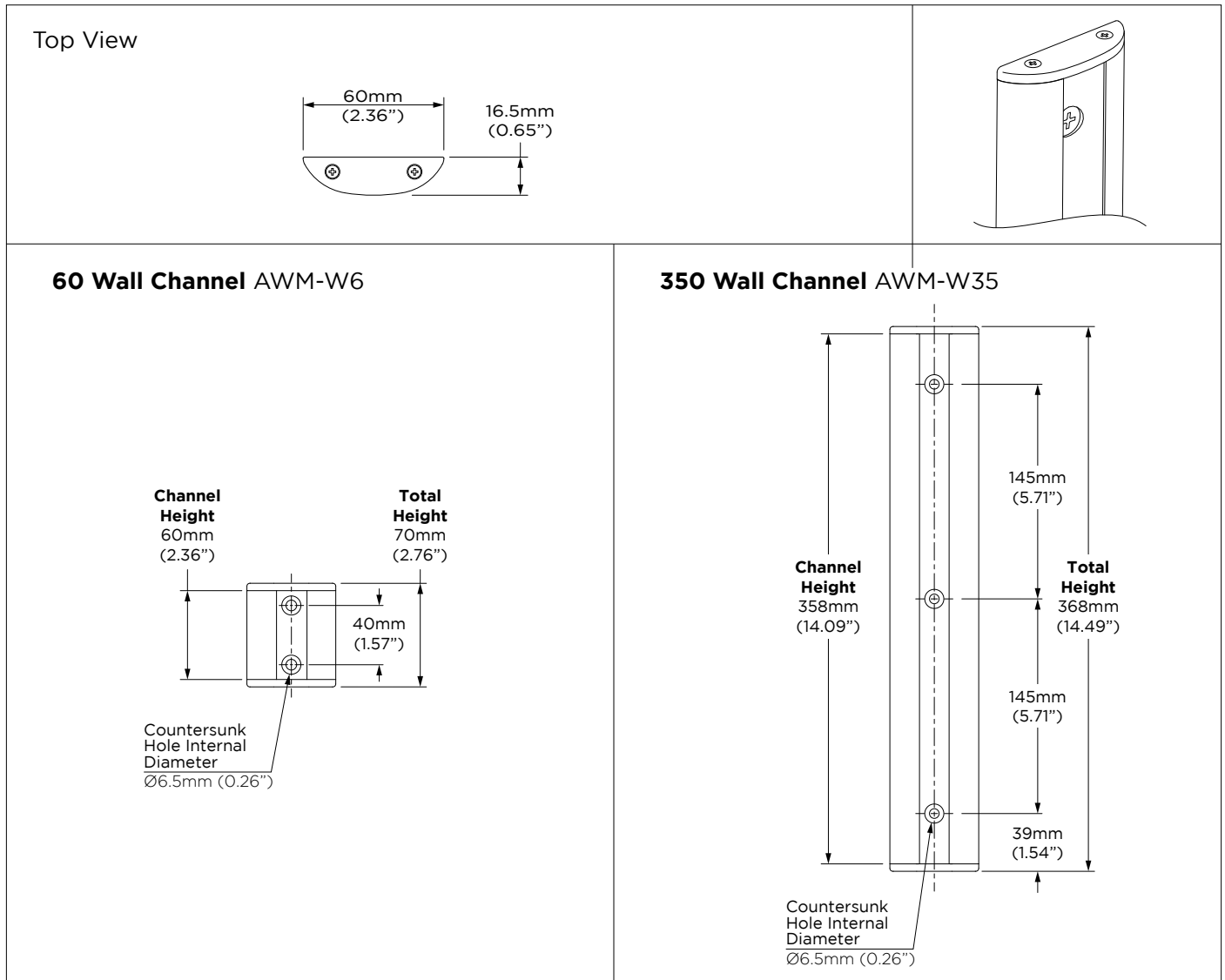
AWM Post 40 Stackable AWM-P40X with AWM Stack Kit 40 AWM-X40

IMPORTANT

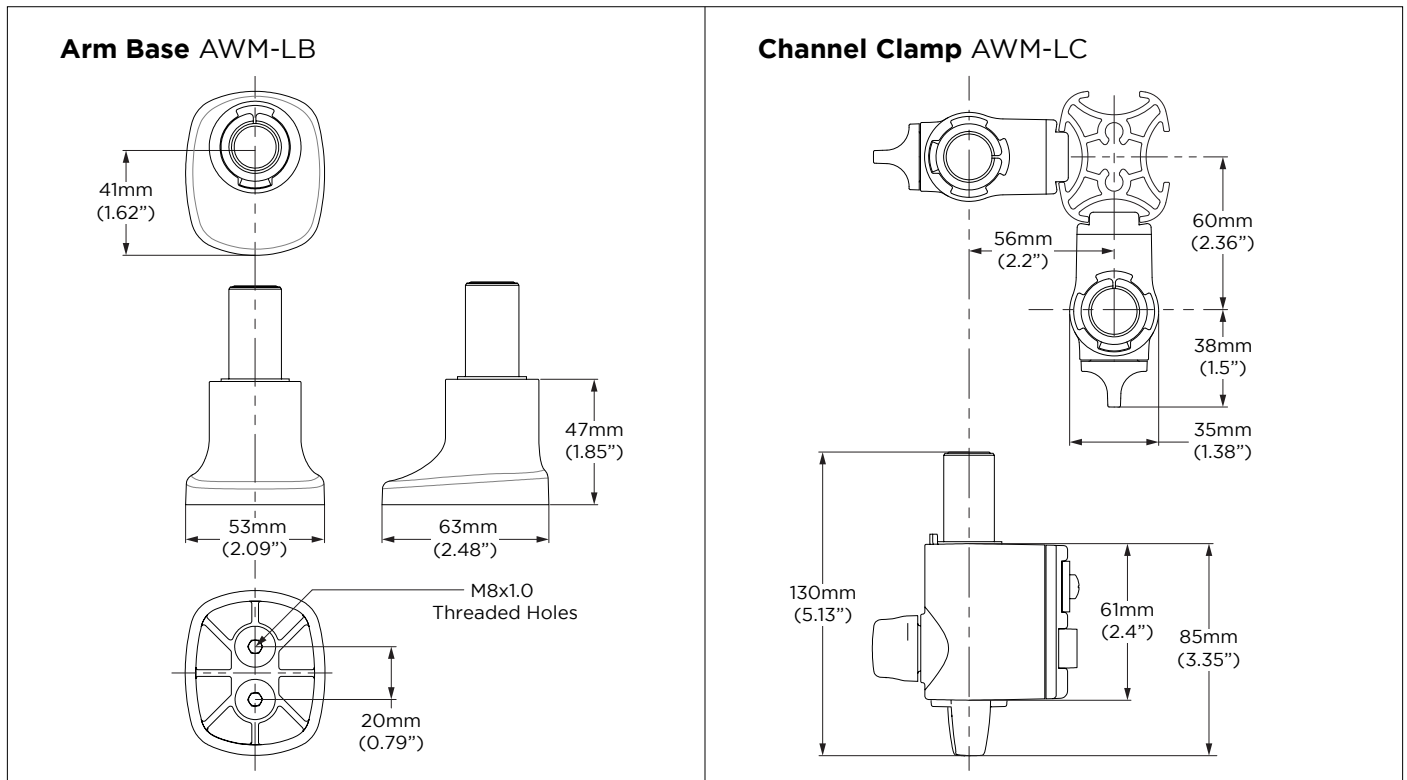
- Monitor weight should be within the weight range of all modular elements that make up the complete monitor mounting solution.
- 10 years limited warranty.
- For further details refer to the AWM Post 40 Stackable AWM-P40X and AWM Stack Kit 40 AWM-X40 Technical Specification document.



WALL FIXINGS DIMENSIONS



ARM FIXINGS DIMENSIONS

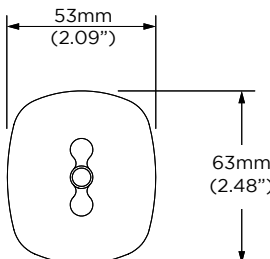
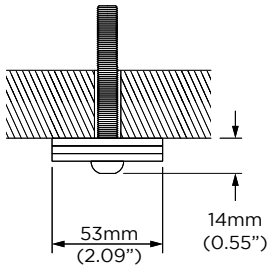
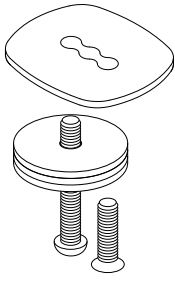
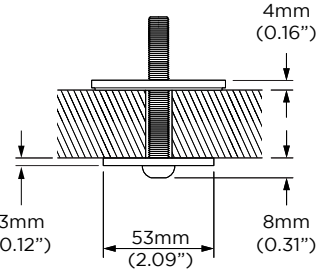
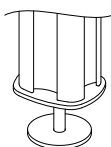
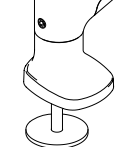
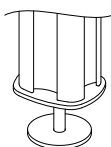
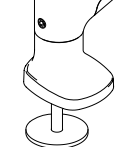
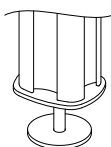
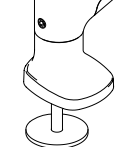


FIXINGS

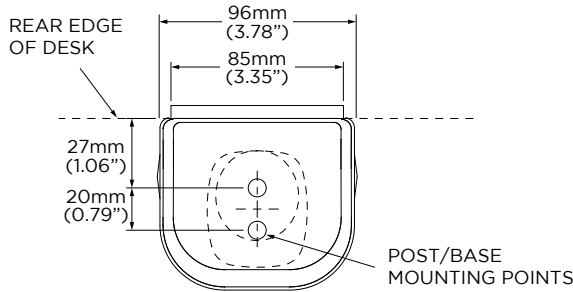
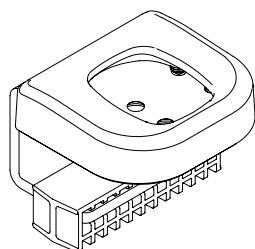
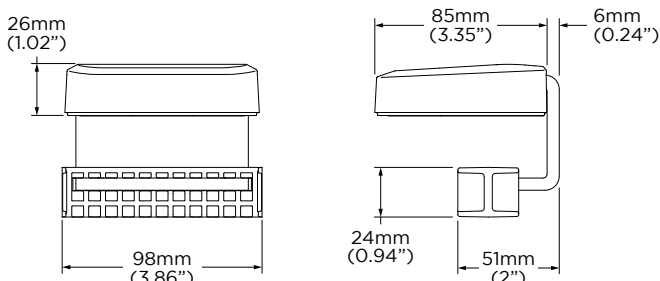
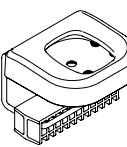
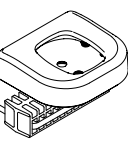
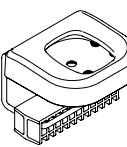
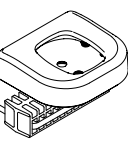
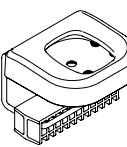
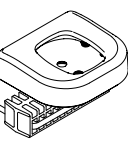
IMPORTANT

- Any mounting surface must be capable of supporting the combined weight of all products and attached displays/devices.
- Monitor weight should be within the weight range of all modular elements that make up the complete mounting solution.
- All fixings are sold separately.

Bolt Through Kit AWM-FB

<p>Top View</p> 	<p>Arm Base (3 washer) Installation</p> 							
<p>NOTE: This desk fixing is not compatible with AWM-P75G, the Stacked P40X Posts (x2 AWM-P40X + AWM-X40) or the heavy duty range.</p> <p>Please use the AC-GC Grommet Clamp as a bolt-through kit for AWM-P75G and the Stacked P40X Posts (x2 AWM-P40X + AWM-X40) and the heavy duty range.</p>	<p>Post Installation</p> 	<p>Worksurface Thickness</p> <table border="0"> <tr> <td data-bbox="1109 862 1220 907">POST</td> <td data-bbox="1308 862 1436 907">ARM BASE</td> </tr> <tr> <td data-bbox="1109 918 1220 1064"></td> <td data-bbox="1308 918 1436 1064"></td> </tr> <tr> <td data-bbox="1109 1097 1220 1153">0 - 33mm (0 - 1.3")</td> <td data-bbox="1308 1097 1436 1153">15 - 33mm (0.59 - 1.3")</td> </tr> </table>	POST	ARM BASE			0 - 33mm (0 - 1.3")	15 - 33mm (0.59 - 1.3")
POST	ARM BASE							
								
0 - 33mm (0 - 1.3")	15 - 33mm (0.59 - 1.3")							

C Clamp AWM-FC

<p>Dimensions</p> 									
	<p>Worksurface Thickness</p> <table border="0"> <tr> <td data-bbox="1093 1624 1220 1668">DEFAULT</td> <td data-bbox="1308 1624 1436 1668">INVERTED</td> </tr> <tr> <td data-bbox="1093 1724 1220 1870"></td> <td data-bbox="1308 1724 1436 1870"></td> </tr> <tr> <td data-bbox="1093 1948 1220 2004">25 - 33mm (0.98 - 1.3")</td> <td data-bbox="1308 1948 1436 2004">18 - 25.8mm (0.71"-1.02")</td> </tr> <tr> <td colspan="2" data-bbox="1061 2049 1460 2094">TOTAL RANGE 18-33mm (0.71-1.3")</td> </tr> </table>	DEFAULT	INVERTED			25 - 33mm (0.98 - 1.3")	18 - 25.8mm (0.71"-1.02")	TOTAL RANGE 18-33mm (0.71-1.3")	
DEFAULT	INVERTED								
									
25 - 33mm (0.98 - 1.3")	18 - 25.8mm (0.71"-1.02")								
TOTAL RANGE 18-33mm (0.71-1.3")									

F Clamp AWM-FF

Dimensions

Worksurface Thickness

DEFAULT

0 - 36mm
(0 - 1.42")

INVERTED

36 - 79mm
(1.42 - 3.11")

TOTAL RANGE 0-79mm (0-3.11")

Heavy Duty F Clamp AWM-FH

Dimensions

Worksurface Thickness

TOP

0-38mm
(0-1.5")

MIDDLE

11-53mm
(0.43-2.09")

BOTTOM

25-68mm
(0.98-2.68")

TOTAL RANGE 0-68mm (0-2.68")

Grommet Clamp AC-GC

IMPORTANT

- The Grommet Clamp fixing is compatible with AWM Series Post and Arm Base products.
- Ensure the overall solution is rated to support the combined weight of all products and attached displays/devices.
- For further details refer to the Grommet Clamp Technical Specifications document.

Slat Wall Adaptor AWM-WS

<p>Dimensions</p> <div style="border: 1px solid black; padding: 5px; margin: 10px 0;"> <p>IMPORTANT Must be used with AWM 60 Wall Channel AWM-W6 (sold separately)</p> </div>	<p>Weight Range</p> <p>0-7kg (0-15lb)</p> <p>Monitor weight should be within the weight range of all modular elements that make up the complete monitor mounting solution.</p>
<p>Slat Wall Groove Pitch</p> <p>MIN PITCH 36mm (1.42") MAX PITCH 78mm (3.07")</p>	<p>NOTE</p> <p>Designed for use with desking slat walls and tool rails.</p> <p>Also suits Atdec ADB Rails</p> <ul style="list-style-type: none"> • ADB-R48 • ADB-R68 • ADB-R125 • ADB-R175
	<p>Warranty</p> <p>10 years limited</p>

Single Wall Bracket AWM-W

<p>IMPORTANT</p> <ul style="list-style-type: none"> • Maximum display weight load 18kg (40 lbs). • Monitor weight should be within the weight range of all modular elements that make up the complete mounting solution. • 10 years limited warranty. • For further details refer to the Single Wall Bracket AWM-W Technical Specifications document. 	
--	--

ACCESSORIES

Mini PC Mount Plate AC-MP

<p>IMPORTANT</p> <ul style="list-style-type: none"> • Maximum weight load 5kg (11 lbs). • The Mini PC Mount Plate is compatible with all AWM Post and Wall Channel products. • The Mounting Plate can be placed at any height on the Post or Wall Channel as desired. • Compatible with Intel NUC® devices and VESA 75x75mm and 100x100mm hole pattern compliant devices. • Slots allow mounting of NUCs with both 84 and 95mm mounting hole spacings. • Ensure solution is rated to support combined weight of all products and attached displays/devices. • 10 years limited warranty (parts and workmanship). • For further details refer to the Mini PC Mount Plate - AC-MP Technical Specifications document. 	
---	--