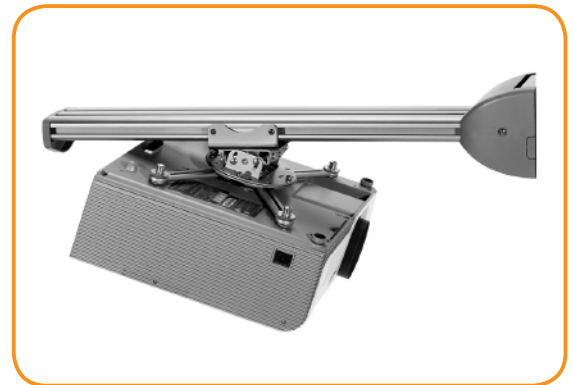


ProAV projector wall mount range **TH-PS-S, TH-PS-D**

Modular, Interchangeable, Upgradable

The ProAV short throw projector wall mount range is a complete mounting solution that is suitable for a variety of mounting situations. It is designed for use in a large range of professional and home mounting situations and is modular, interchangeable and upgradeable. The ProAV range is designed with the needs of public environments and installers in mind; integrating high security features throughout to ensure projector security whilst also maintaining ease of installation via the use of clever time saving and safe installation features. The ProAV range is the ultimate mounting solution for all projector mounting environments.



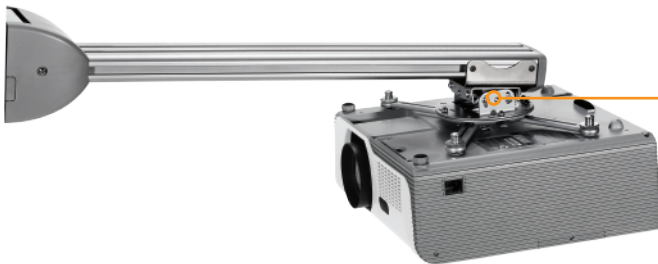
Product key features:

- Designed for use with short throw projectors
- Maximum supported weight:** 55lbs (25kgs)
- Security screws at all connection and adjustment points
- Solid Steel and Aluminium construction
- Quick and easy installation with a simple hook-in-place attachment system



Universal mounting interface suits most short throw projectors

TH-PS-S Short throw projector wall mount | Single stud



Designed to be fixed to a single (TH-PS-S) or dual (TH-PS-D) stud timber stud or masonry walls

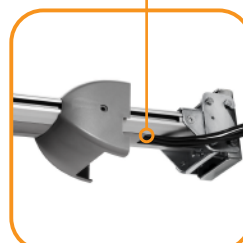


High range of pitch, roll, tilt and yaw adjustment*

TH-PS-D Short throw projector wall mount | Dual stud



Internal cable management with cable entry/exit push outs at wall plate



*The amount of available pitch may be reduced depending on the size of the projector fitted

Product information

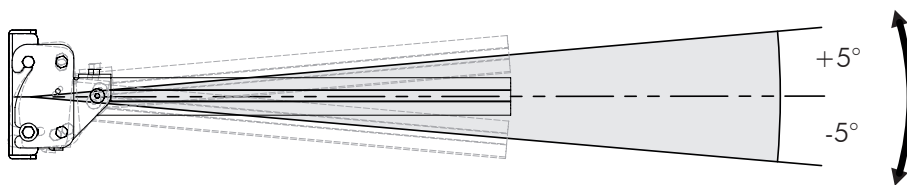
Product Code	Load capacity	Material	Colour
TH-PS-S TH-PS-D	55lbs	Steel/Aluminium	Silver

Package information, single unit

Size	Ship weight	UPC code	Contents
TH-PS-S: 37.4" x 13.8" x 8.7" TH-PS-D: 61.8" x 13.8" x 8.7"	23.1lbs 34.5lbs	881493008038 881493008328	All hardware required for installation supplied

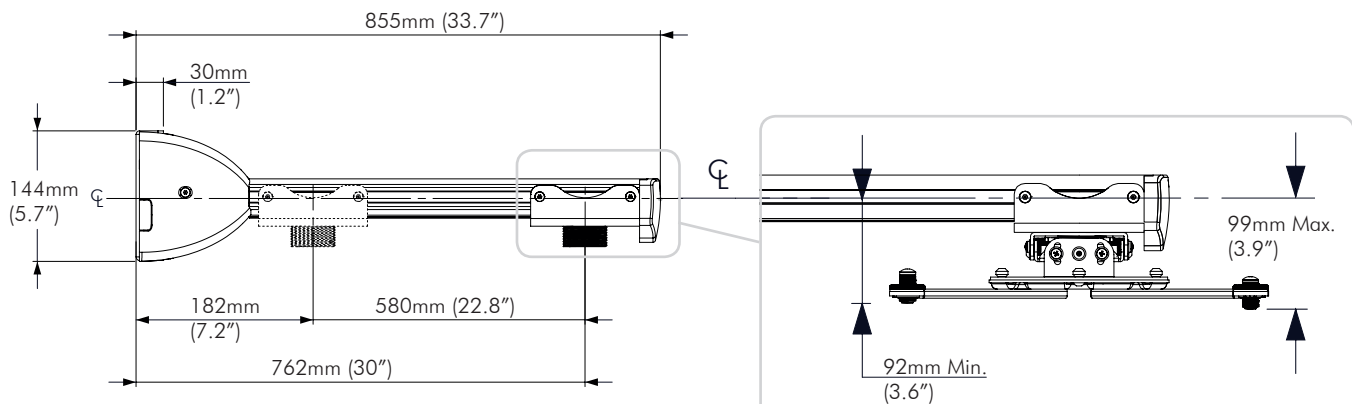
Technical drawings

Arm adjustment



The Support Arm can be adjusted by +/- 5° to account for wall slope or individual projector characteristics.

TH-PS-S dimensions



TH-PS-D dimensions

