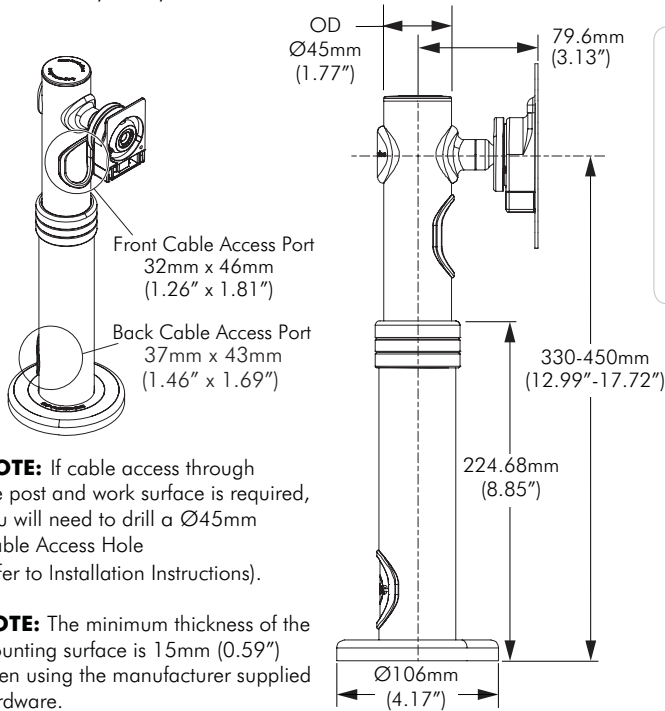


### Dimensions

**NOTE:**

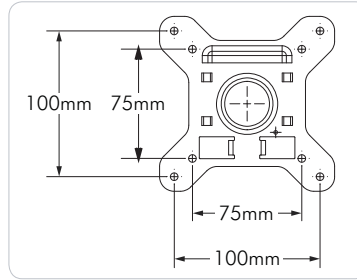
- ! This product has been designed to mount VESA compliant displays with 75mmx75mm and 100mmx100mm hole patterns only.
- ! It will support displays upto a maximum weight of 20kg (44lbs). The Back-to-Back Mount will support 2x20kg (88lbs) displays.
- ! Warranty: 10 years limited



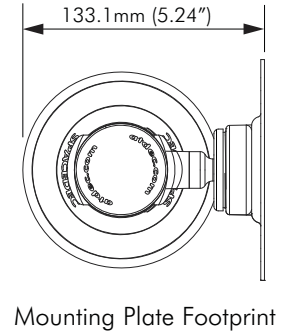
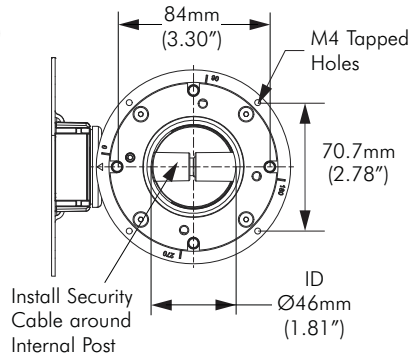
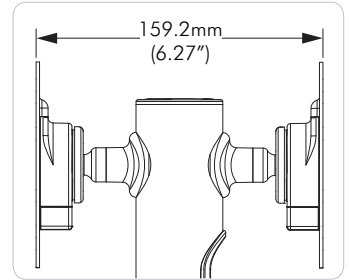
**NOTE:** If cable access through the post and work surface is required, you will need to drill a  $\varnothing 45\text{mm}$  Cable Access Hole (refer to Installation Instructions).

**NOTE:** The minimum thickness of the mounting surface is 15mm (0.59") when using the manufacturer supplied hardware.

### Mounting Hole Options



### Back to Back Mount

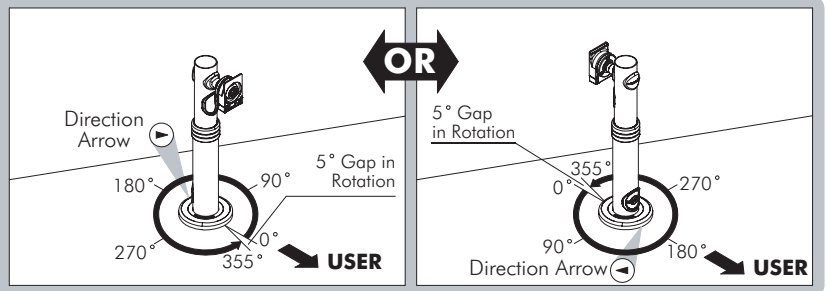


### Mounting Options

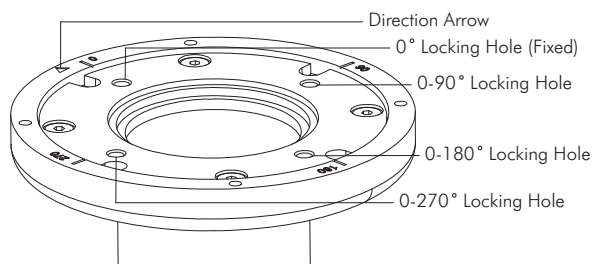
Your SD-POS-HA offers 355° of Rotation. This can also be limited to suit a specific application. The direction in which you mount SD-POS-HA will determine where the 5° gap in rotation is located, and how you choose to limit the rotation.

#### Rotation Options

- 0° Rotation (Fixed)
- 0-90° Rotation
- 0-180° Rotation
- 0-270° Rotation
- 0-355° Rotation



### LOCKING HOLES (Refer to Installation Instructions for further details)



### VESA Ball Mount

Each Ball Assembly has a 40° range of movement.

