

TH-1040-CTS

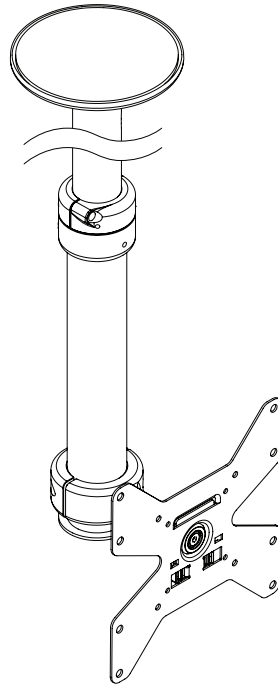
TH-1040-CTL

TH-1040-CT-B2B

TH-1040-CT-RCK

TH-1040-CT-DV

1040 Ceiling Mount



FEATURES

- Ceiling mount ideal for medium-size displays
- Telescopic height adjustment
- Provides for optimum viewing angle selection with (tool-free) upwards and downwards tilt angle adjustment
- Concealed cable management through pole assembly
- Upgradable to dual vertical and/or back to back configurations with TH-1040-DV, TH-1040-RCK, TH-1040-B2B (sold separately)
- Quick-connect display attachment

Maximum pole capacity	50kg (110lb)*
Display size	24" to 46"
Height adjustment	
TH-1040-CTS Short	400 - 900mm (15.7-35.4")
TH-1040-CTL Long	900 - 1800mm (35.4-70.9")
Tilt adjustment	+/-20°
Pan adjustment	+/-20°
Rotation adjustment	+/-90°
Number of monitors	1-4
Primary materials	Steel, engineering polymers
VESA mounting	75x75 100x100 200x100 200x200

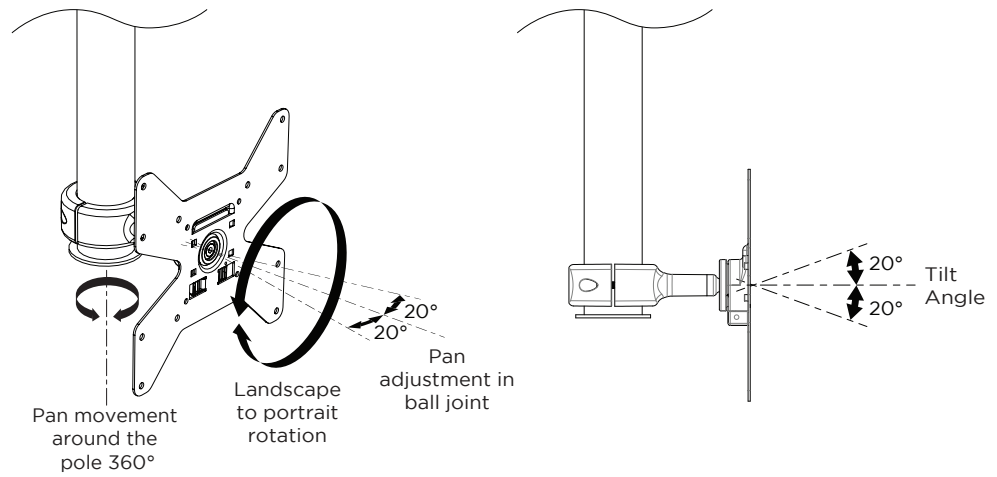
*Monitor weight should be within the weight range of all modular elements that make up the complete monitor mounting solution.

*Curved monitors, deep devices (such as all-in-one PCs) and offset VESA locations exert additional leverage that can exceed the capacity of the mount even though the monitor weight may be within the stated range. Please contact Atdec if you would like further information.

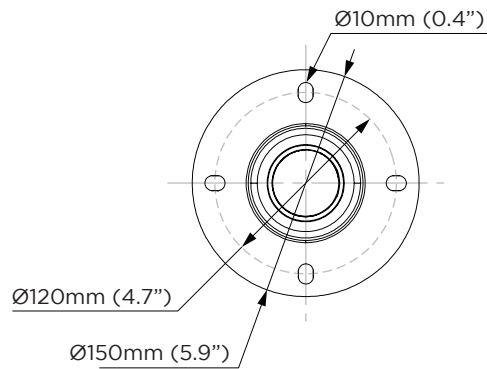
WARRANTY

10 years limited

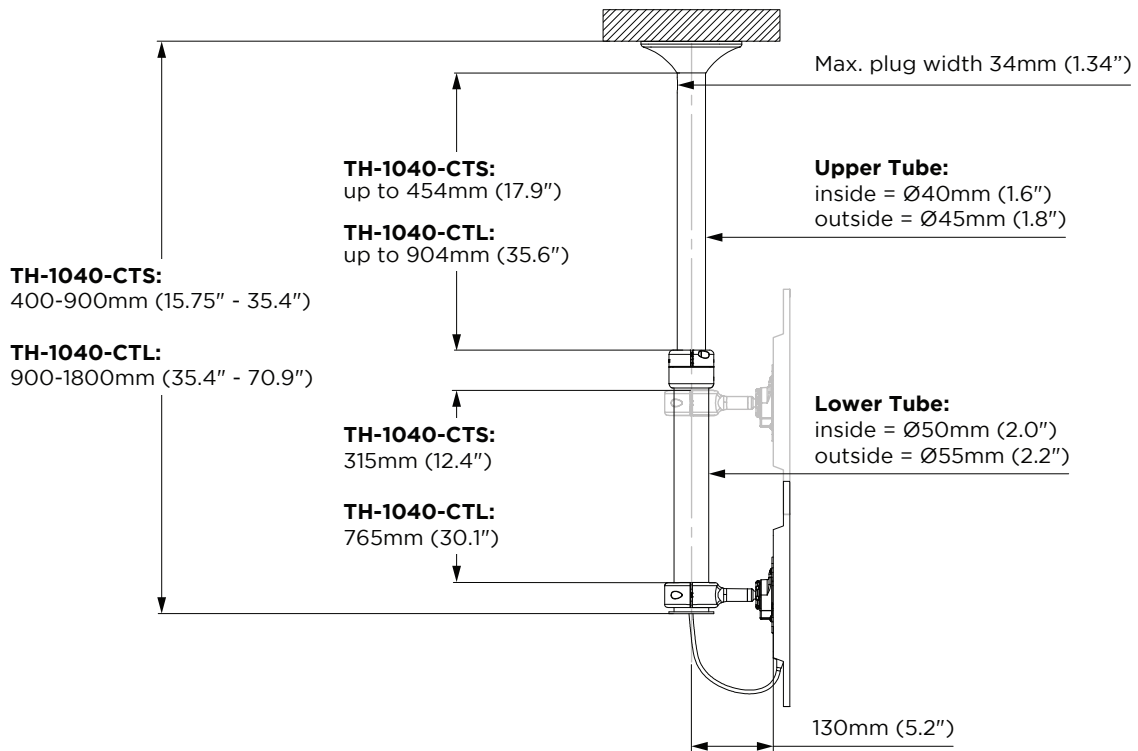
MOVEMENT



DIMENSIONS



Top View of Ceiling Plate



Front View

1040 Ceiling Tilt Accessories

DIMENSIONS - ACCESSORIES

