

General Features

Maximum Display Weight:

50kg (110lbs) max.

Maximum Glass Shelf Weight:

8kg (17.6lbs) max.

Electrical Ratings:

Input Ratings - 220-240 Vac, 50 Hz, 96VA

Output Ratings - 28 Vdc, 1.2A

Screen Height Range (measured at center of display)

Mini. 1000mm (39.3") to max. 1450mm (57")

(controlled by either RF and wired remote supplied)

Screen Mounting Compatibility:

From 200mm to 800mm wide x 200mm to 450mm high

Tilt Adjustment Range: (shown below)

Forward +10°

Backward - 0°

Tilt Adjustment Range:

Forward +10°

Backward - 0°

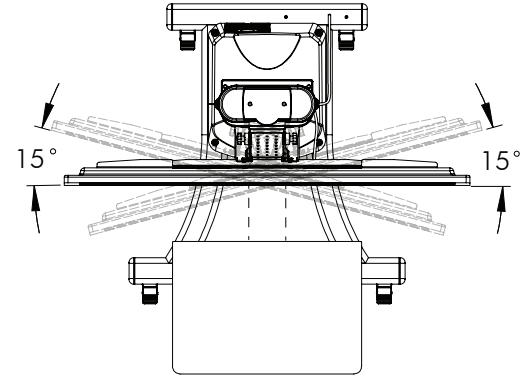
Pan Adjustment Range: (shown below)

Right 15°

Left 15°

Color:

Charcoal Grey/Black



Dimensions

