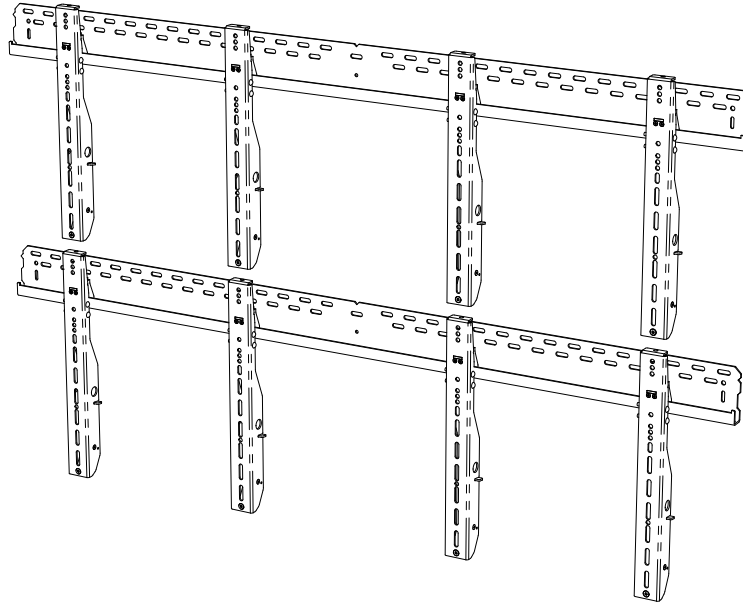









TH Universal Video Wall Mount

- TH-VWP-050
- TH-VWP-080
- TH-VWP-100
- TH-VWP-160
- TH-VWV
- TH-VWVP



Illustrated Solution is a video wall assembled using TH-VW components.

The TH Universal Video Wall Mount is a modular system. Components can be configured to accommodate different sizes, quantities, and orientations of displays.

<p>COMPONENT CHECKLIST</p> <p>A TH-VWP-050 Wall Plate 50cm (19-5/8")</p> <p>B TH-VWP-080 Wall Plate 80cm (31-1/2")</p> <p>C TH-VWP-100 Wall Plate 100cm (39-3/8")</p> <p>D TH-VWP-160 Wall Plate 160cm (63")</p>	<p>Note:</p> <ul style="list-style-type: none"> ! Wall Plate mounting fasteners are NOT supplied with Wall Plates ! Professional installer to ensure correct mounting fastener type, location & quantity to suit structure where Video Wall is installed ! Wall plate to be fixed to wall with a minimum of 3x appropriate load bearing fasteners per Wall Plate and minimum of 2x appropriate load bearing fasteners per Display ! Washers must be used when securing Wall Plate/s ! Example of Wall Plate mounting fasteners: <div style="display: flex; justify-content: space-around; align-items: center;"> <div style="text-align: center;">  8mm Coach Screw/ DynaBolt™/ChemSet™ </div> <div style="text-align: center;">  Nylon Anchor </div> <div style="text-align: center;">  M8 Washer </div> </div>	<div style="text-align: right; font-size: 2em; font-weight: bold; margin-bottom: 10px;">Wall</div> <div style="border: 1px solid black; width: 20px; height: 20px; display: inline-block; margin-bottom: 10px;"></div> <p>REQUIRED TOOLS</p> <ul style="list-style-type: none"> • Power Drill • Suitable Drill Bit • Fasteners for Wall Plate attachment • Driver for chosen Wall Plate fasteners • Phillips Head Screwdriver • Spirit Level • Tape Measure • Stud finder
<p>E TH-VWV Bracket (x2)</p> <p>F TH-VWVP Bracket (x2)</p>	<p>Bracket Hardware (Supplied with TH-VWV and TH-VWVP)</p> <div style="display: flex; justify-content: space-around; align-items: center;"> <div style="text-align: center;">  G Phillip Head Screw M6 x 16/30/45/60mm (x4) </div> <div style="text-align: center;">  H M6 Washer (x4) </div> <div style="text-align: center;">  I Security Screw M8 x 16/30/50/65mm (x4) </div> <div style="text-align: center;">  J Spacer (x8) </div> </div>	<p>WEIGHT RANGE</p> <p>Per Wall Plate* 0 - 165kg (0 - 363lb)</p> <p>Per Bracket Pair 0 - 165kg (0 - 363lb)</p> <p><small>* Wall Plate only achieves maximum weight rating when appropriately fastened to a wall of adequate structural capacity</small></p>

IMPORTANT INFORMATION

! Please ensure this product is installed as per these installation instructions.

! The manufacturer accepts no responsibility for incorrect installation.

! Failure to mount this product correctly may cause serious injury/death during or following installation.

! This product should only be installed by professional installers of good mechanical aptitude, who have experience with basic building construction, and fully understand these instructions and the consequences of incorrect installation.

! Two person installation is recommended.

! Use mechanical lifting equipment for safe lifting and positioning of equipment where appropriate to ensure careful installation - AV equipment is fragile and can be heavy.

! Some walls are not suitable for Video Wall installation - check load capacity of wall prior to installation. Failure to provide adequate structural strength for this product can result in serious injury to persons or damage to equipment. It is the professional installer's responsibility to ensure suitable structural capacity of wall (including appropriate safety factor) to support total weight of all equipment being mounted. Reinforce the wall structure and consult a structural engineer where required.

! Drilling into electrical wires can cause death - use appropriate equipment and caution when drilling holes in walls to avoid electrical cables, water pipes and gas pipes. Do not drill into structures unless you have established it's safe to do so.

! Ensure that the Video Wall is installed out of reach of public.

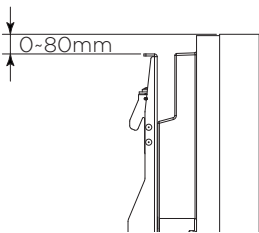
! Product not suitable for use outdoors.

! Do not use this product for mobile applications.

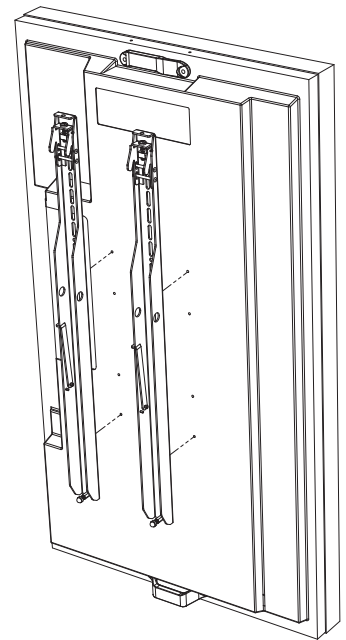
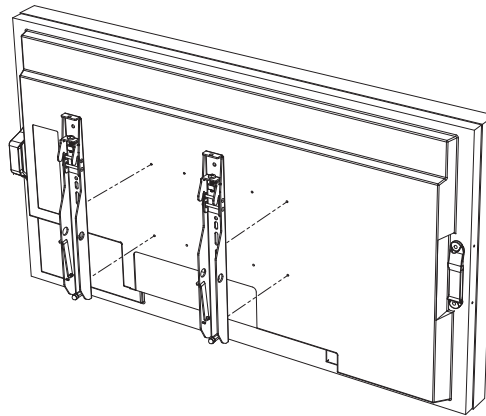
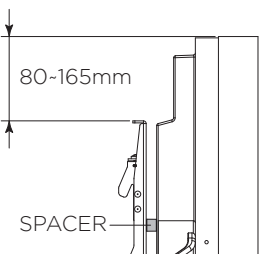
! After installation is complete check to verify that Video Wall is secure and safe for use.

1. Mount Brackets to screen

OPTION A If the distance between the top of the display & mounting bracket is 80mm or less, mount directly onto the screen.



OPTION B If the distance between the top of the display & mounting bracket is between 80 and 165mm, mount using spacers included.



NOTE

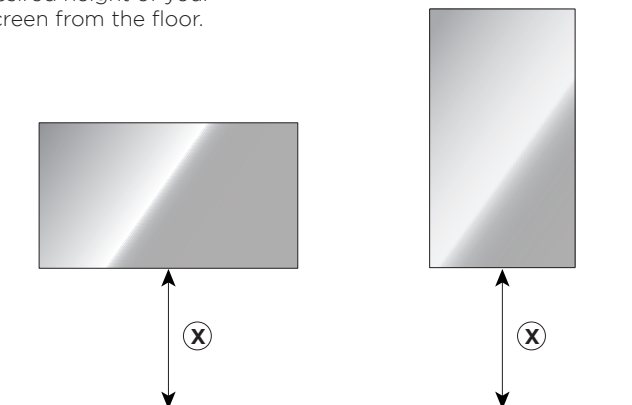
To function correctly, top of the Bracket must be mounted as close to the top of the screen as possible - but Bracket **must not** be higher than the top of the screen.

These considerations are to allow angle necessary to install displays.

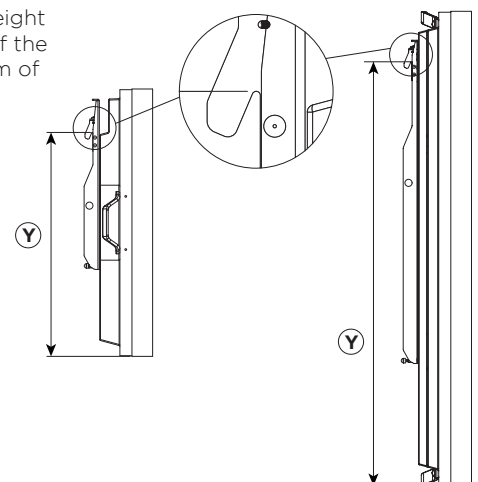
When mounting multiple screens the Brackets must be mounted in exactly the same position each time to ensure alignment.

2. Mount first Wall Plate

2.1 Determine the desired height of your screen from the floor.



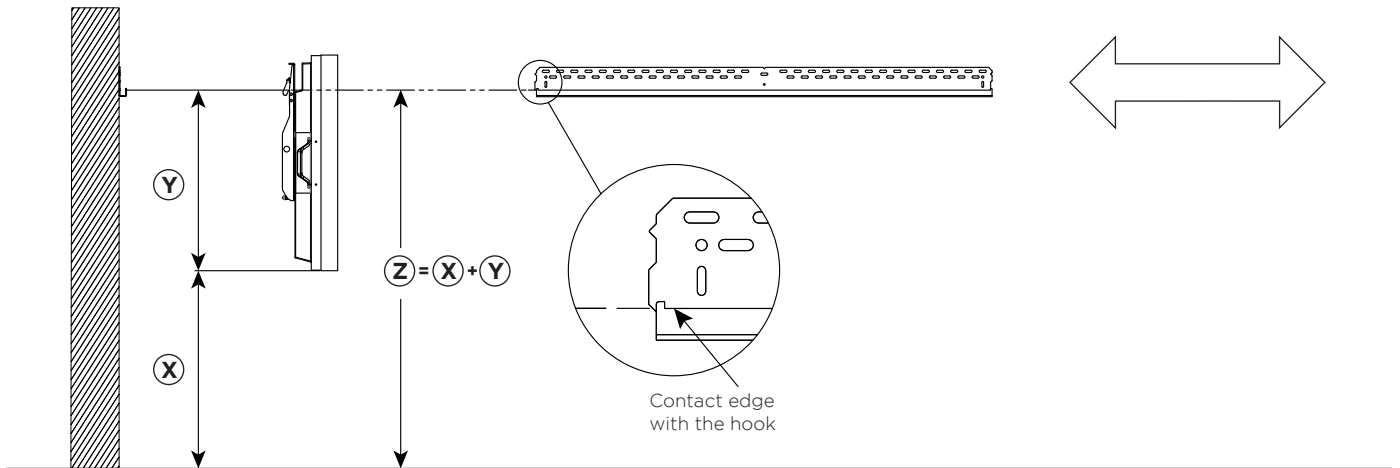
2.2 Measure the height between the top of the hook to the bottom of the screen.



2.3 STEP A Combine both heights to find the height of the contact edge of the Wall Plate & mark this on the wall.

STEP B Position your Wall Plate, aligning the contact edge to your mark.

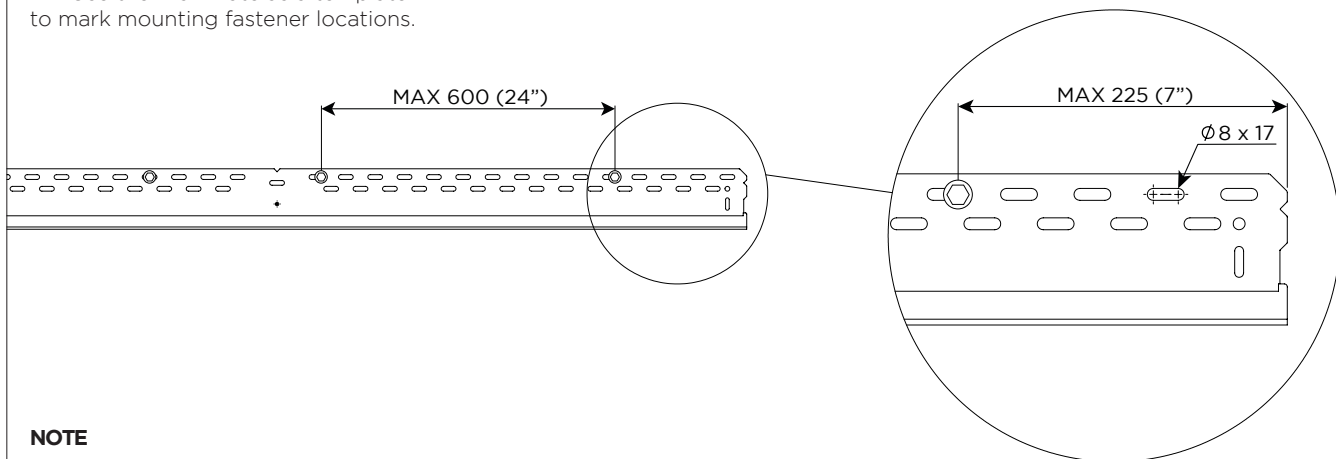
STEP C Consider lateral location based on display positions, length and quantity of Wall Plates.



IMPORTANT INFORMATION

- ! Drilling into electrical wires can cause death - use appropriate equipment and caution when drilling holes in walls to avoid electrical cables, water pipes and gas pipes. Do not drill into structures unless you have established it's safe to do so.
- ! Choice and supply of appropriate Wall Plate mounting fasteners is the responsibility of the installer. Consult a structural engineer where required.
- ! Wall Plate mounting fasteners are to be used as per manufacturers' instructions, including hole diameter and minimum engagement to achieve necessary performance.
- ! On Stud Wall/Drywall use a good quality Stud Finder to position mounting fasteners in the centre of studs.
- ! On Masonry wall avoid positioning Wall Plate mounting fasteners in a mortar joint.

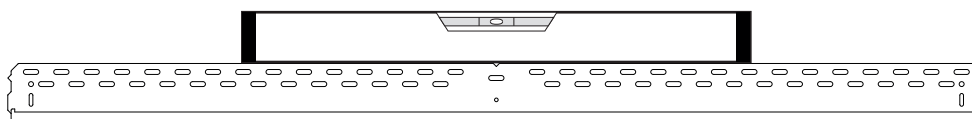
2.4 Use the Wall Plate as a template to mark mounting fastener locations.



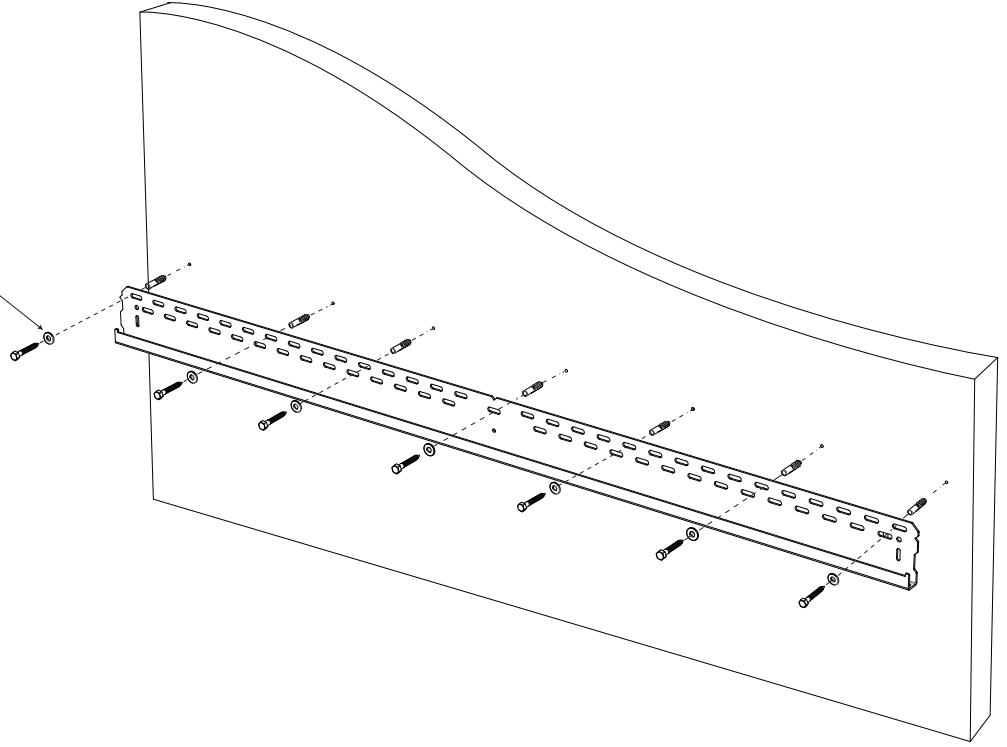
NOTE

- Wall Plate mounting fasteners into load bearing structure to be a MAXIMUM of 600mm (24") apart
- Wall Plate mounting fasteners into load bearing structure to be a MAXIMUM of 225mm (7") from end of Wall Plate
- Wall Plate to be fixed to wall with a minimum of 3x appropriate load bearing fasteners per Wall Plate and minimum of 2x appropriate load bearing fasteners per Display
- Attach Wall Plate mounting fasteners evenly and regularly along length/s of Wall Plate/s.

Please use a **Spirit Level** during installation to ensure that the Wall Plate is **LEVEL**



Don't forget to choose and use appropriate **Washers!**



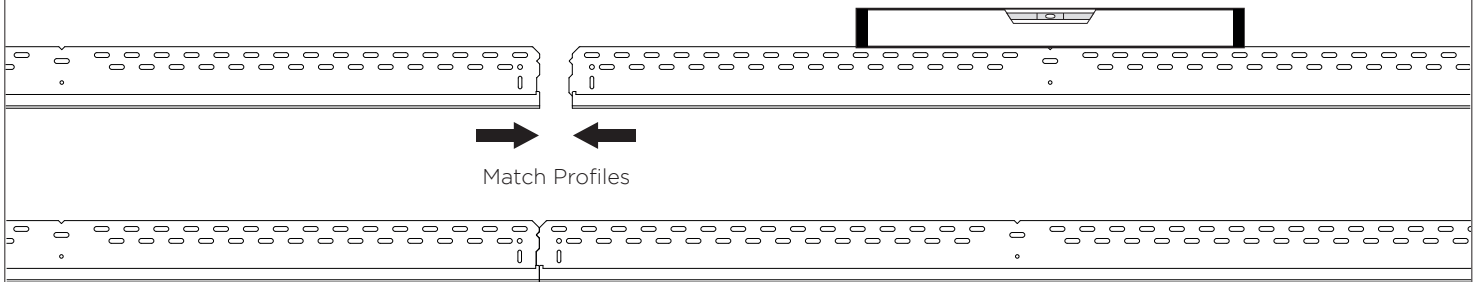
TIP: Use Wall Plate as a drilling template.

IMPORTANT! Any structural elements must be capable of supporting the combined weight of all the equipment and devices being mounted. If in doubt, consult a structural engineer.

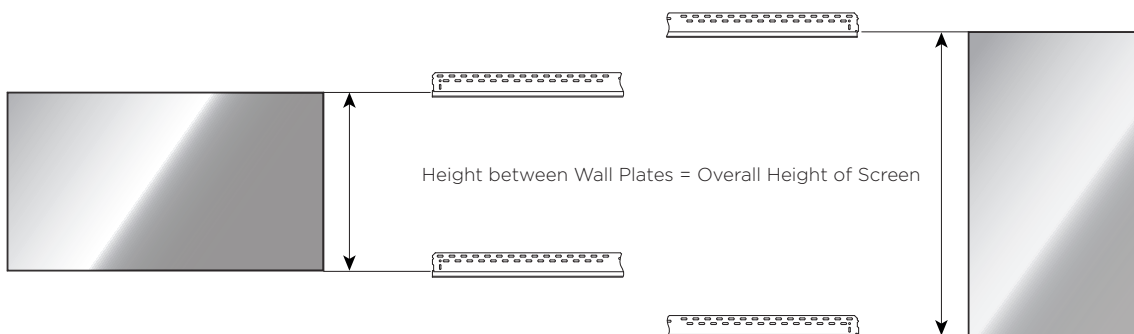
3. Mount remaining Wall Plates as applicable

3.1 Refer to Step 2.4 to install adjoining Wall Plates.

Please use a **Spirit Level** during installation to ensure that the Wall Plates are **LEVEL**



3.2 To find the next row height:

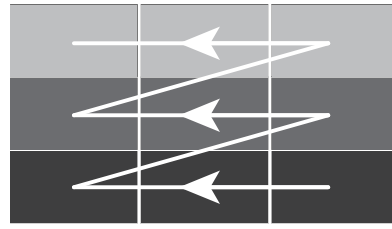
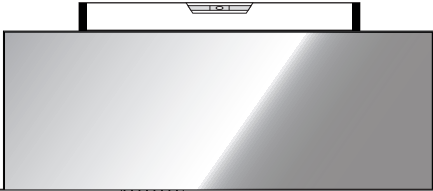


4. Mount Screens

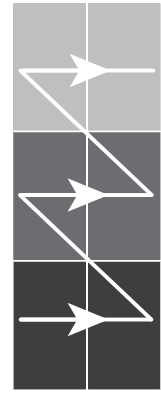
4.1 Install the screens row by row, starting at the bottom. Ensure each row of screens is level before moving on to the next row.

Installation may start from left or right.

Please use a **Spirit Level** during installation to ensure that the screens are **LEVEL**

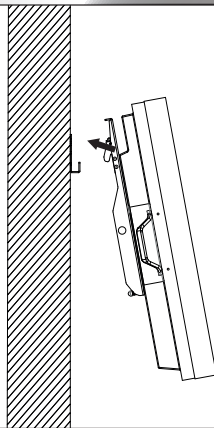


Screen shown in Landscape orientation

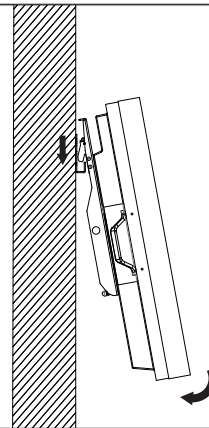


Screen shown in Portrait orientation

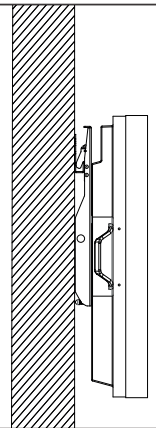
4.2 Hang screen



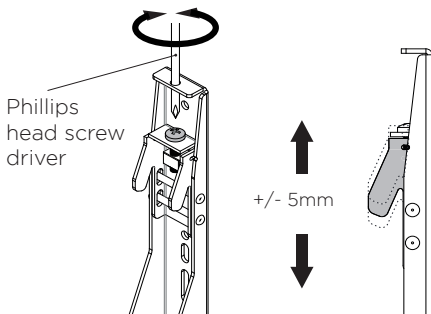
Angle the screen as shown and position so the hook is above the bracket.



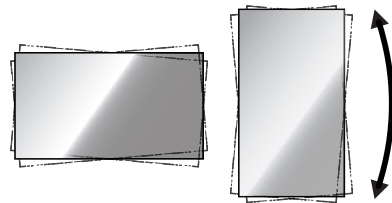
Lower the hook onto the bracket to engage, and gently lower the screen.



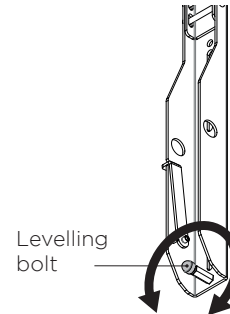
4.3 Screen levelling



Level the screen by adjusting the screw at the top of each mounting bracket. Use a spirit level to ensure screen is level.



4.4 Wall levelling

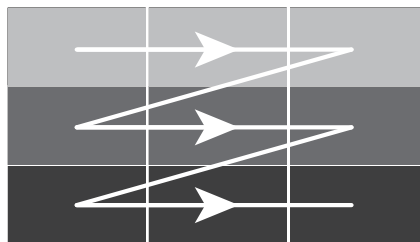


To adjust for uneven walls, screw the levelling bolt in or out to match each display position.

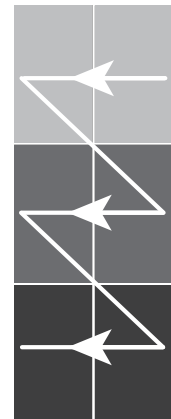
5. Cabling

5.1 Cabling sequence

Tilt up each row, starting at the top, leaving each screen out until all cabling is finished. You may start from the left or right.

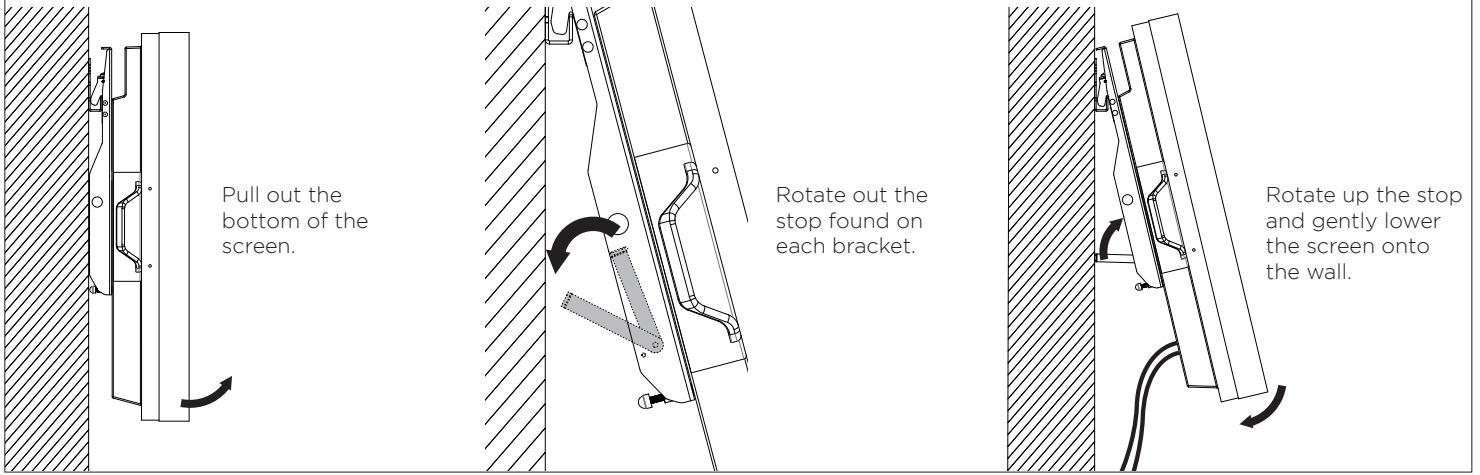


Screen shown in Landscape orientation



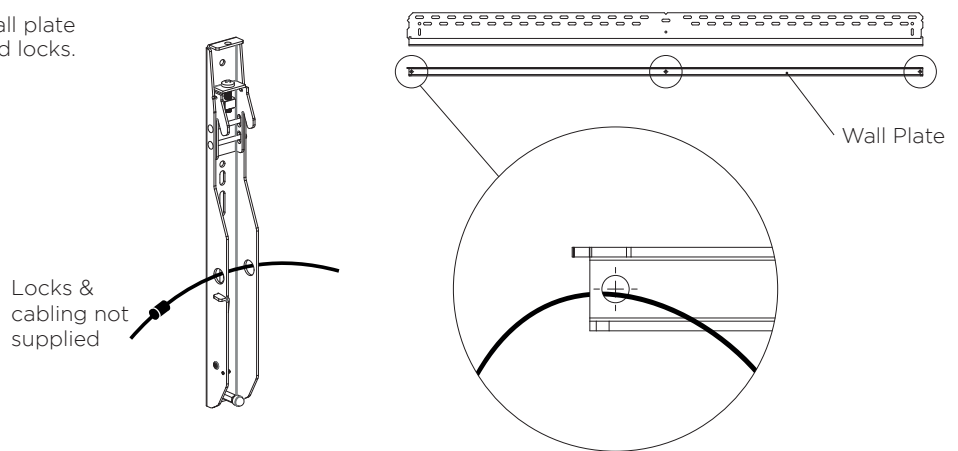
Screen shown in Portrait orientation

5.2 To gain access for cabling:



6. Security (optional)

The holes shown in the bracket and wall plate can accommodate security cabling and locks.



7. Screen Removal

To remove screen X for repair or replacement, tilt up the numbered screens in sequence, then pull out and lift off screen X.

