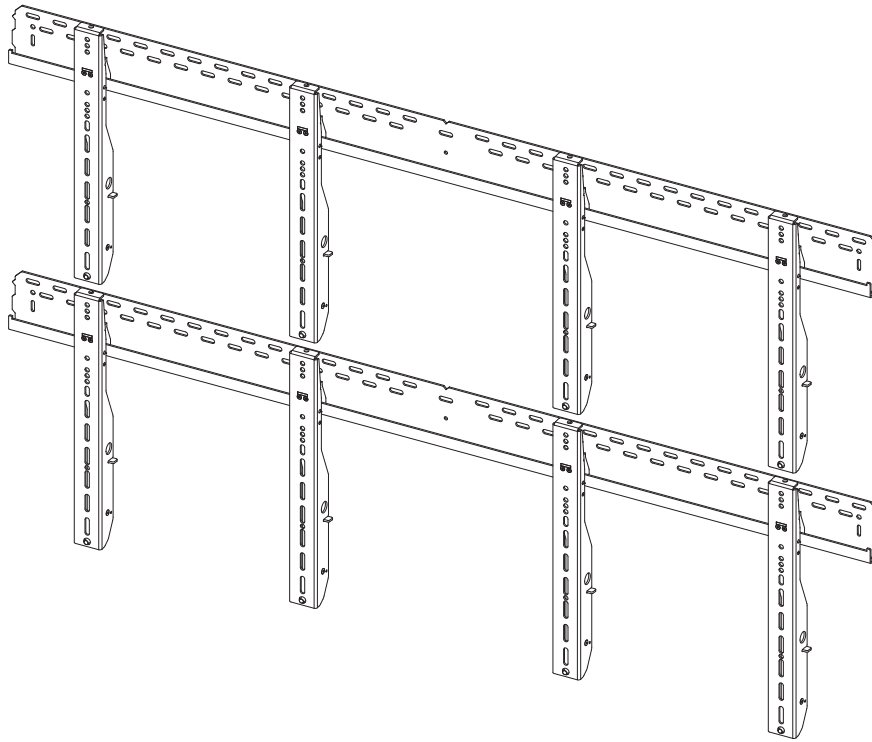


TH Universal Video Wall Mount

TH-VWP-050
TH-VWP-080
TH-VWP-100
TH-VWP-160
TH-VWV
TH-VWVP



FEATURES

- This modular, scalable system can be configured to accommodate different sizes, quantities and orientations of displays.
- Interconnecting Wall Plates for easy alignment.
- Allows for post-installation display levelling with independent vertical adjustment of each display bracket.
- Simple hook-on display installation.
- Vertical and horizontal display alignment adjustment.
- Built in support stand for display cabling and maintenance.
- Security fixing points for optional locking of displays.

Display weight

Per Wall Plate 0 - 165kg (0 - 363lb)*

Per Bracket Pair 0 - 165kg (0 - 363lb)**

Vertical adjustment

+/- 5mm

VESA mounting

Horizontal 200 - Unlimited

Vertical TH-VWV 200 - 400

Vertical TH-VWVP 200 - 800

Primary material

Steel

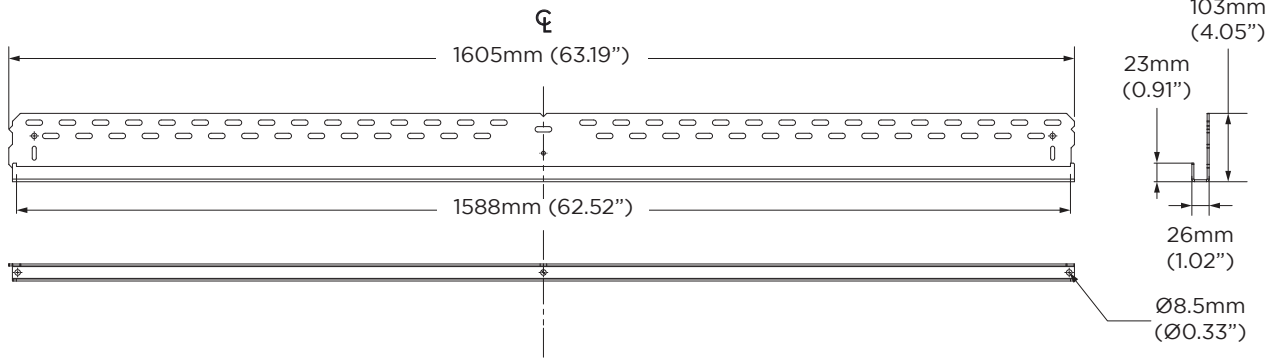
*Wall Plate only achieves maximum weight rating when appropriately fastened to a wall of adequate structural capacity.

**Curved monitors, deep devices (such as all-in-one PCs), VESA mounted accessories (such as mini PC brackets and mounts), and offset VESA locations exert additional leverage that can exceed the capacity of the mount even though the monitor weight may be within the stated range. Please contact Atdec if you would like further information.

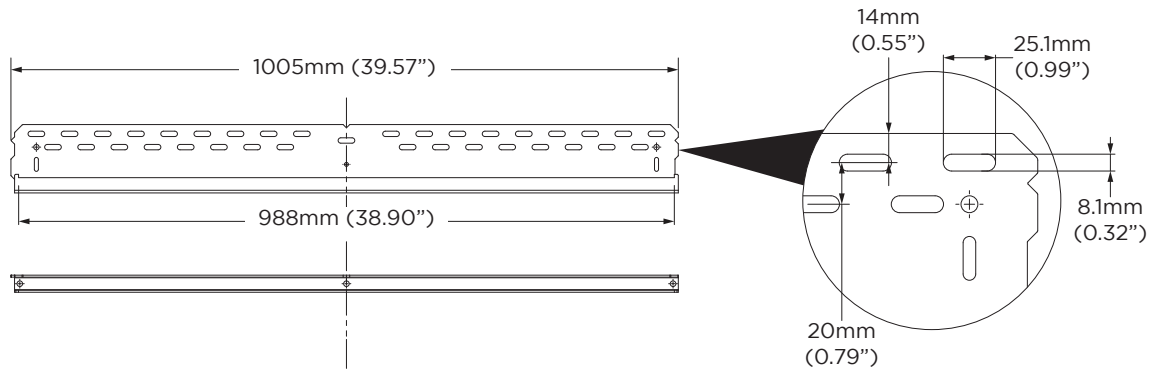
WARRANTY

10 years limited

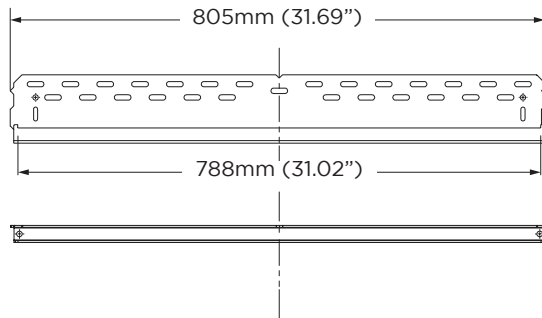
TH-VWP-160



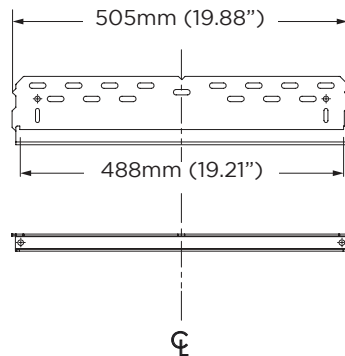
TH-VWP-100



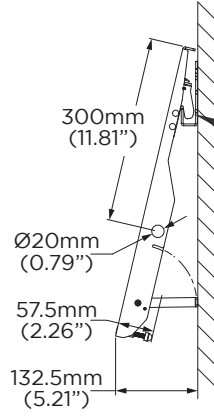
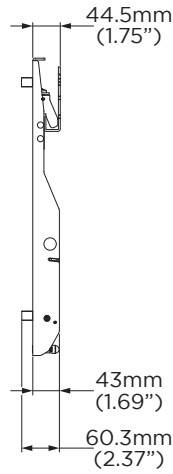
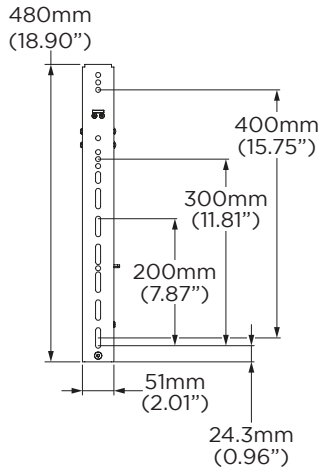
TH-VWP-080



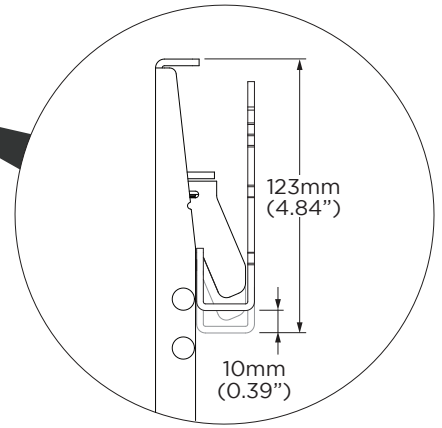
TH-VWP-050



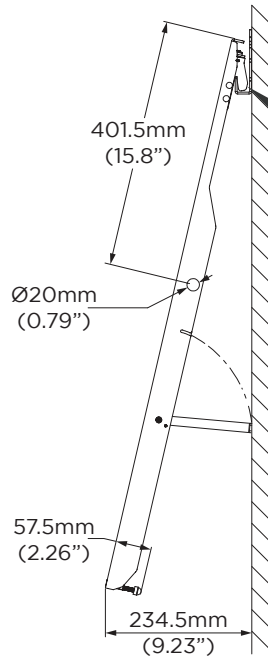
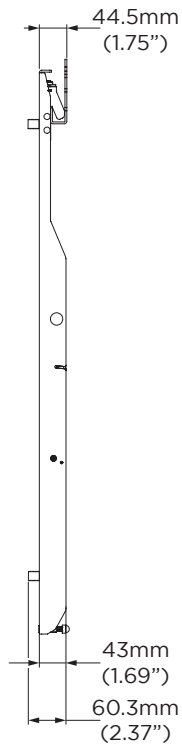
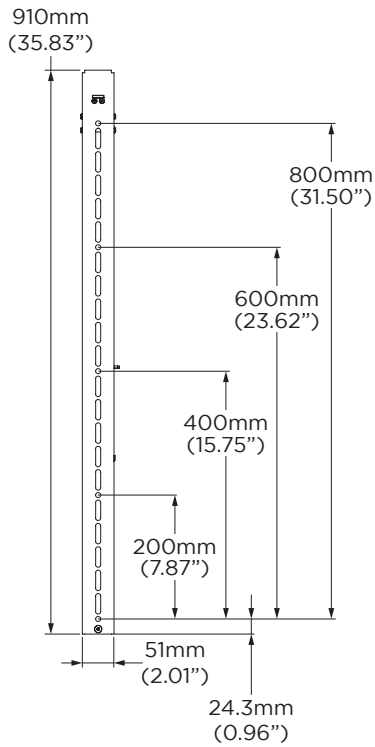
TH-VWV



Vertical Adjustment



TH-VWVP



Vertical Adjustment

