

Hex monitor setups

AWMS-6-13714 & AWMS-6-46275

Data rich applications demand a lot of monitor space. Six monitors are a preferred option to arrange different applications and windows, particularly where more than one PC is used.

Modular hex monitor desk mounts

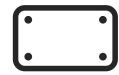
Up to 32" monitors

Modular flexibility to meet your requirements & monitor preference

- Single post for monitors to 27"
- Dual post for monitors to 32"

Smooth fingertip adjustments

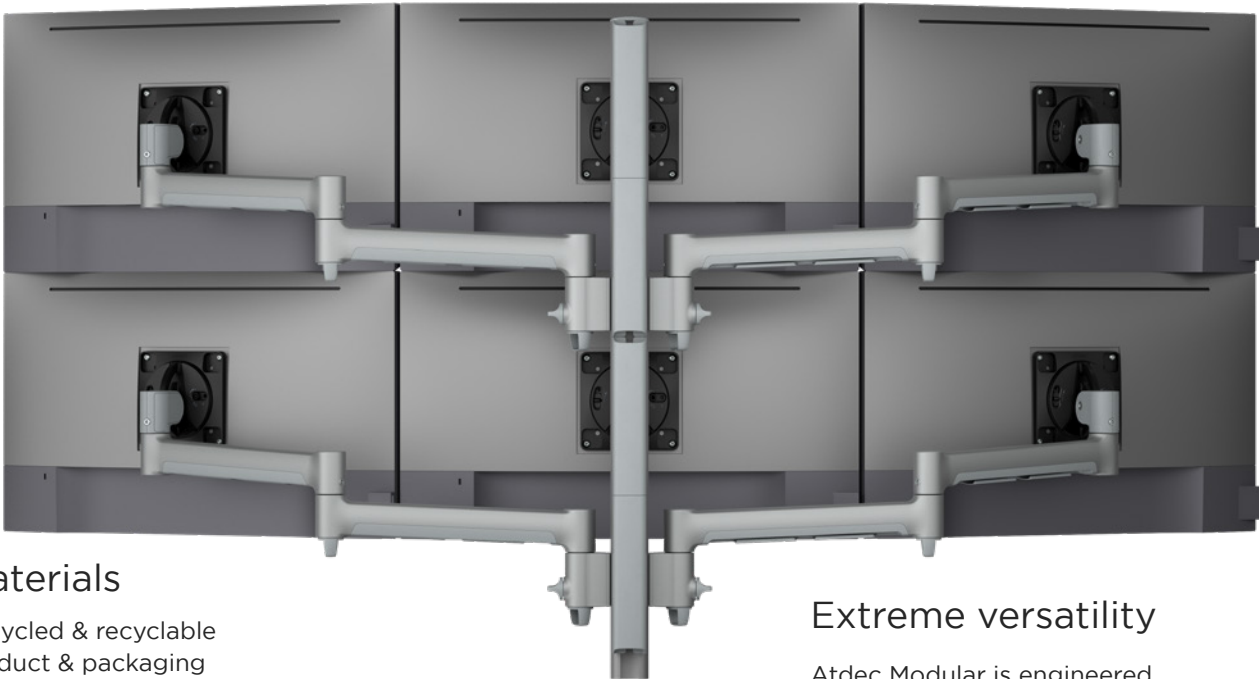
At all articulation points & VESA heads



75x75
100x100



9kg (20lb)
FLAT & CURVED*
* minimum capacity; detail on next page



Materials

Recycled & recyclable product & packaging

Available in silver, black, or white



Extreme versatility

Atdec Modular is engineered for infinite possibilities; see dual post solution on next page

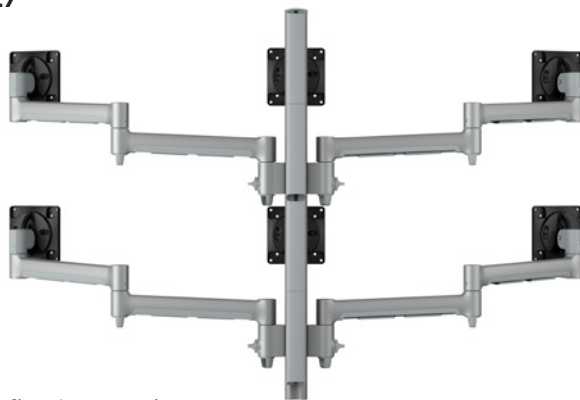
10 Year Warranty

Modular hex monitor desk mounts



Single post solution AWMS-6-13714

Monitors up to 27"



Arm capacities

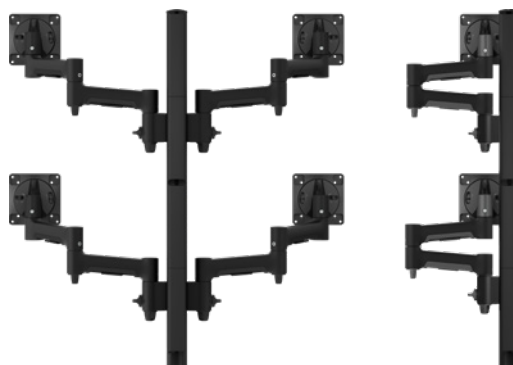
Side: 9kg (20lb) flat & curved

Middle: 12kg (26.4lb) flat & 10kg (22lb) curved

[SEE AWMS-6-13714 ONLINE](#)

Dual post solution AWMS-6-46275

Monitors up to 32"



Arm capacities

All: 12kg (26.4lb) flat & 10kg (22lb) curved

[SEE AWMS-6-46275 ONLINE](#)

Ordering guide

AWMS-6-13714 consists of:

4 x AWM-A71T long swing arms

2 x AWM-A13T short swing arms

1 x AWM-P75G tall post

AWMS-6-46275 consists of:

6 x AWM-A46T medium swing arms

2 x AWM-P75G tall posts

Recommended desk fixings:

AWM-FH heavy duty F-clamp

AC-GC grommet clamp

AWM components are typically available in black, white, and silver. Nominate your selection with the addition of -B (black), -W (white), or -S (silver) at the end of the main code.



Atdec Uncover™ is where our infinite mounting possibilities become your specific mounting solutions.



Call us to discuss your next project