

ATDEC Infinite Mounting Possibilities

Flat screen wall mount | fixed **TH-1026-VF**
Fits most displays from 15" to 26"



Mounting hole pattern:
75mm x 75mm
100mm x 100mm



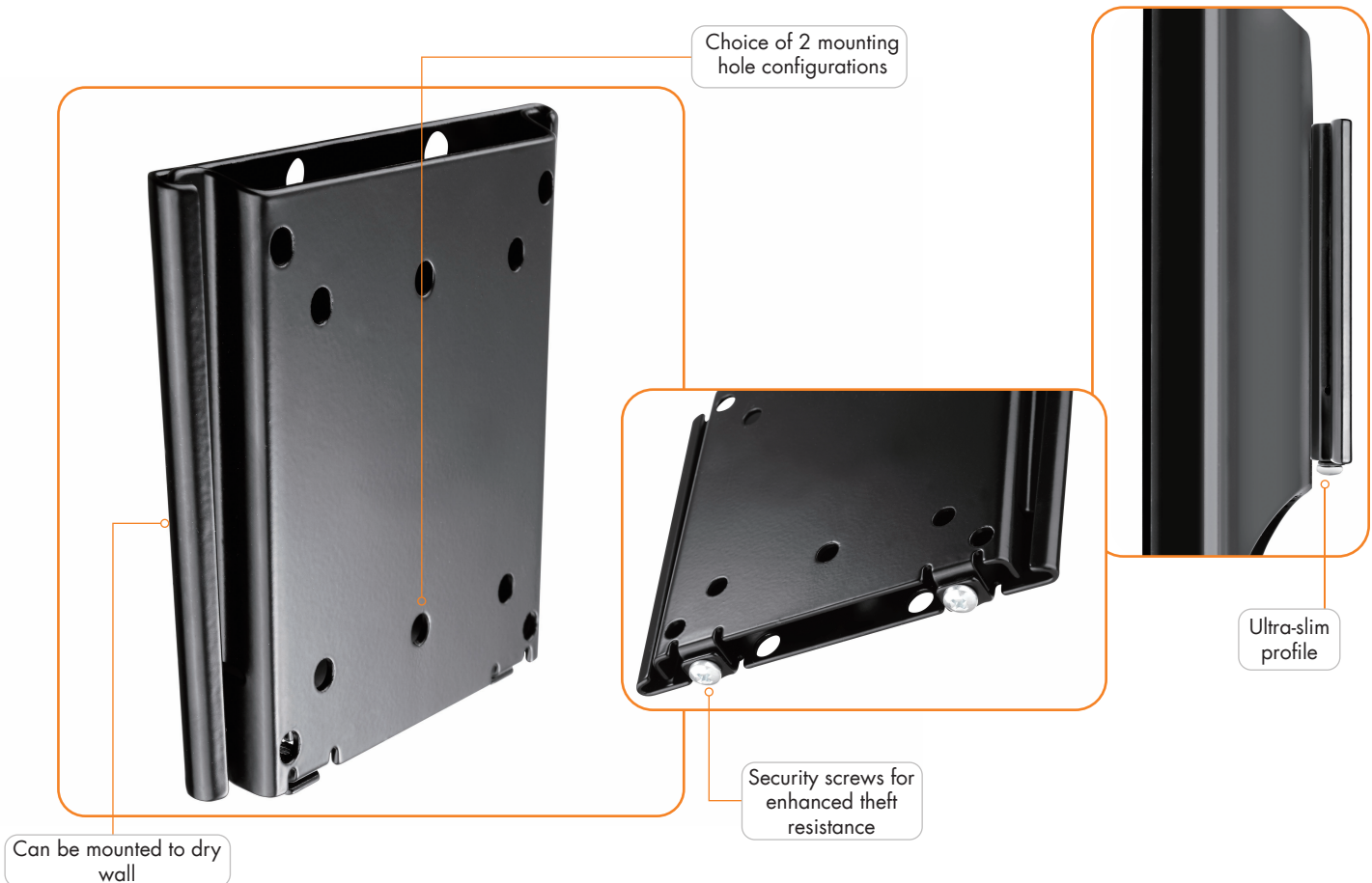
Maximum weight carrying capacity:
30kg (66lbs)

The 1026-VF provides an elegant finish that streamlines your TV screen seamlessly with the decor of the room. It securely supports flat screens weighing up to 30kg (66lbs) just 15.5mm (0.61") from the wall, offering a slim line mounting solution that's almost flush to its surroundings. This space-saving design is ideal for displays where screen movement is not required but having your screen close to the wall is critical. Installation is quick and easy and compatible with a wide variety of TVs with 75mm x 75mm or 100mm x 100mm VESA mounting hole patterns. The screen can be easily removed and changed but is still protected against theft with two security screws.



Product key features:

- Two-piece design for simple and easy installation
- Ultra-slim profile, only 15.5mm (0.61") from wall
- Can be mounted to dry wall without fixing to a wall stud
- Comes with all mounting hardware for masonry, timber stud and dry wall installation



Product information, single unit

Load capacity	Material	Color
30kg (66lbs)	Steel	Black

Package information, single unit

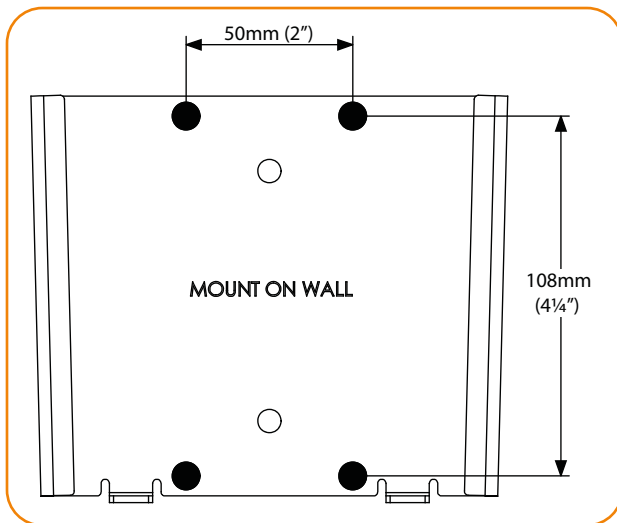
Size	Ship weight	UPC code	Contents
15.5cm x 13.8cm x 2.3cm (5.9" x 5.3" x 0.9")	0.66kg (1.3lbs)	881493004757	All hardware required for installation supplied

Package information, master pack

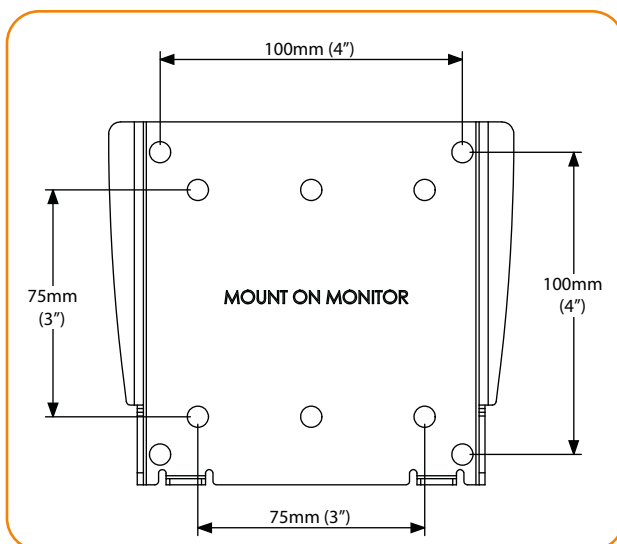
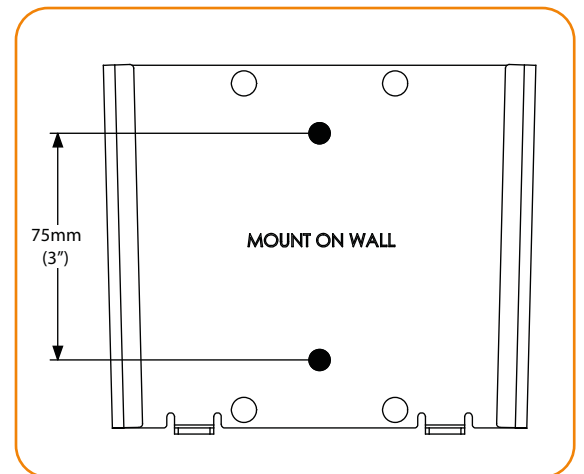
Size	Ship weight	UPC	Units per master pack
31.8cm x 18cm x 24.2cm (11.4" x 9.4" x 6.5")	13.48kg (27.7lbs)	881493004825	20

Technical drawings

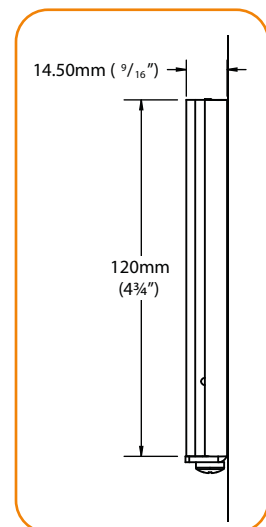
Mounting hole pattern for:
Dry Wall



Mounting hole pattern for:
Masonry Wall and Timber Stud



Display Plate



Distance from Wall (Side View)