


Ultra-slim wall mount | Fixed

TH-3060-LPF

If you want your TV screen completely flush to the wall, with seamless precision, then this is the state of the art design is for you. Any display weighing up to 65 kg (143lbs) is held just 14mm (0.55") from the wall, attached with easy click-on mounting combined with a safety spring lock. Despite being a flush wall mount, you still have the ability to easily control screen position, with multiple height and horizontal adjustment for optimal viewing enjoyment. A professional, sleek finish is guaranteed with easy installation, provided by universal VESA mounting capability up to 500mm (19.5") high and 810mm (32") wide, as well as the ability to install direct to dry wall. Easy cable access and installation is also provided, by cable access support for a clean finish.

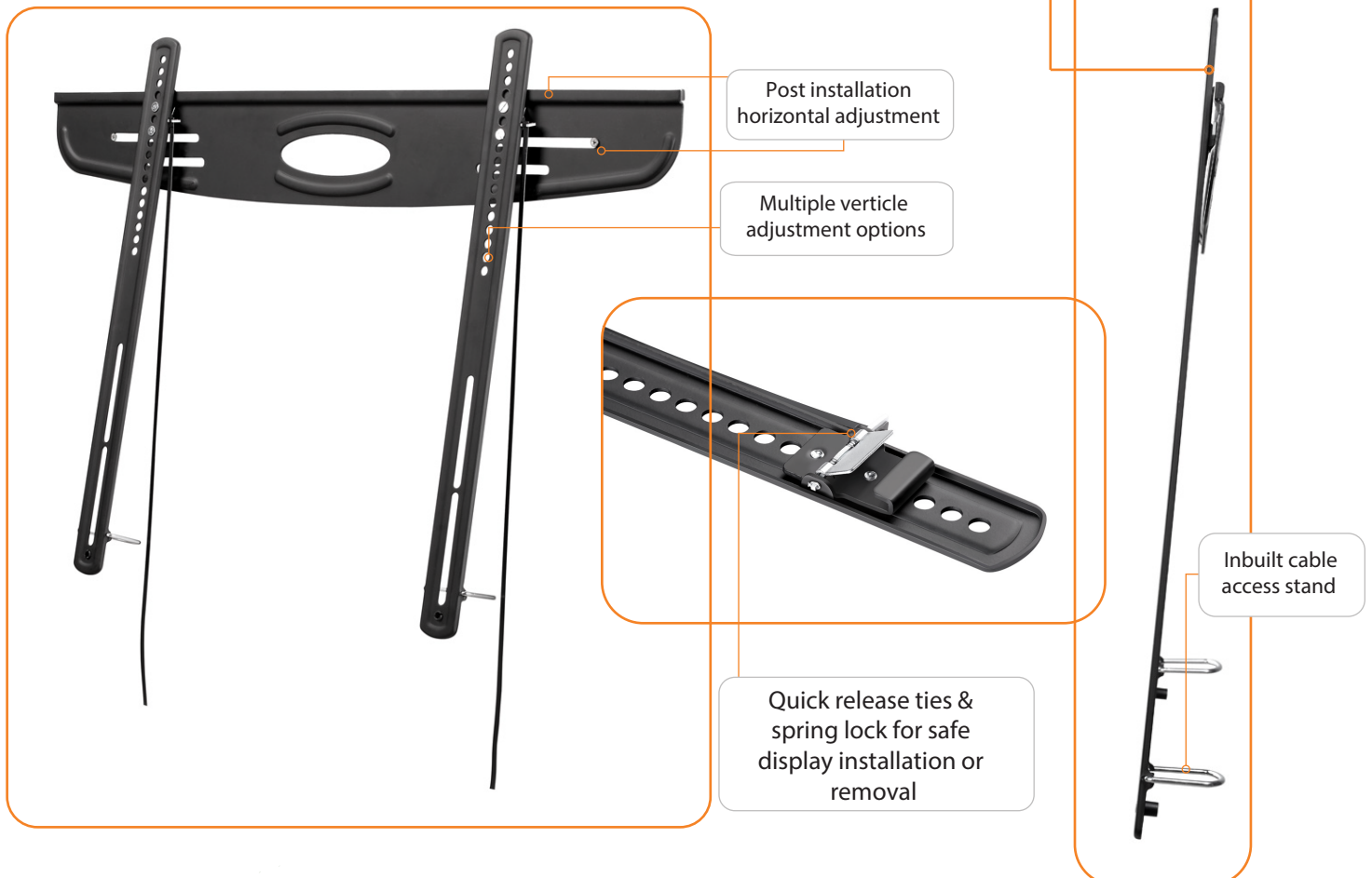
 **Mounting hole pattern:**
from 100mm to 810mm wide
from 100mm to 500mm high

 **Maximum weight carrying capacity:**
65kg (143lbs)



Product key features:

- 3 piece design for simple and easy installation
- Ultra slim profile, only 14mm (0.55") from wall
- Can be attached to either two studs or directly to dry wall
- Quick release ties and a spring lock for safe display installation and removal
- Offers multiple pre-installation vertical adjustment
- Offers pre- and post installation horizontal adjustment
- Inbuilt cable access stand
- Comes with all mounting hardware for masonry, timber stud and dry wall installation



Product information, single unit

Product Code	Load capacity	Material	Color
TH-3060-LPF	65kg (143lbs)	Steel	Black

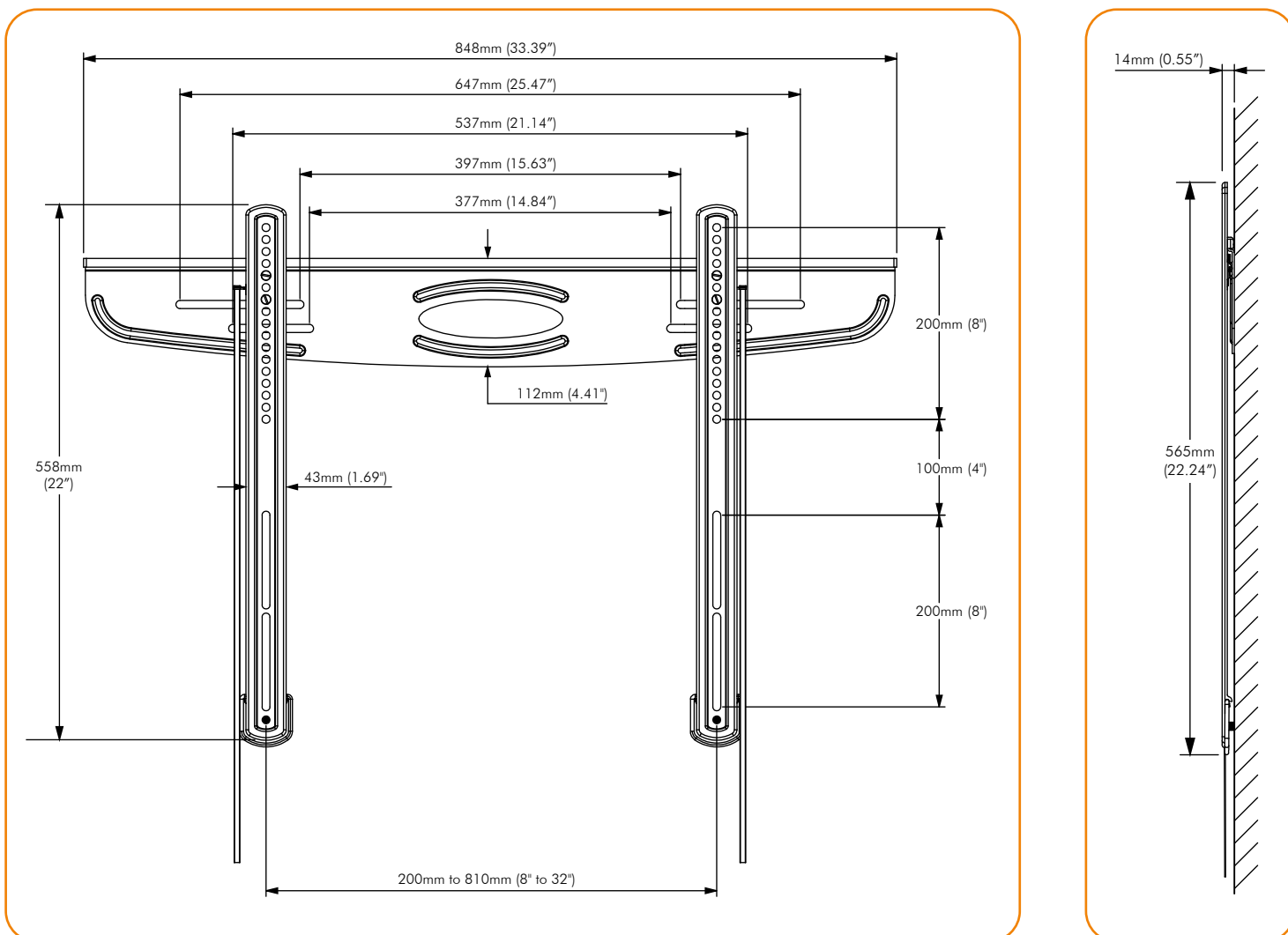
Package information, single unit

Size	Ship weight	UPC code	Contents
88cm x 21cm x 5.5cm (34.5" x 8.25" x 2.25")	3.1 kg (6.82lbs)	881493005976	All hardware required for installation supplied

Package information, master pack

Size	Ship weight	UPC	Units per master pack
89cm x 22cm x 30.5cm (35" x 8.75" x 12")	16.25kg (35.75")	881493005983	5

Technical drawings



Atdec mounts are designed, developed and tested in Australia. While all efforts have been made to ensure the information in this brochure was correct as of the date of printing, we reserve the right to change specifications without notice. Please refer to the website for our full range along with the latest details on specifications, compatibility and dealer location. Atdec and Telehook are registered trademarks with all rights reserved. Copyright April 2013.