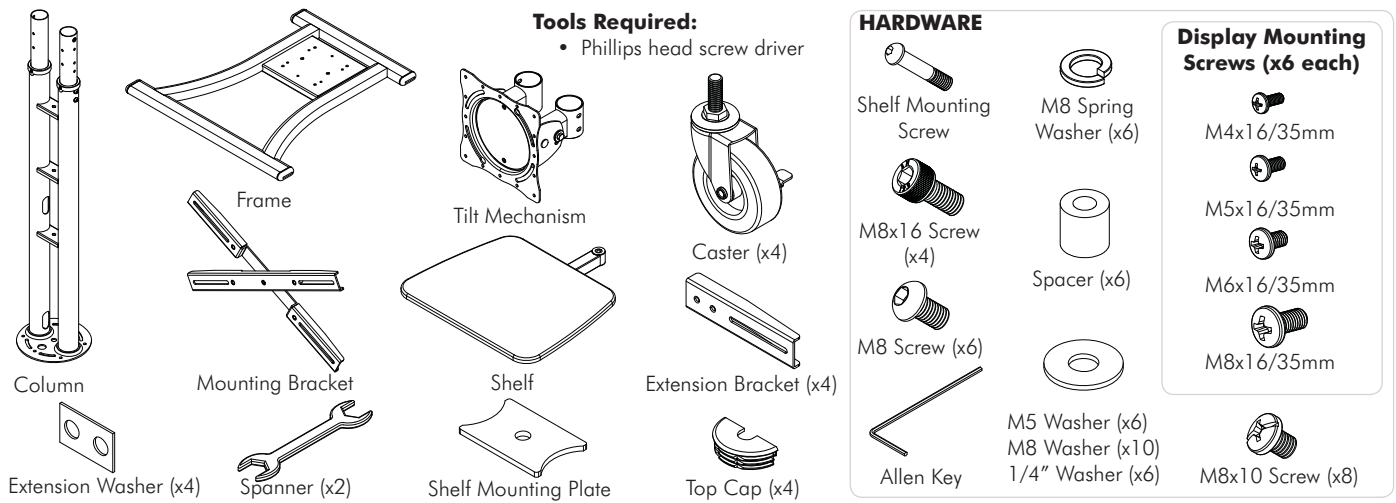


Component Checklist



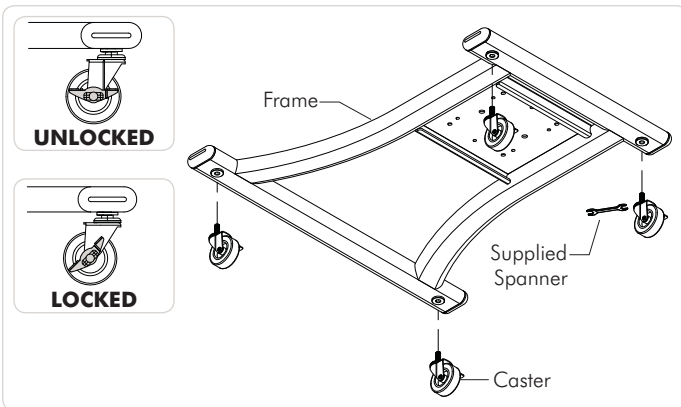
IMPORTANT INFORMATION:

- ! IMPORTANT - Install TV Cart as per installation instruction.**
- ! This product supports a maximum load of 50kg (110lbs.).
- ! This product supports VESA mounting hole configurations: From 200 x 200mm to 800 x 600mm.
- ! The manufacturer accepts no responsibility for incorrect installation.

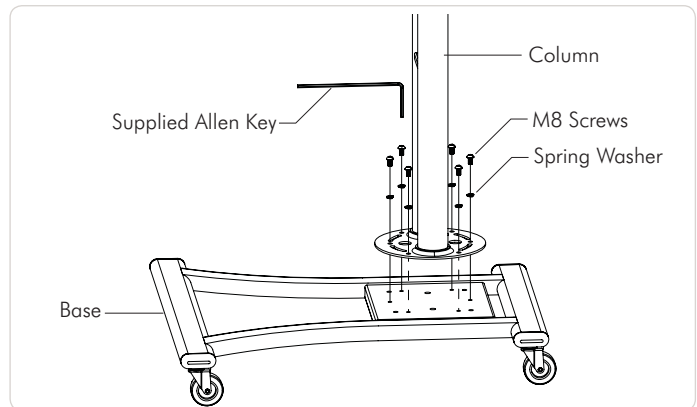
Step 1. Check Components

Check you have received against the component checklist and hardware above.

Step 2. Assemble Base

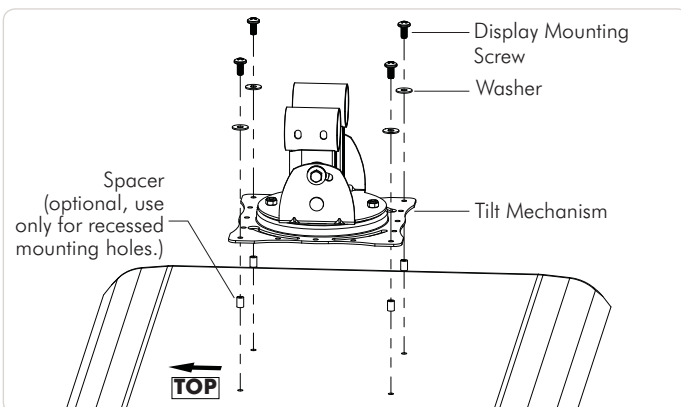


Step 3. Fasten Column to Base

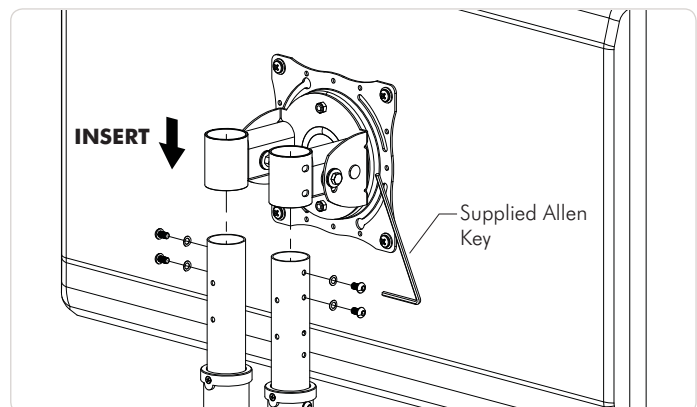


For a VESA Hole Configuration of 200x200mm ONLY go to Step 4 and skip Step 5 & 6.
For a VESA Hole Configuration of over 200x200mm skip Step 4 and go to Step 5.

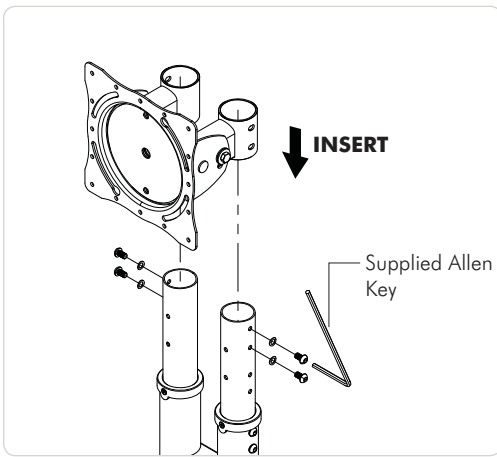
Step 4A. Attach Tilt Mechanism to Display



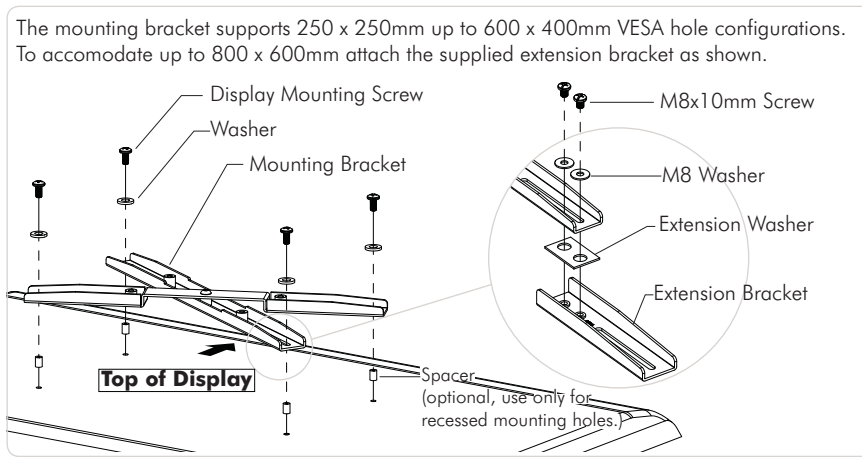
Step 4B. Insert Tilt Mechanism to Column



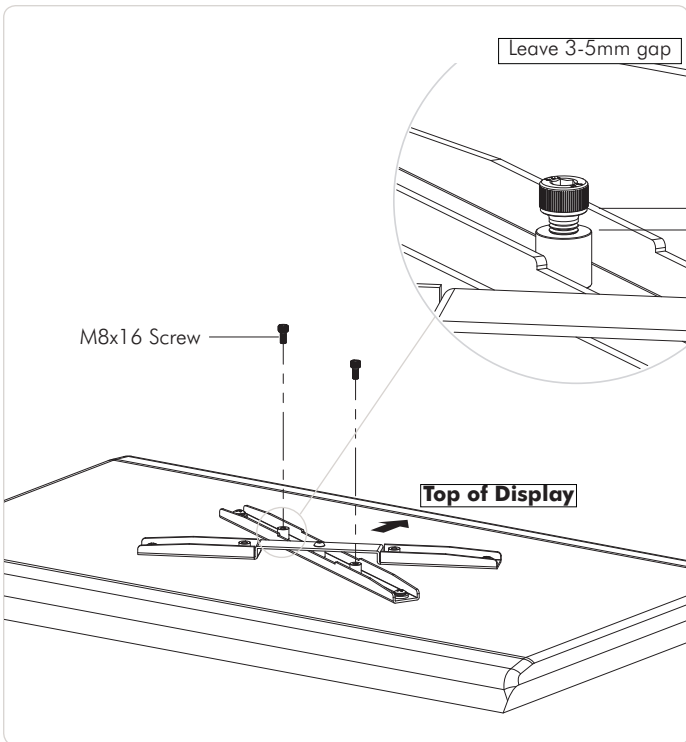
Step 5A. Insert Tilt Mechanism to Column



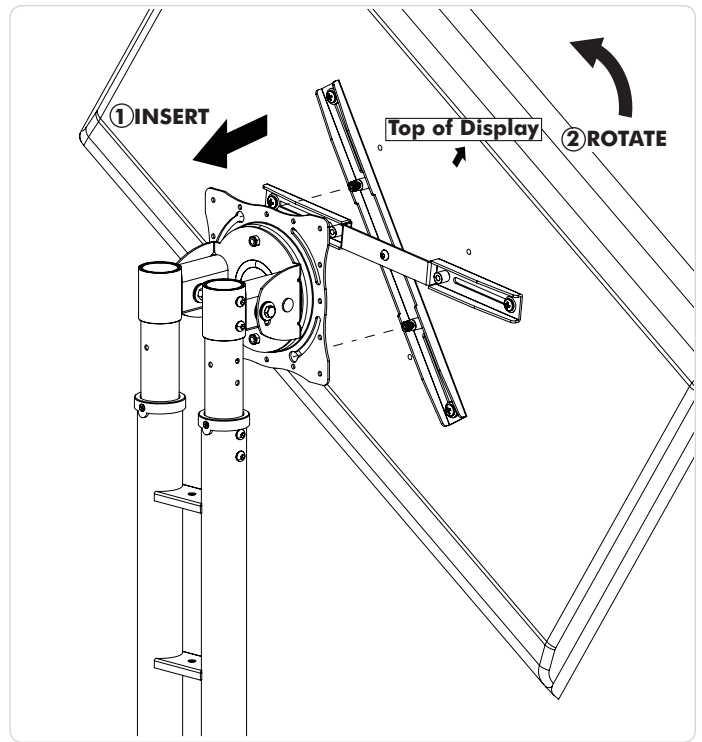
Step 5B. Attach Mounting Bracket to Display



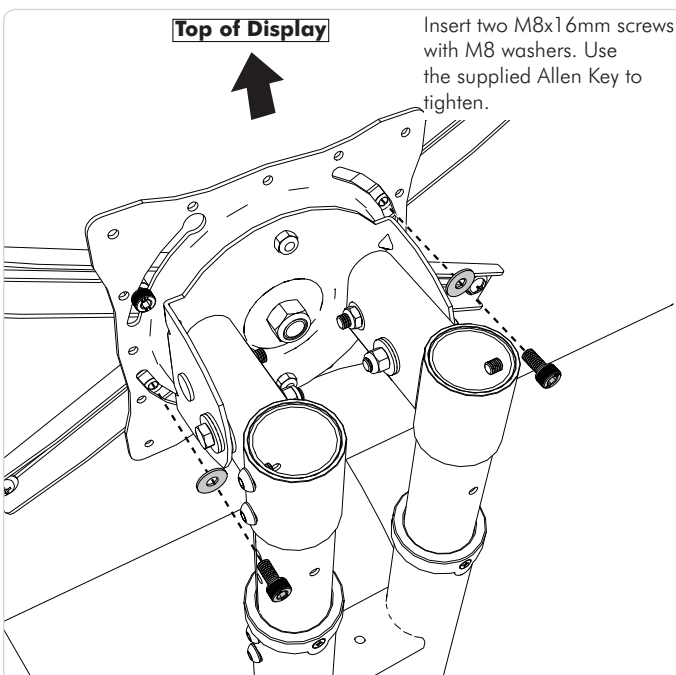
Step 6. Insert two M8x16 Screws



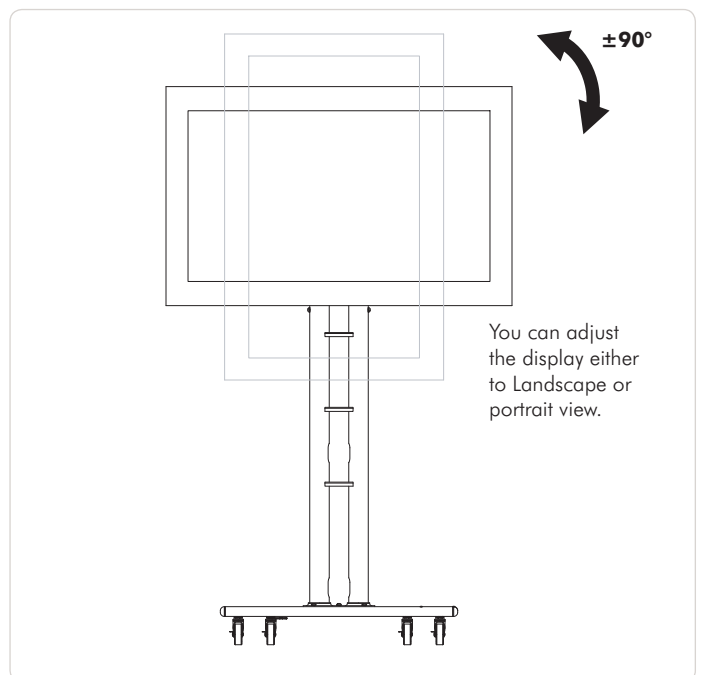
Step 7. Attach Mounting Bracket to Tilt Mechanism



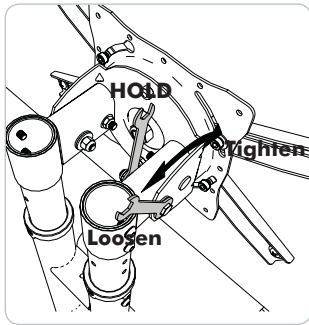
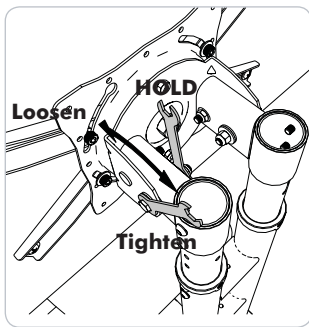
Step 8. Secure Display



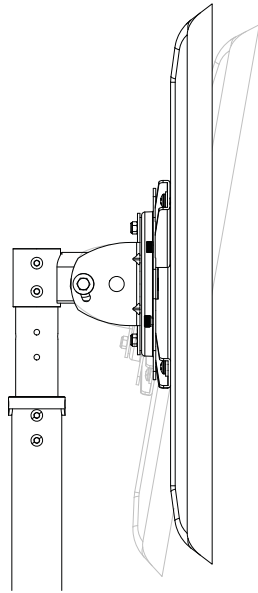
Step 9. Set to Landscape or Portrait



Step 10. Tilt Adjustment

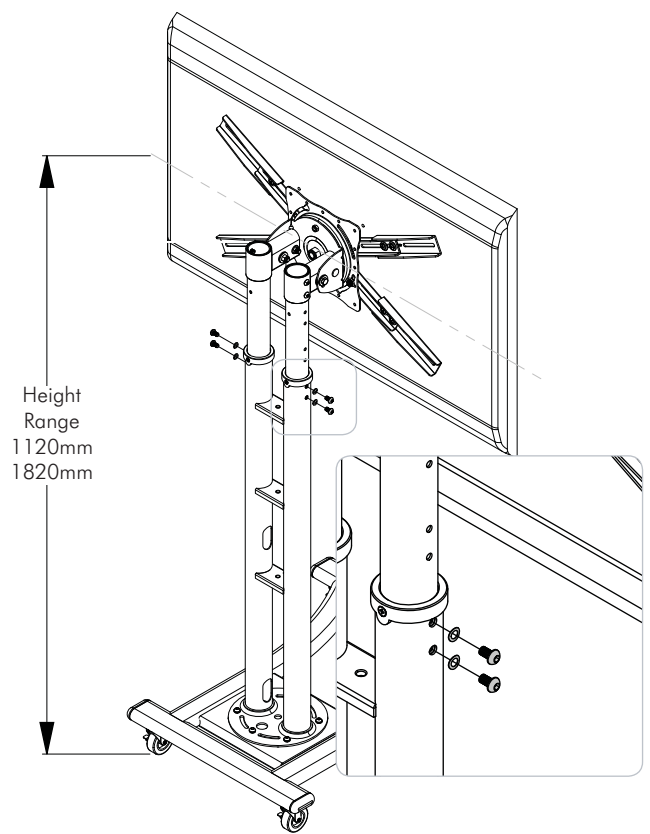


+10°
FORWARD TILT

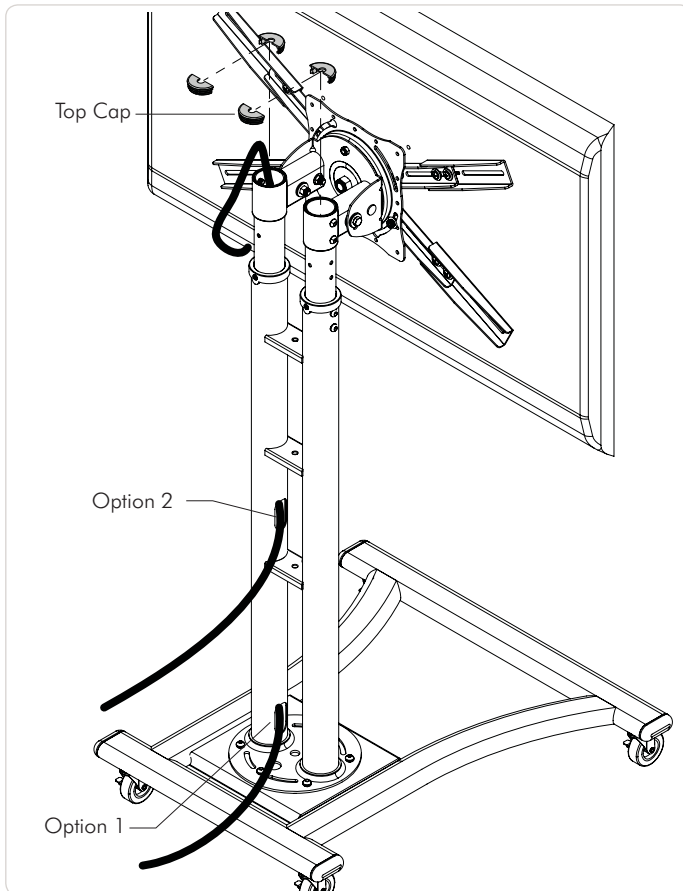


NOTE: Use the two supplied spanner to adjust tension and tilt if necessary.

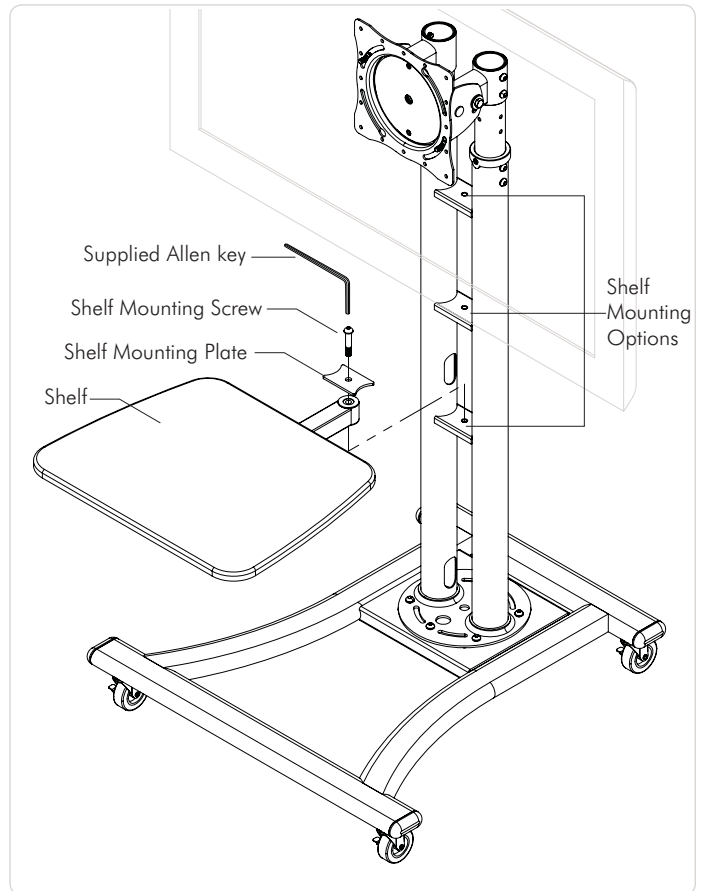
Step 11. Adjust Height



Step 12. Cable Management



Step 13. Attach Shelf



Installation Complete