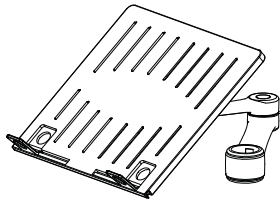
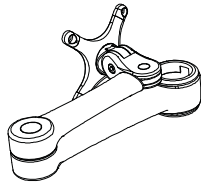


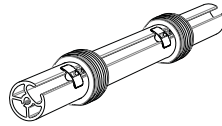
Component Checklist



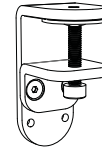
Notebook Tray and Arm Assembly



Arm Assembly

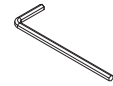


Pole Assembly



Desk Clamp Assembly

HARDWARE



5mm Allen Key

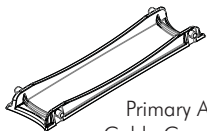
Display Mounting Screws



M4x10/12/16mm (x4)
Phillips Head Mounting Screws

Tools Required:

- Power Drill
- 9mm (0.35") Drill Bit
- Phillips Head Screwdriver



Primary Arm Cable Cover (x2)



Hook & Loop Fasteners (x4 sets)



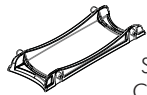
M8 x 60mm Button Head Screw



Cable Stops (x2)



Pole Top Cap



Secondary Arm Cable Cover (x2)



Steel Washer



M8 x 30mm Screw



Cable Clips (x2)



Bolt Through Base

IMPORTANT INFORMATION:

- ! **IMPORTANT - Install Focus Notebook/Monitor Arm Combo as per installation instruction.**
- ! This product supports a maximum load of 8kg (17.6lbs).
- ! The manufacturer accepts no responsibility for incorrect installation.

Step 1. Check Components

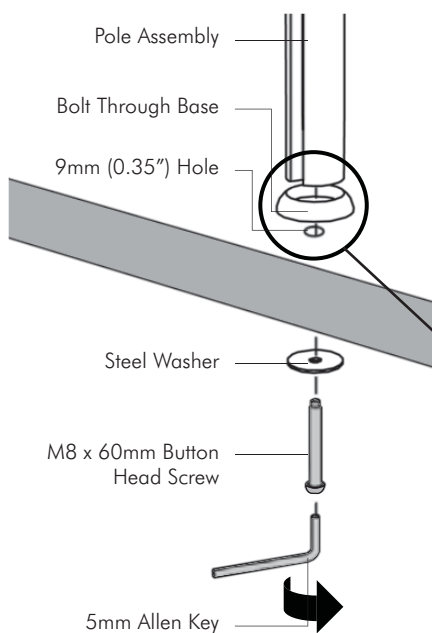
Check what you have received against the component checklist and hardware above.

Step 2. Mount Pole Assembly

Option 1: Bolt Through

1.1 Drill a 9mm (0.35") hole in the work surface in the desired position and assemble as shown below.

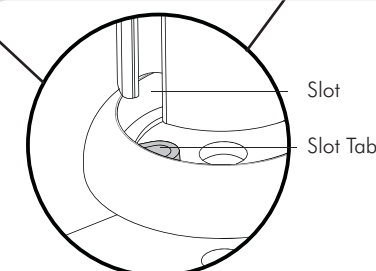
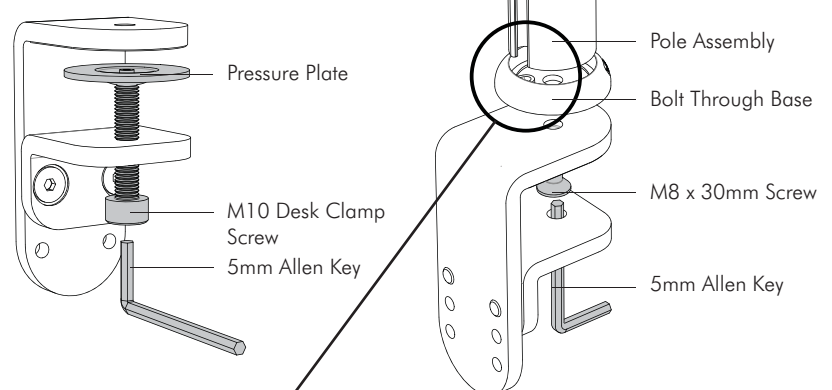
It is recommended that the Pole Assembly be mounted towards the rear edge of the work surface.



Option 2: Mount using Desk Clamp

2.1 Remove both the Pressure plate and M10 Desk Clamp Screw.

2.2 Fasten the Desk Clamp to the Bolt Through Base & Pole Assembly using the M8 x 30mm Screw and **Tighten Firmly.**



Note: Ensure that the Slot Tab in the Bolt Through Base fits snugly into the Slot on the Pole Assembly.

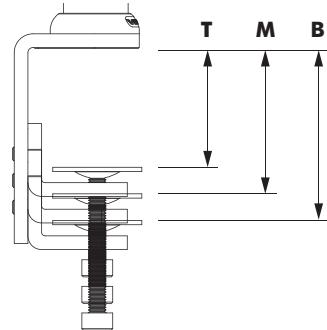
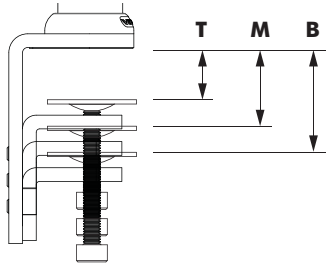
The logo on the Bolt Through Base must face the **front** of this assembly.

Step 2. Mount Pole Assembly (cont.)

2.3 The Desk Clamp bracket can be repositioned to suit different mounting surface thicknesses. The maximum mounting surface thicknesses supported are listed below from the Top to Middle and Bottom Screw Holes.

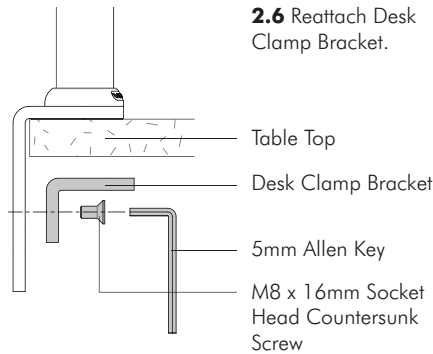
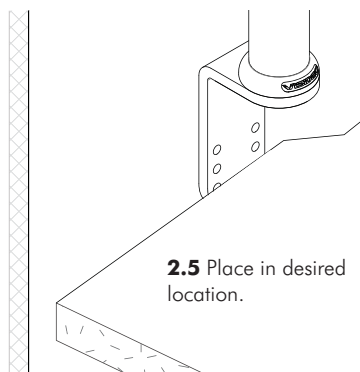
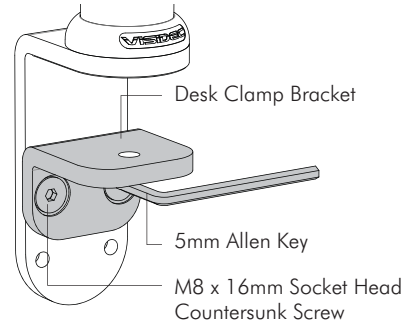
Top 0 - 32mm (default)
Middle 7 - 47mm
Bottom 22 - 62mm

Top 29 - 69mm
Middle 43 - 84mm
Bottom 59 - 99mm

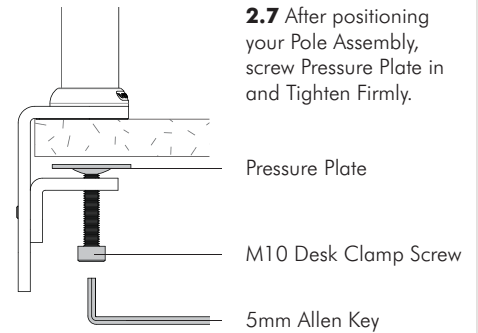


If you need to reposition the desk clamp bracket or you have no access to the rear of your table continue to **Step 2.4**. If you **DO NOT** need to reposition the desk clamp bracket and you have access to the rear of your table skip to **Step 2.7**.

2.4 Remove the M8 x 16mm Socket Head Countersunk Screws to release the Desk Clamp Bracket.

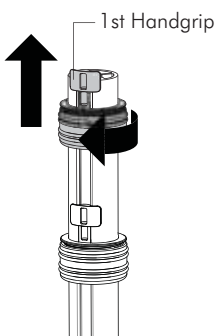


2.6 Reattach Desk Clamp Bracket.

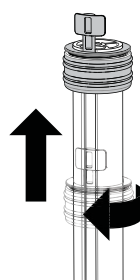


2.7 After positioning your Pole Assembly, screw Pressure Plate in and Tighten Firmly.

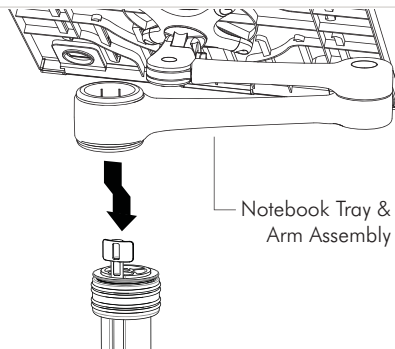
Step 3. Mount Notebook Tray Arm



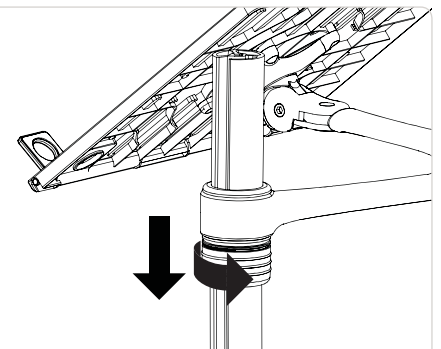
3.1 Unlock 1st Handgrip and remove from Pole Assembly.



3.2 Unlock 2nd Handgrip and raise so that Handgrip Tab protrudes.

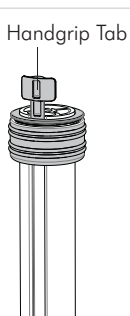


3.3 Slip the Notebook Tray & Arm Assembly over the Handgrip Tab and then onto the Pole.

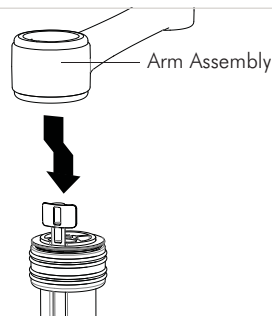


3.4 Slide the Notebook Tray & Arm Assembly and Handgrip down the pole before locking the handgrip at the desired height.

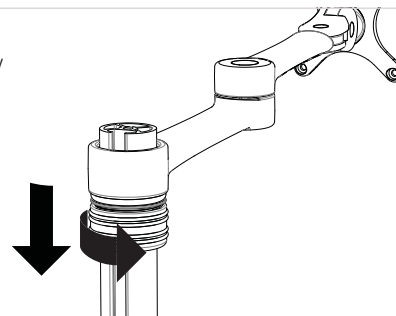
Step 4. Mount Arm Assembly



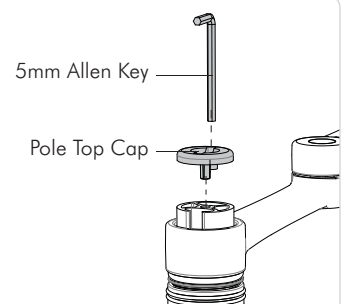
4.1 Reinstall Handgrip so that Handgrip Tab protrudes.



4.2 Slip the Arm Assembly over the Handgrip Tab and then onto the Pole.

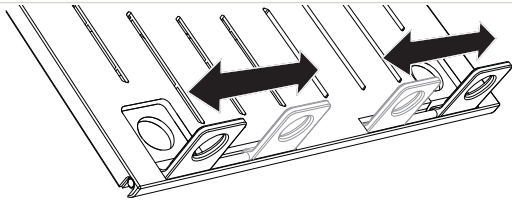


4.3 Slide the Arm Assembly and Handgrip down the pole before locking the handgrip at the desired height.



4.4 Insert Pole Top Cap into Pole. This is also where the Allen Key is stored.

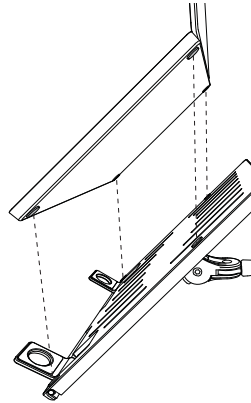
Step 5. Install Notebook



5.1 Adjust the Support Tabs to suit the width of the Notebook Computer ensuring that cable ports are not obstructed.

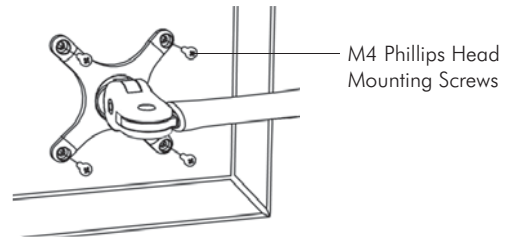
5.2 To increase stability, use the self adhesive Hook-and-Loop Fasteners supplied.

- Peel off the backing paper to the fasteners.
- Attach fasteners to both the Notebook Tray and Computer.
- Ensure that each set of fasteners are correctly aligned i.e. Hook to Loop.

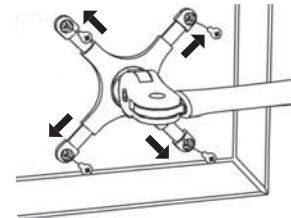


Step 6. Mount Display

Option 1: 75x75mm Hole Pattern

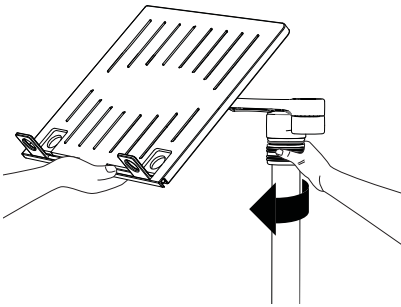


Option 2: 100x100mm Hole Pattern

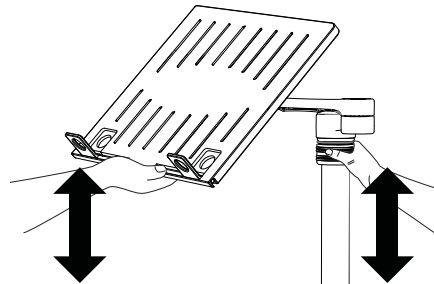


Note: Extend Arms to achieve 100x100mm hole pattern.

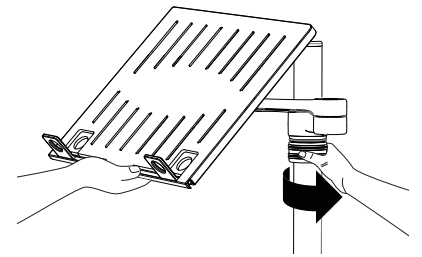
Step 7. Adjust Height



7.1 Unlock Handgrip ensuring Screen or Notebook Tray and Arm Assembly are supported.



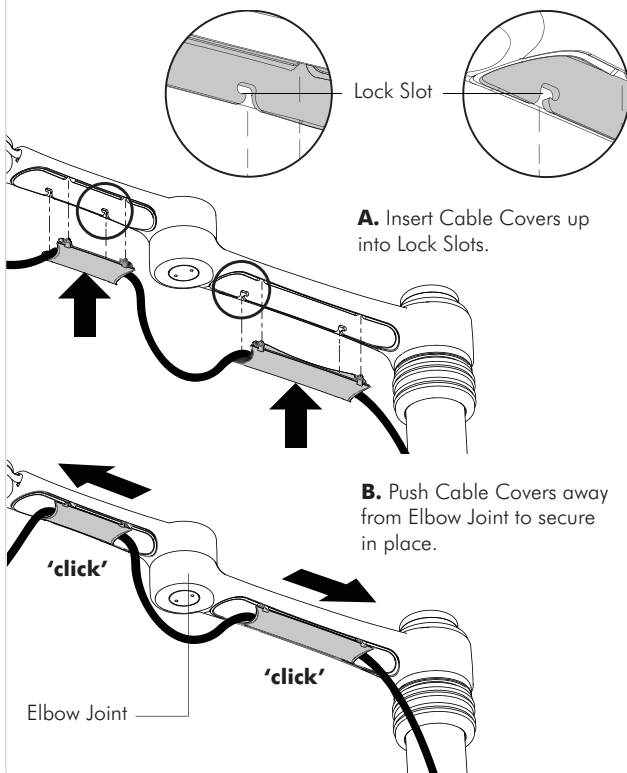
7.2 Lift/Lower Screen or Notebook Tray to the desired height. Move both Screen and Arm assembly together.



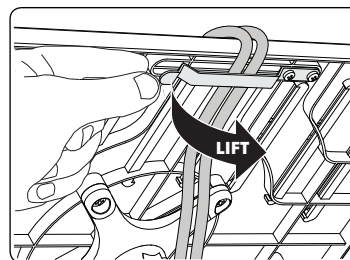
7.3 Lock Handgrip firmly.

Step 8. Cable Management

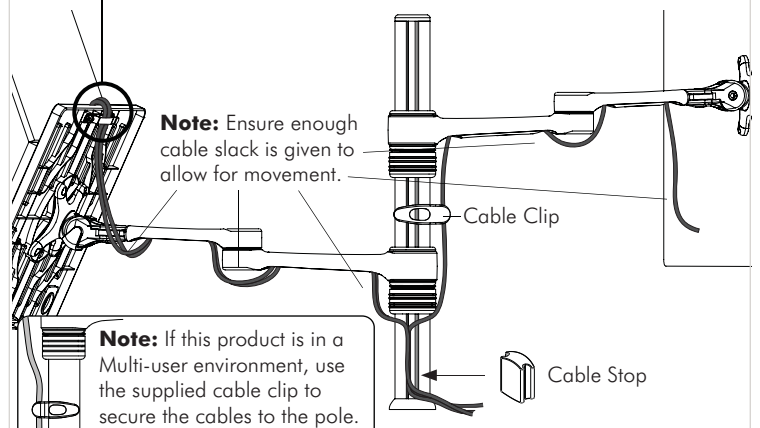
8.1 After plugging in your cables, install the Cable Covers.



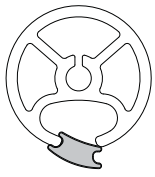
8.2 Cable Clips and Cable Stops can be installed to further manage cables. **Please See Over.**



Note: After connecting the Notebook Cables, route them through the Cable Management Clip on the back of the Notebook Tray.



Step 8.2. Insert Cable Stops



A. Insert Cable Stop on one edge of the Pole Slot.



B. Press down firmly onto the other edge of the Cable Stop and hold. This allows the rear profile to flex in place.



Step 9. Adjusting the Display Bracket

TILT (screen angle up/down)

PAN (screen angle left/right)

TILT (tray angle up/down)

PAN (tray angle left/right)

±5° Horizontal Adjustment

±95° Portrait/Landscape Rotation

Adjust the tilt angle of the Notebook Tray as desired, locking it in position using the 5mm Allen Key.

The height can be adjusted by unlocking the Handgrips (see Step 7). For the optimal position of your display, refer to the Ergonomic Guidelines below.

±25° Tilt

Ergonomic Guidelines

Many experts believe that the extended use of any computer screen has the potential to cause serious injury to your eyes, neck and back. This can be largely avoided by correctly positioning your display.

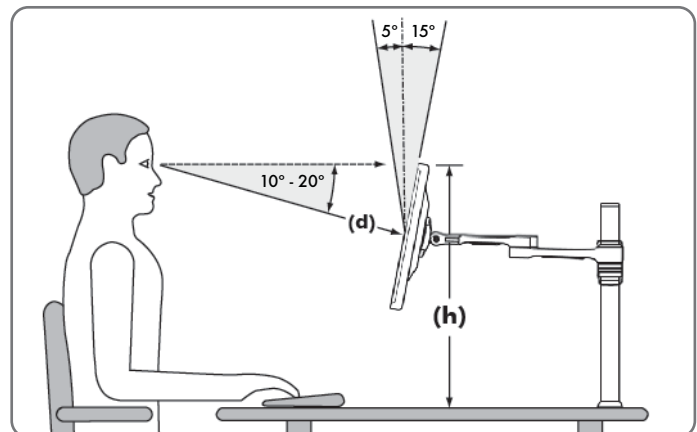
Viewing angle: Ergonomists recommend that the optimal position of your display should be slightly below eye level. When looking at the display's centre the user should have a downward visual angle of approximately 10°-20°.

Height: As a guide, the height (**h**) of your display should approximately be as follows:

- Tall Male (Max): 560mm (22")
- Short Male (Min): 368mm (14.5")
- Tall Female (Max): 520mm (20.5")
- Short Female (Min) 356mm (14")

Distance: For visual comfort, a viewing distance (**d**) between 500mm (20") to 750mm (29.5") is recommended.

Tilt Angle: Angular adjustments to reduce reflection on your monitor should range between 5° forward tilt to 15° backward tilt.



Installation Complete